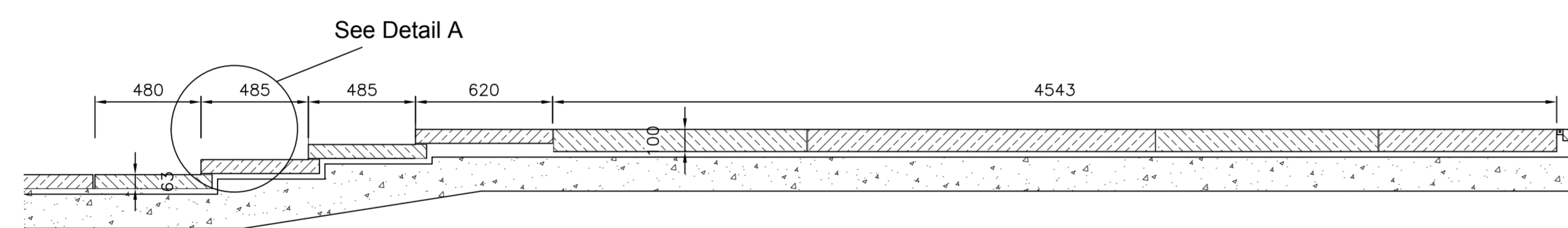


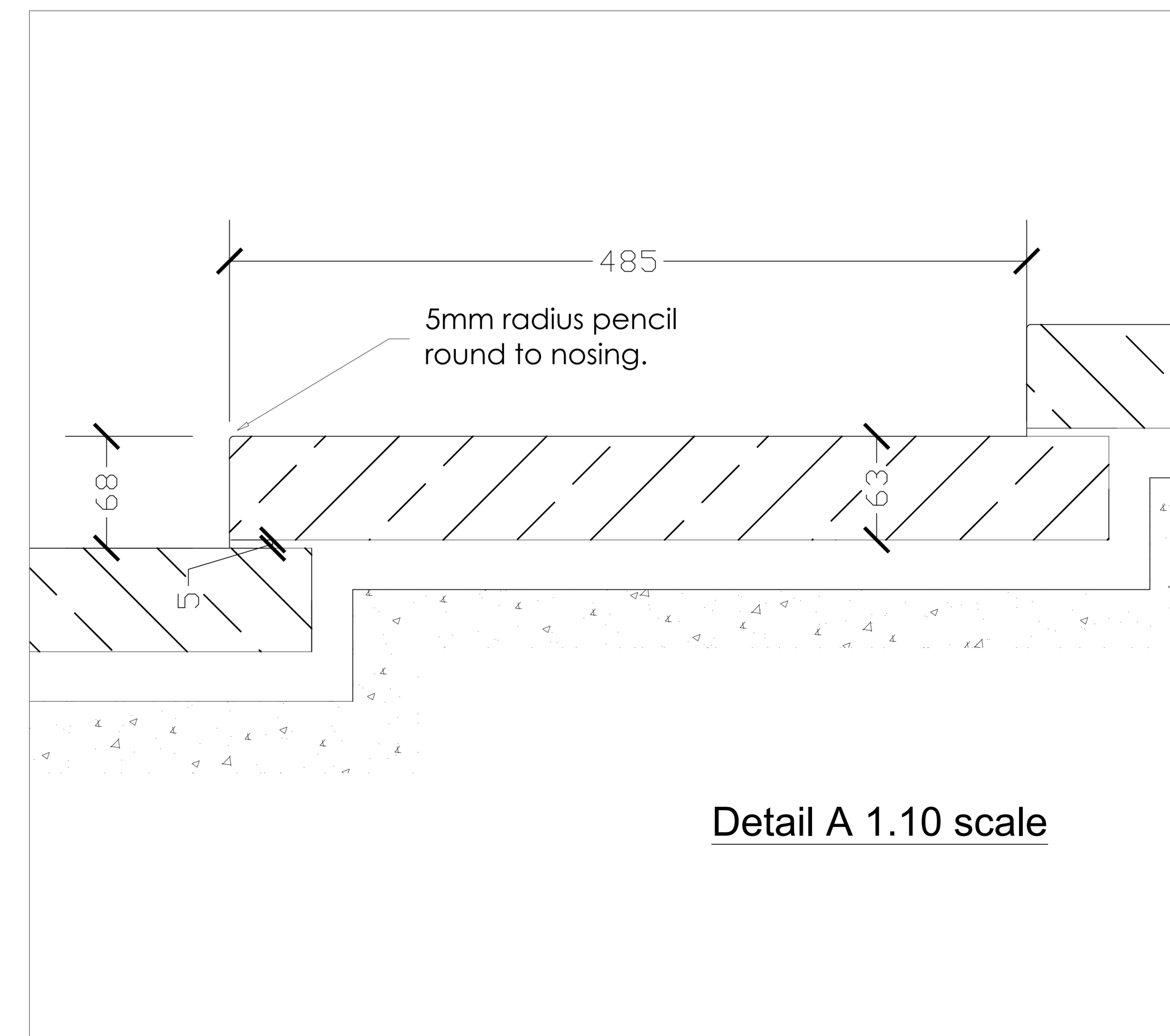
NB: See sizes for quarry consideration in portland stone as specification. Stones to landing were core drilled and found to be 100mm thick, the steps 1-28 change to 63mm thick after site inspection. Joints were measured at 5mm.

NOTE: 10MM BRASS STRIP AT 10MM WIDE TO REPLACE LEAD STRIP.

Key Plan
Scale 1:20



Section through A-A
Scale 1:20



Detail A 1.10 scale

Project: Freemasons hall stone size checklist																					
Stone No	Quantity	Length	Width	Height	Cube	Kg	Stone No	Quantity	Length	Width	Height	Cube	Kg	Stone No	Quantity	Length	Width	Height	Cube	Kg	
1	1	1118	661	63	0.074		21	1	2068	695	63	0.144		41	1	937	608	100	0.057		
2	1	2650	530	63	0.140		22	1	1852	535	63	0.099		42	1	1015	956	100	0.097		
3	1	2543	698	63	0.178		23	1	771	722	63	0.056		43	1	937	608	100	0.057		
4	1	1926	530	63	0.102		24	1	3027	967	63	0.293		44	1	1349	993	100	0.134		
5	1	1926	530	63	0.102		25	1	1603	620	63	0.099		45	1	956	623	100	0.060		
6	1	2543	698	63	0.178		26	1	2255	620	63	0.140		46	1	1349	993	100	0.134		
7	1	2650	530	63	0.140		27	1	1603	620	63	0.099		47	1	488	356	100	0.017		
8	1	1118	661	63	0.074		28	1	3027	967	63	0.293		48	1	2703	804	100	0.217		
9	1	2067	817	63	0.169		29	1	1778	1550	100	0.276		49	1	488	356	100	0.017		
10	1	1844	694	63	0.128		30	1	1144	1144	100	0.131							#####		
11	1	2352	535	63	0.126		31	1	2703	1144	100	0.309							#####		
12	1	2255	535	63	0.121		32	1	1144	1144	100	0.131							#####		
13	1	2352	535	63	0.126		33	1	1778	1550	100	0.276							#####		
14	1	1844	694	63	0.128		34	1	1174	2612	100	0.307							#####		
15	1	2067	817	63	0.169		35	1	1582	828	100	0.131							#####		
16	1	771	722	63	0.056		36	1	946	613	100	0.058							#####		
17	1	1852	535	63	0.099		37	1	1666	610	100	0.102							#####		
18	1	2068	695	63	0.144		38	1	946	613	100	0.058							#####		
19	1	1926	535	63	0.103		39	1	1582	828	100	0.131							#####		
20	1	1926	535	63	0.103		40	1	2612	1174	100	0.307							#####		
					0.000							0.000								0.000	

REVISIONS	DATE	
A	treads changed in thickness NOTES Revised	18-7-16

 C. J. LOWLEY ARCHITECTURAL DESIGN CONSULTANT 79 BRACKENDALE AVE. BASILDON, ESSEX. SS13 3BE MOB: 07730339125		
project	Freemasons hall	
title	New stonework to steps	
NOTES:		
drawn	CJ LOWLEY	
date	JUNE 2016	
scale	1:10 @AD	
Contract no.	draw. no.	rev.
	FM01	A