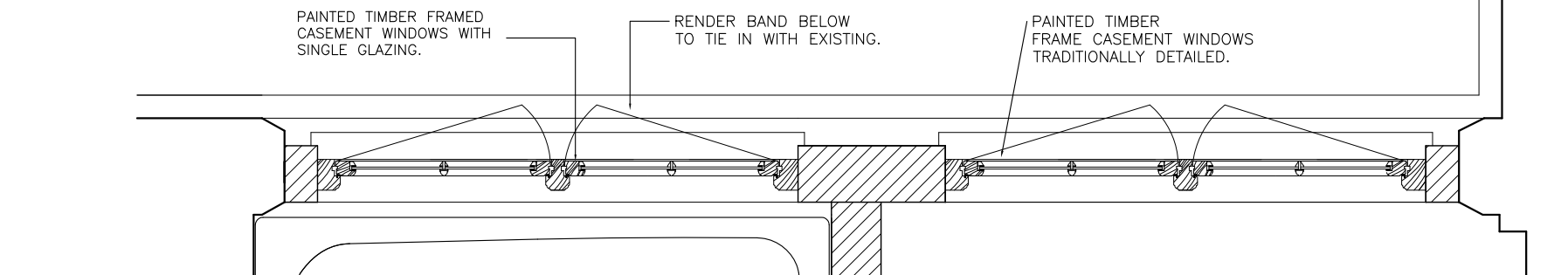


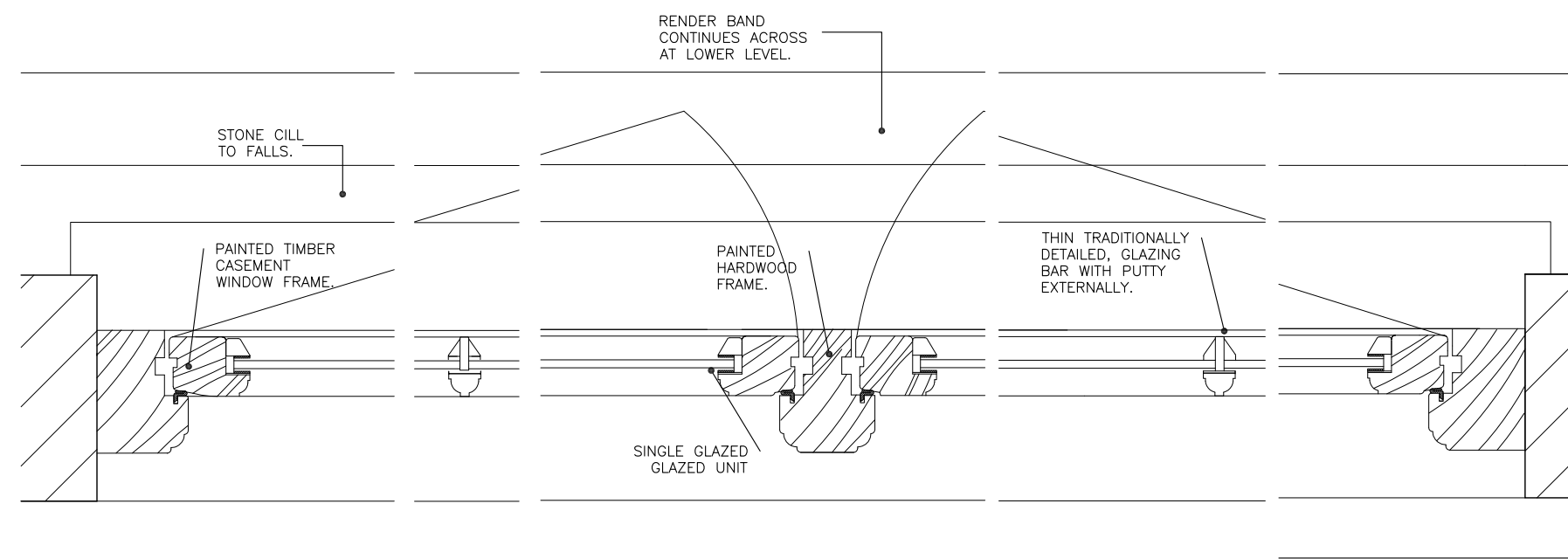
01 BEDROOM & BATHROOM WINDOWS SECTION DETAIL

057 1:5



02 BEDROOM & BATHROOM WINDOWS PLAN

057 1:20



03 BEDROOM & BATHROOM WINDOWS DETAIL

057 1:5



04 BEDROOM & BATHROOM WINDOWS ELEVATION

057 1:100

No.	Revision	Date
A	Window unit adjusted to contain single glazing.	19.07.16

PLANNING

JL Project

73 Eton Avenue

JL Drawing Title

**PROPOSED
BEDROOM/BATHROOM
INFILL WINDOW DETAILS**

Scale	Date	Dwn	MT
1:5@A3	20/05/16		
Drawing No.	748_057	Rev.	A

CAD Ref.
DO NOT SCALE - ALL DIMENSIONS TO BE CHECKED ON SITE - THIS DRAWING IS COPYRIGHT