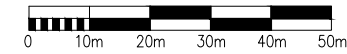


Ordnance Survey, (c) Crown Copyright 2016. All rights reserved. Licence number 100022432



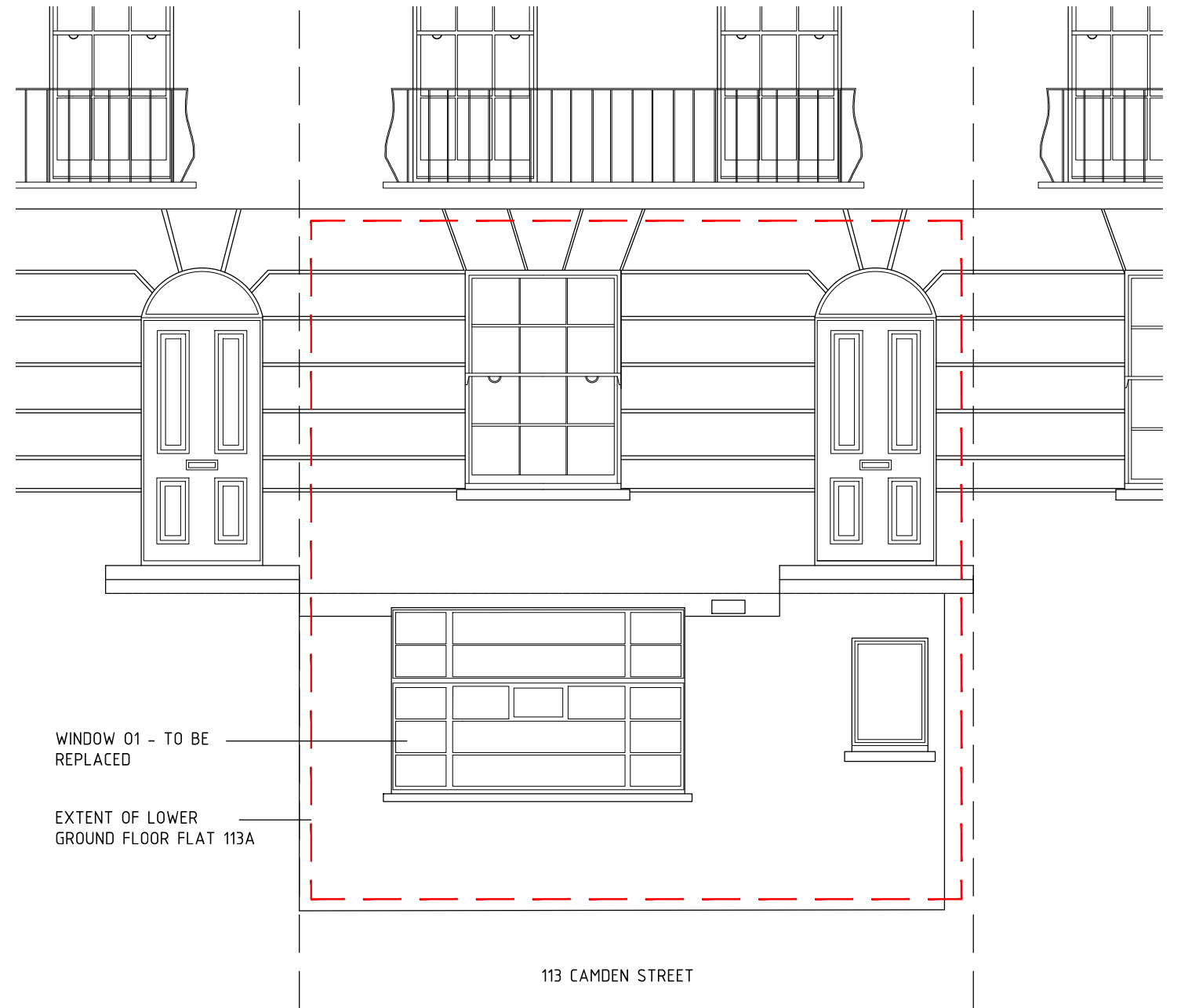
2 magdalen mews
back of 164 finchley road
london
NW3 5HB
tel:+44 (0)207 794 1625 fax:+44 (0) 207 794 0296
info@as-studio.co.uk

PROJECT ADDRESS:
113A CAMDEN STREET,
NW1 0HX LONDON
CLIENT NAME:
-

LOCATION PLAN		
DRAWING NO: 2113A(PLA)001	DWG FILE: 2113A(PLA)100-400	
PROJECT STAGE: PLANNING	DRAWN: TK	
VERSION:	SCALE: 1:1250/1:500	SIZE: A3
		DATE: MAY 2016



FRONT ELEVATION

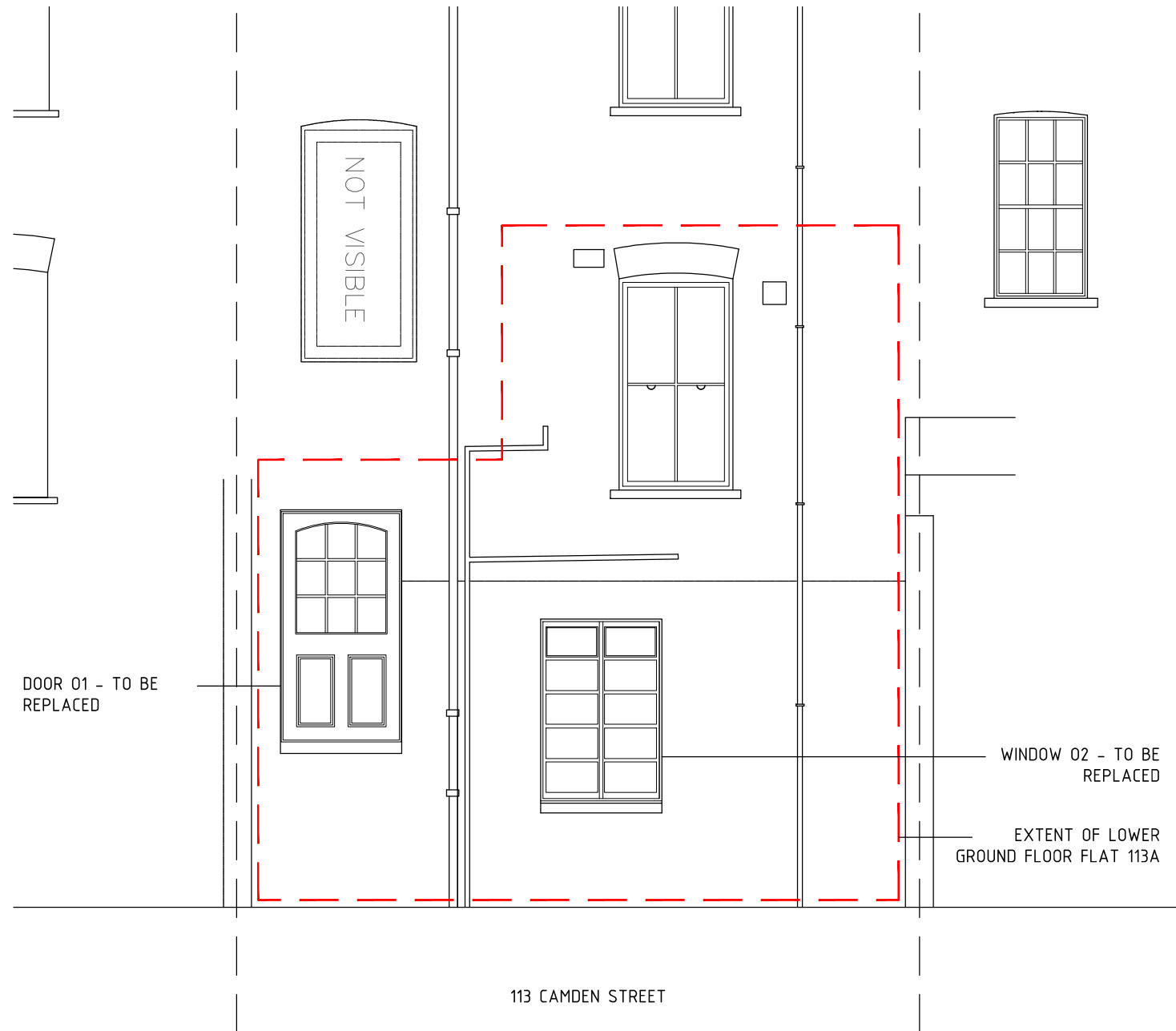


113 CAMDEN STREET

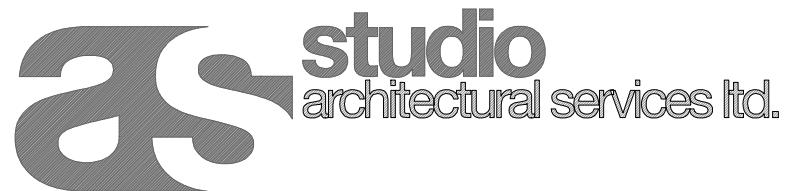


2 magdalen mews
back of 164 finchley road
london
NW3 5HB
tel:+44 (0)207 794 1625 fax:+44 (0) 207 794 0296
info@as-studio.co.uk

PROJECT ADDRESS: 113A CAMDEN STREET, NW1 0HX LONDON	EXISTING FRONT ELEVATION		•
CLIENT NAME: -	DRAWING NO: 2113A(PLA)200	DWG FILE: 2113A(PLA)100-400	
	PROJECT STAGE: PLANNING	DRAWN: TK	
	VERSION:	SCALE: 1:100/1:50	SIZE: A3
			DATE: MAY 2016



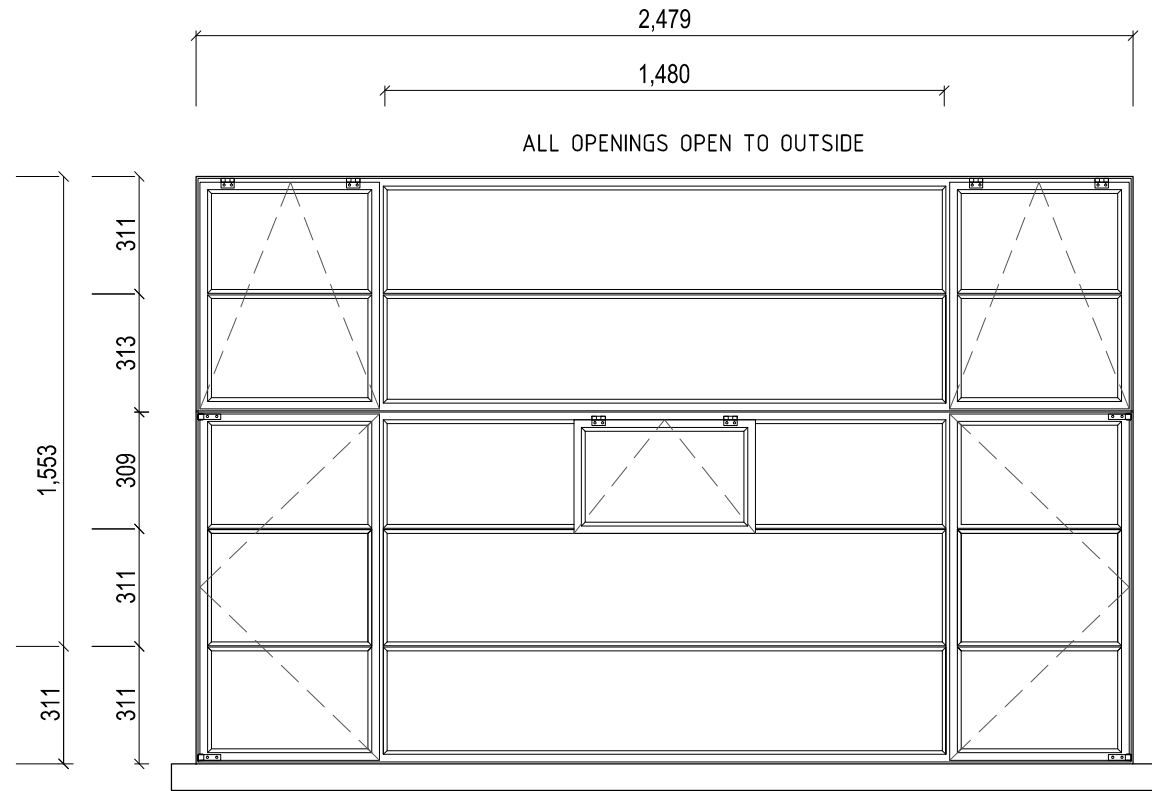
REAR ELEVATION



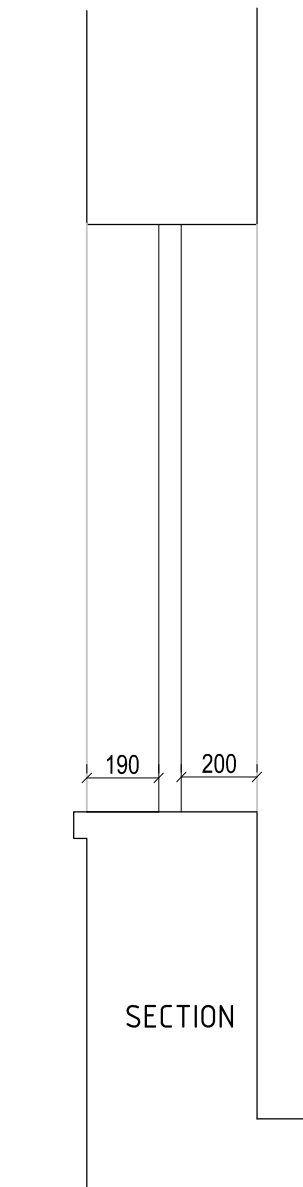
2 magdalen mews
back of 164 finchley road
london
NW3 5HB
tel:+44 (0)207 794 1625 fax:+44 (0) 207 794 0296
info@as-studio.co.uk

PROJECT ADDRESS: 113A CAMDEN STREET, NW1 0HX LONDON	EXISTING REAR ELEVATION		DATE: MAY 2016
	DRAWING NO: 2113A(PLA)201	DWG FILE: 2113A(PLA)100-400	
CLIENT NAME: -	PROJECT STAGE: PLANNING	DRAWN: TK	
	VERSION:	SCALE: 1:100/1:50	SIZE: A3

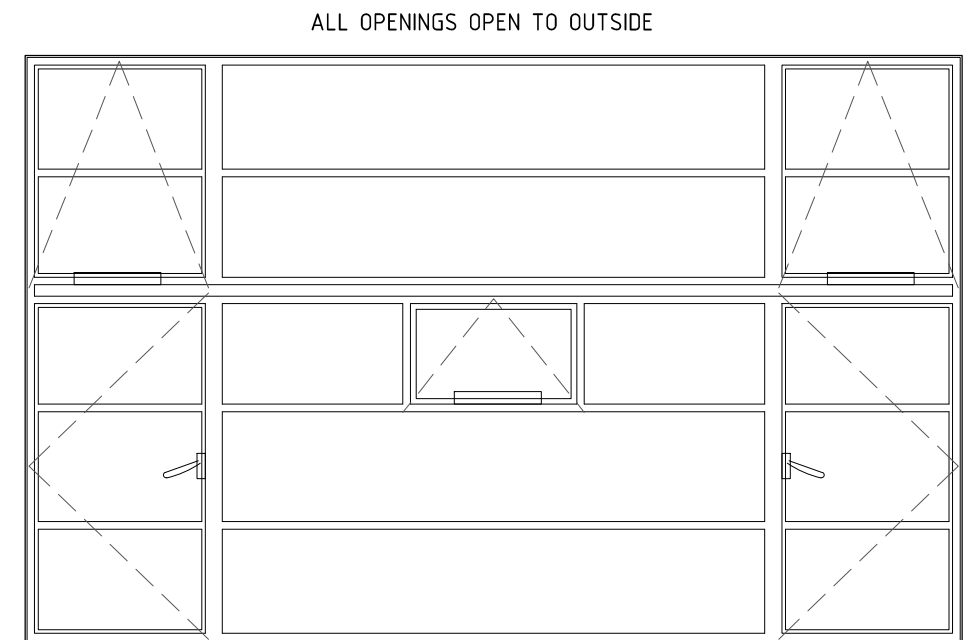
FRONT ELEVATION - LOWER GROUND FLOOR EXISTING WINDOW , METAL WORK



EXTERNAL ELEVATION
WINDOW 01



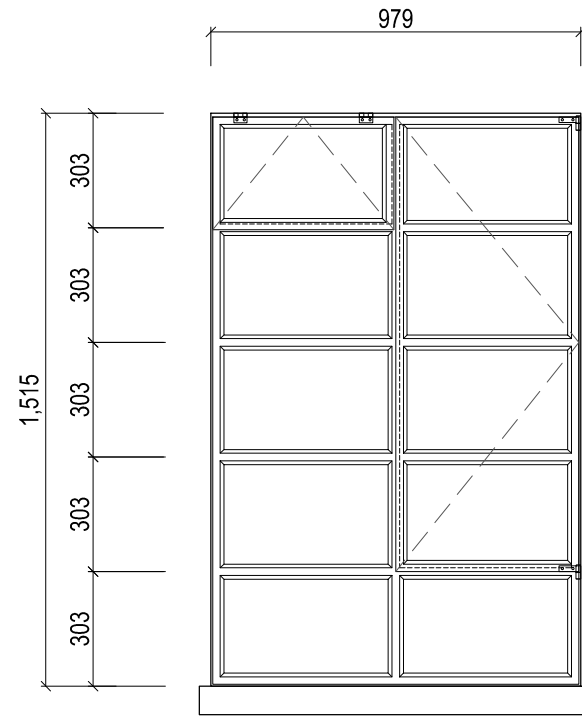
SECTION



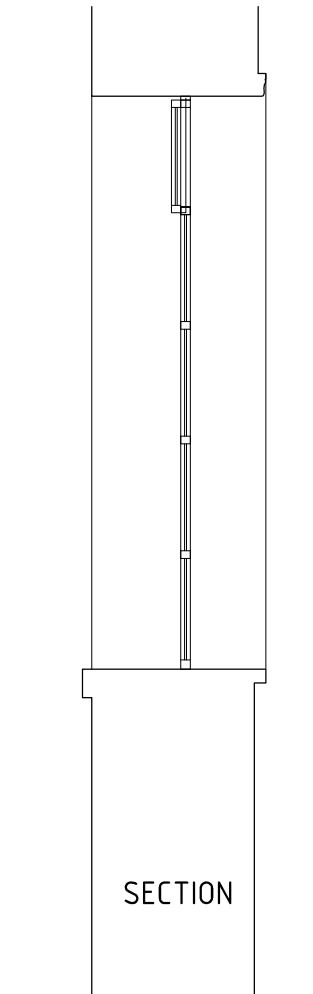
INTERNAL ELEVATION
WINDOW 01



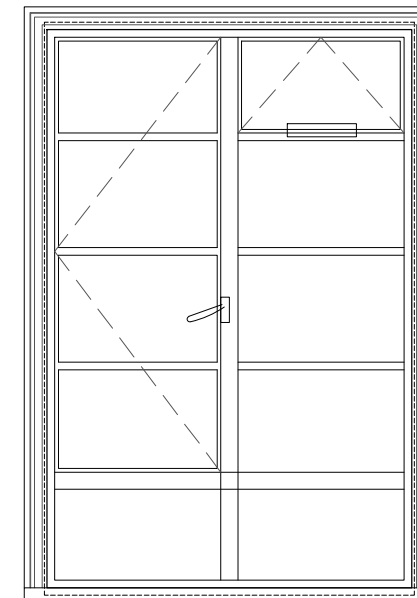
REAR ELEVATION - LOWER GROUND FLOOR EXISTING WINDOW 02 , METAL WORK



EXTERNAL ELEVATION
WINDOW 02



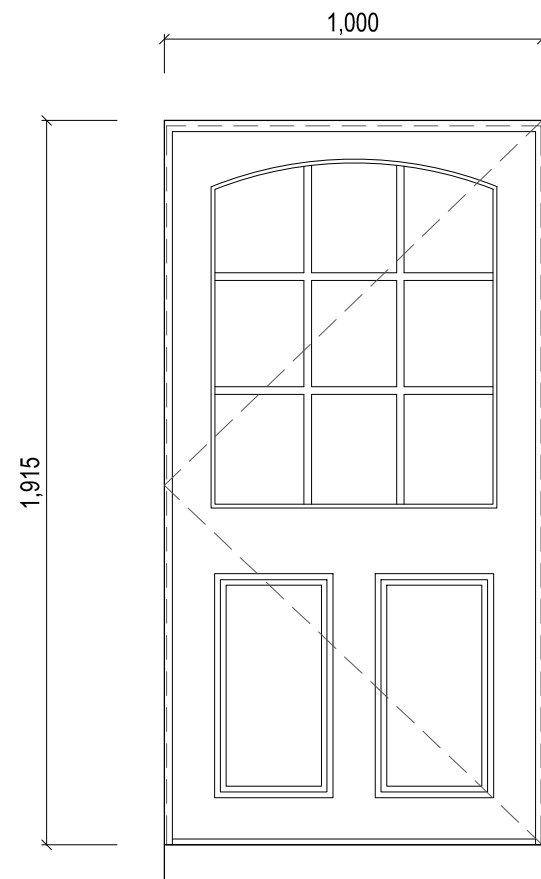
SECTION



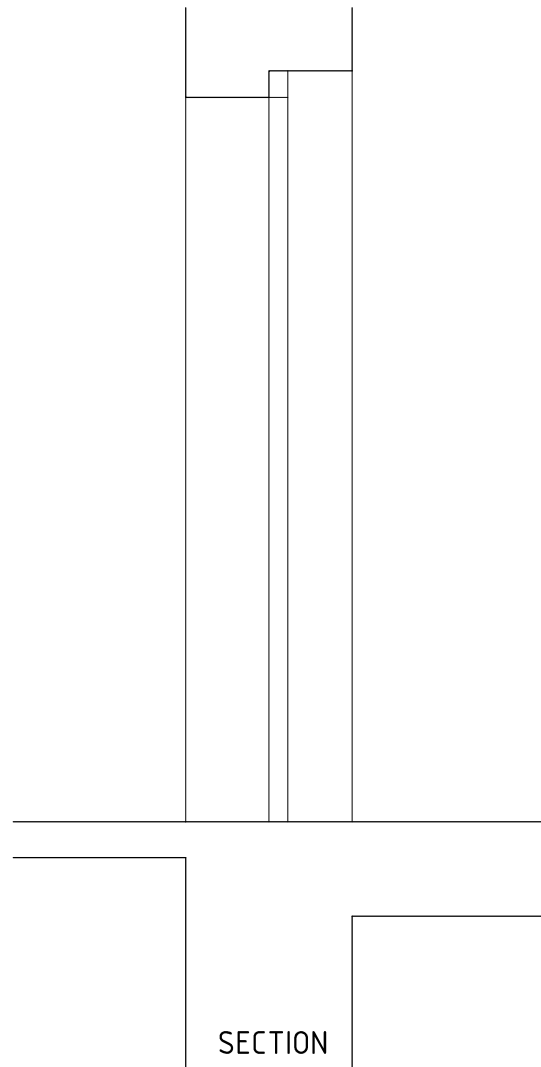
INTERNAL ELEVATION
WINDOW 02



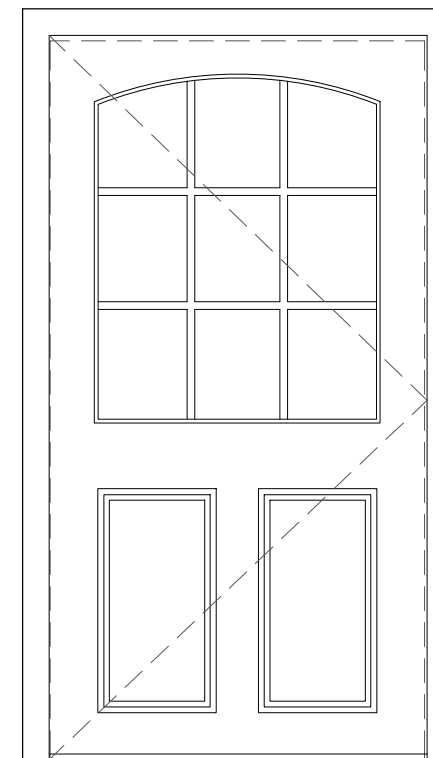
REAR ELEVATION - LOWER GROUND FLOOR EXISTING DOOR 01 , PAINTED TIMBER



EXTERNAL ELEVATION
DOOR 01



SECTION



INTERNAL ELEVATION
DOOR 01





0.50m 0.00m 1.0m 2.0m 3.0m 4.0m 5.0m

FRONT ELEVATION



NEW WINDOW 01

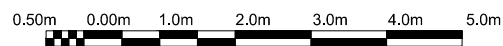
EXTENT OF LOWER
GROUND FLOOR FLAT 113A

0.50m 0.00m 1.0m 2.0m 3.0m

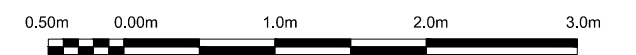
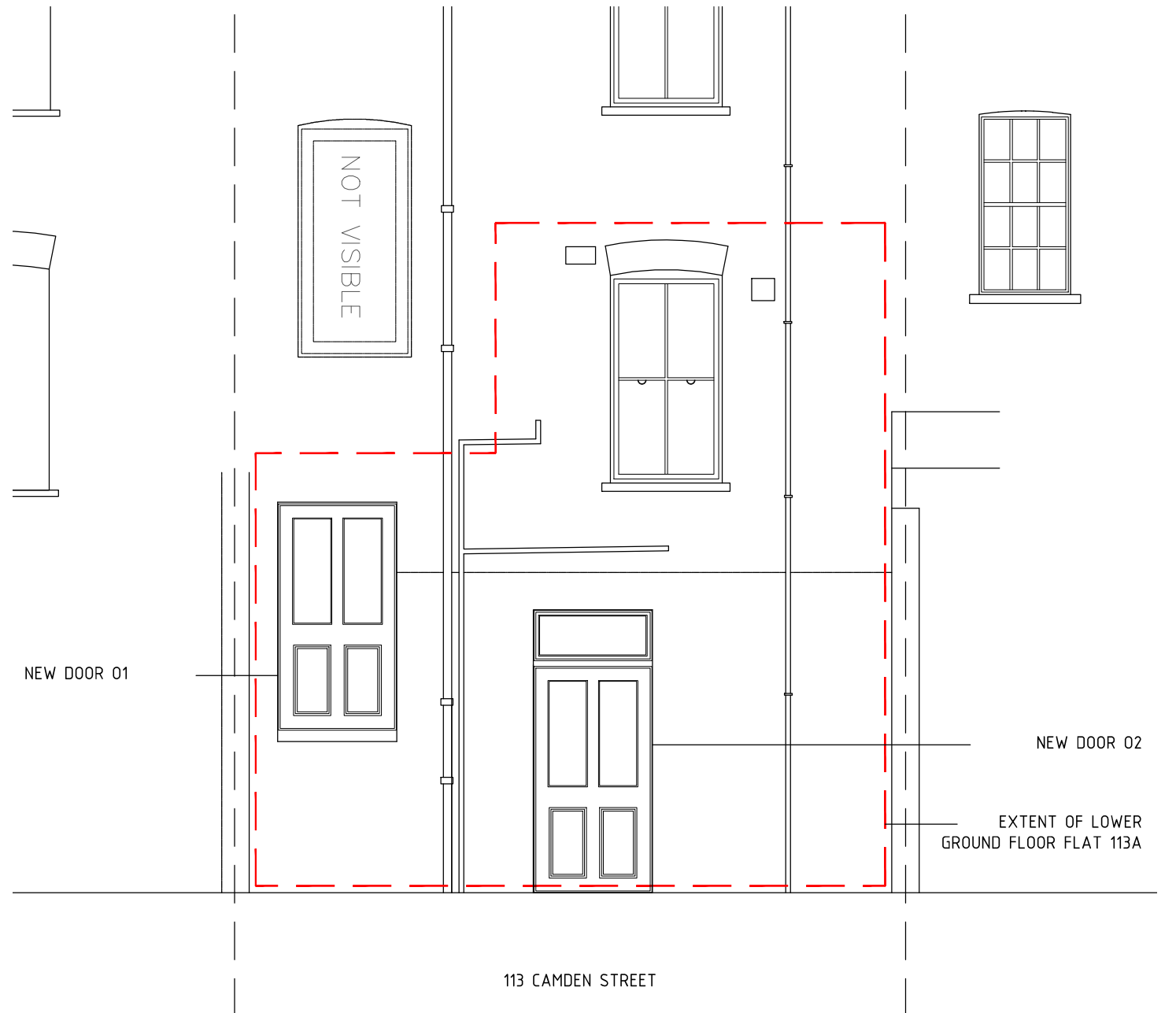


2 magdalen mews
back of 164 finchley road
london
NW3 5HB
tel:+44 (0)207 794 1625 fax:+44 (0) 207 794 0296
info@as-studio.co.uk

PROJECT ADDRESS: 113A CAMDEN STREET, NW1 0HX LONDON	PROPOSED FRONT ELEVATION		DATE: MAY 2016
	DRAWING NO: 2113A(PLA)210	DWG FILE: 2113A(PLA)100-400	
CLIENT NAME: -	PROJECT STAGE: PLANNING	DRAWN: TK	DATE: MAY 2016
	VERSION:	SCALE: 1:100/1:50 SIZE: A3	



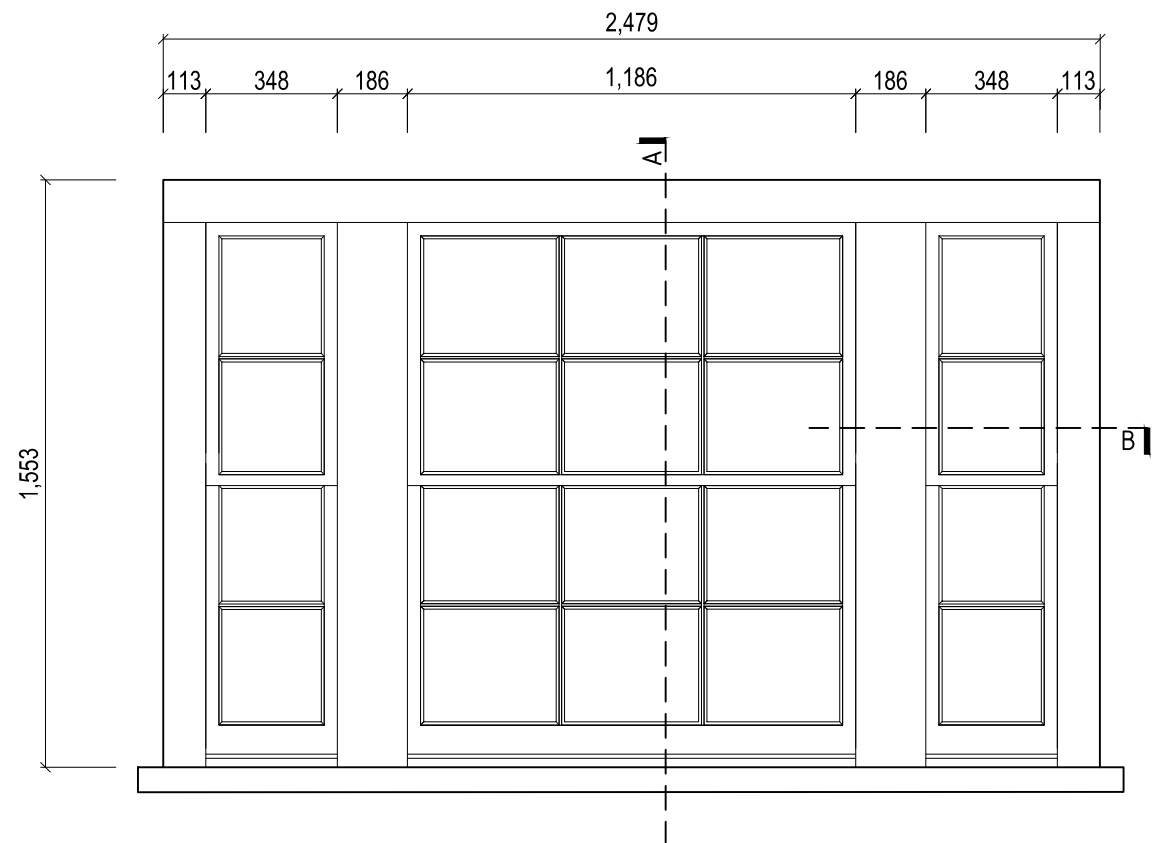
REAR ELEVATION



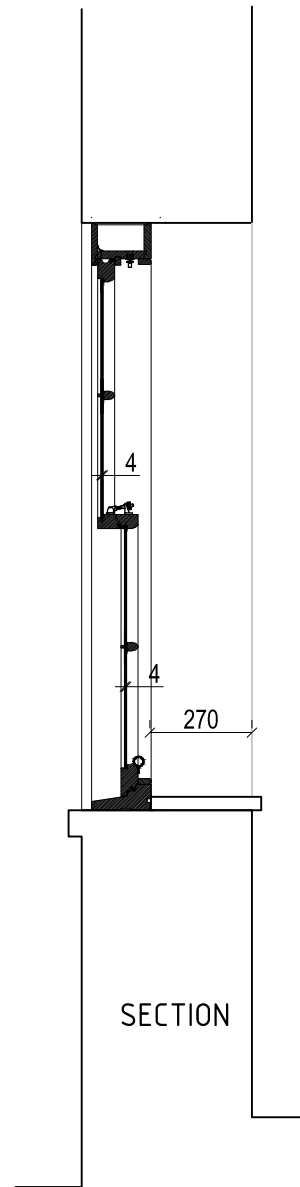
2 magdalen mews
back of 164 finchley road
london
NW3 5HB
tel:+44 (0)207 794 1625 fax:+44 (0) 207 794 0296
info@as-studio.co.uk

PROJECT ADDRESS: 113A CAMDEN STREET, NW1 0HX LONDON	PROPOSED REAR ELEVATION			•
	DRAWING NO: 2113A(PLA)211	DWG FILE: 2113A(PLA)100-400		
	CLIENT NAME: -	PROJECT STAGE: PLANNING	DRAWN: TK	
	VERSION:	SCALE: 1:100/1:50	SIZE: A3	DATE: MAY 2016

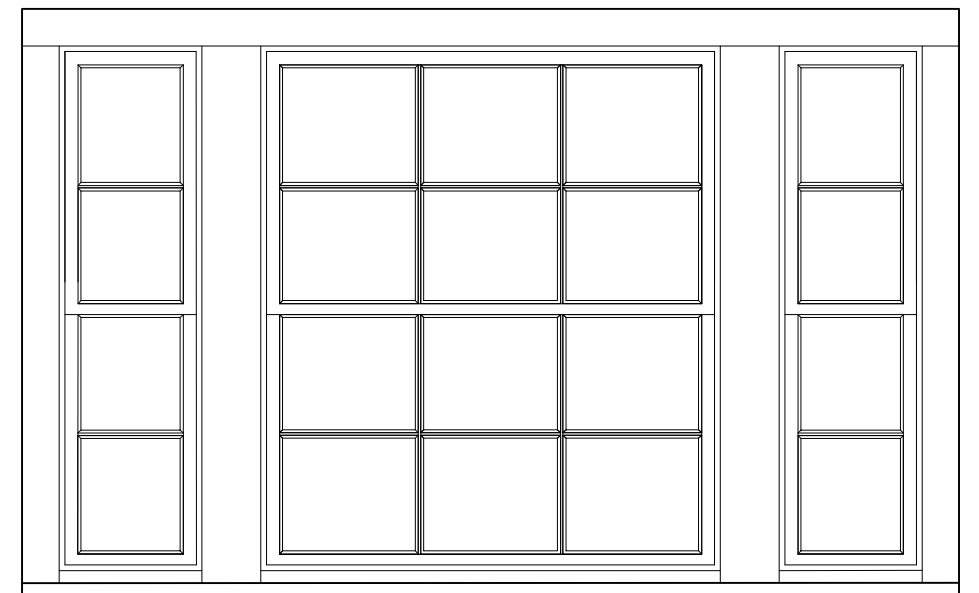
FRONT ELEVATION - LOWER GROUND FLOOR PROPOSED WINDOW , PAINTED TIMBER



EXTERNAL ELEVATION
WINDOW 01

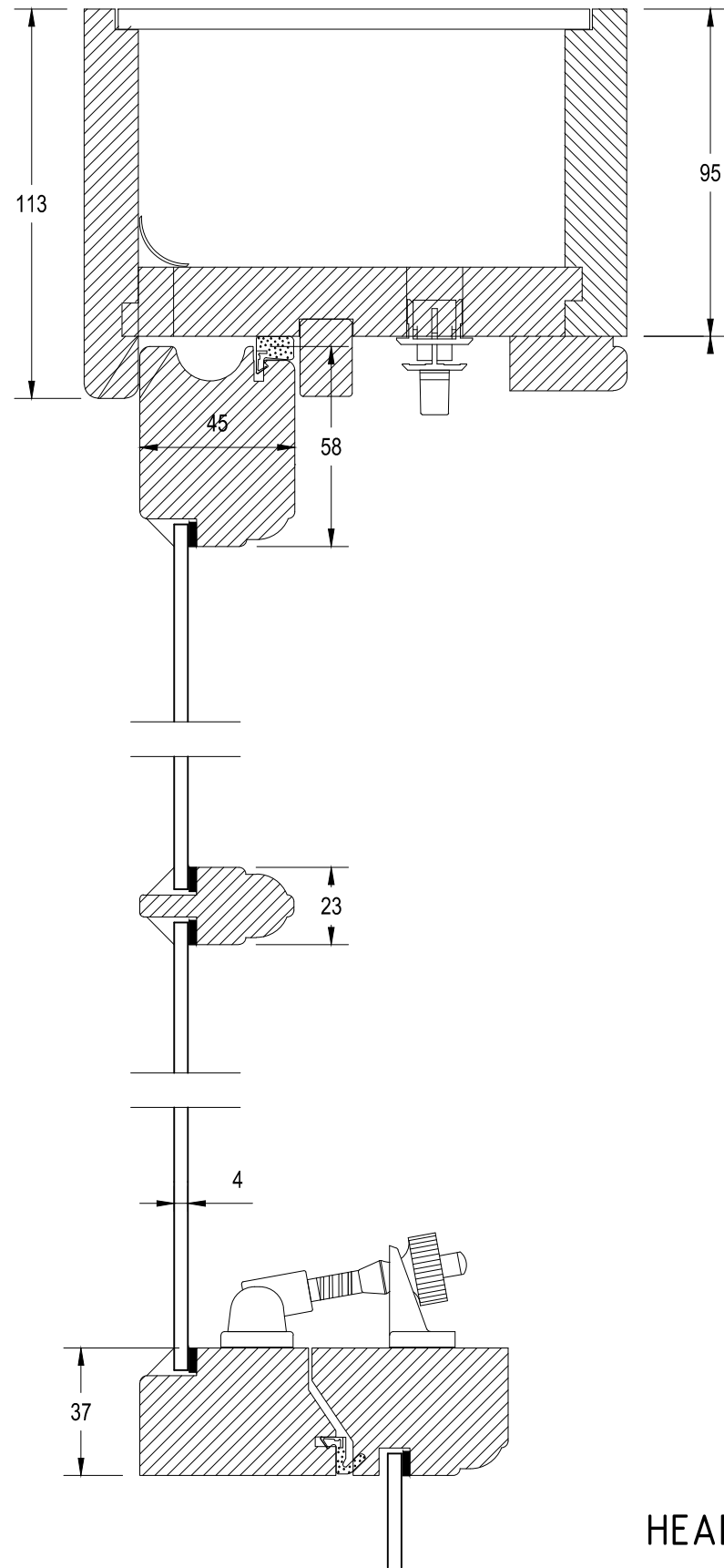


SECTION

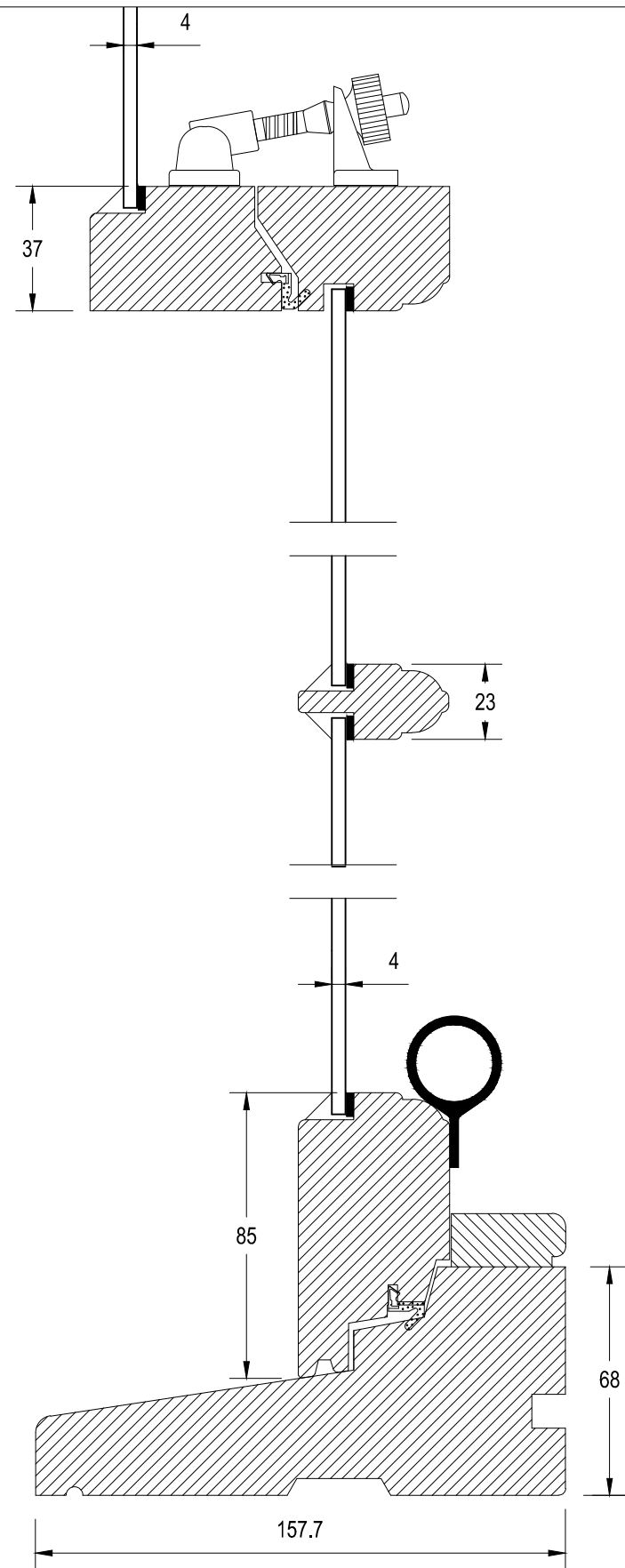


INTERNAL ELEVATION
WINDOW 01



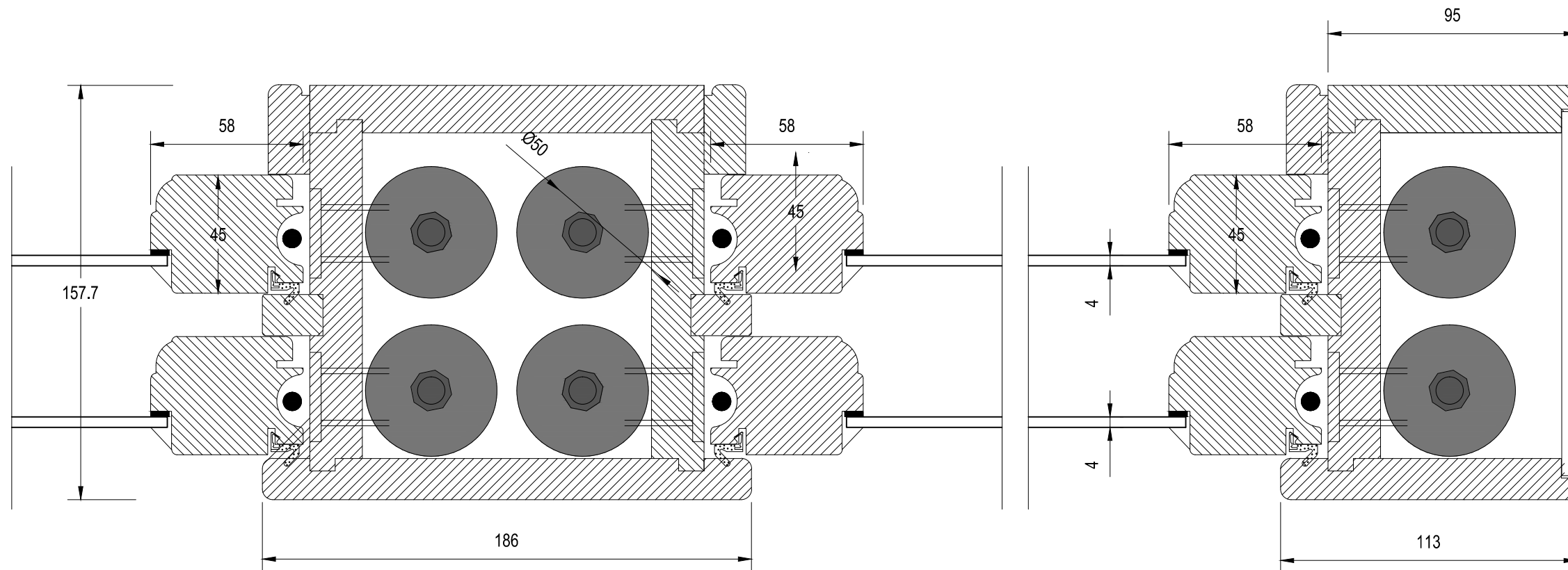


HEAD DETAIL



SILL DETAIL



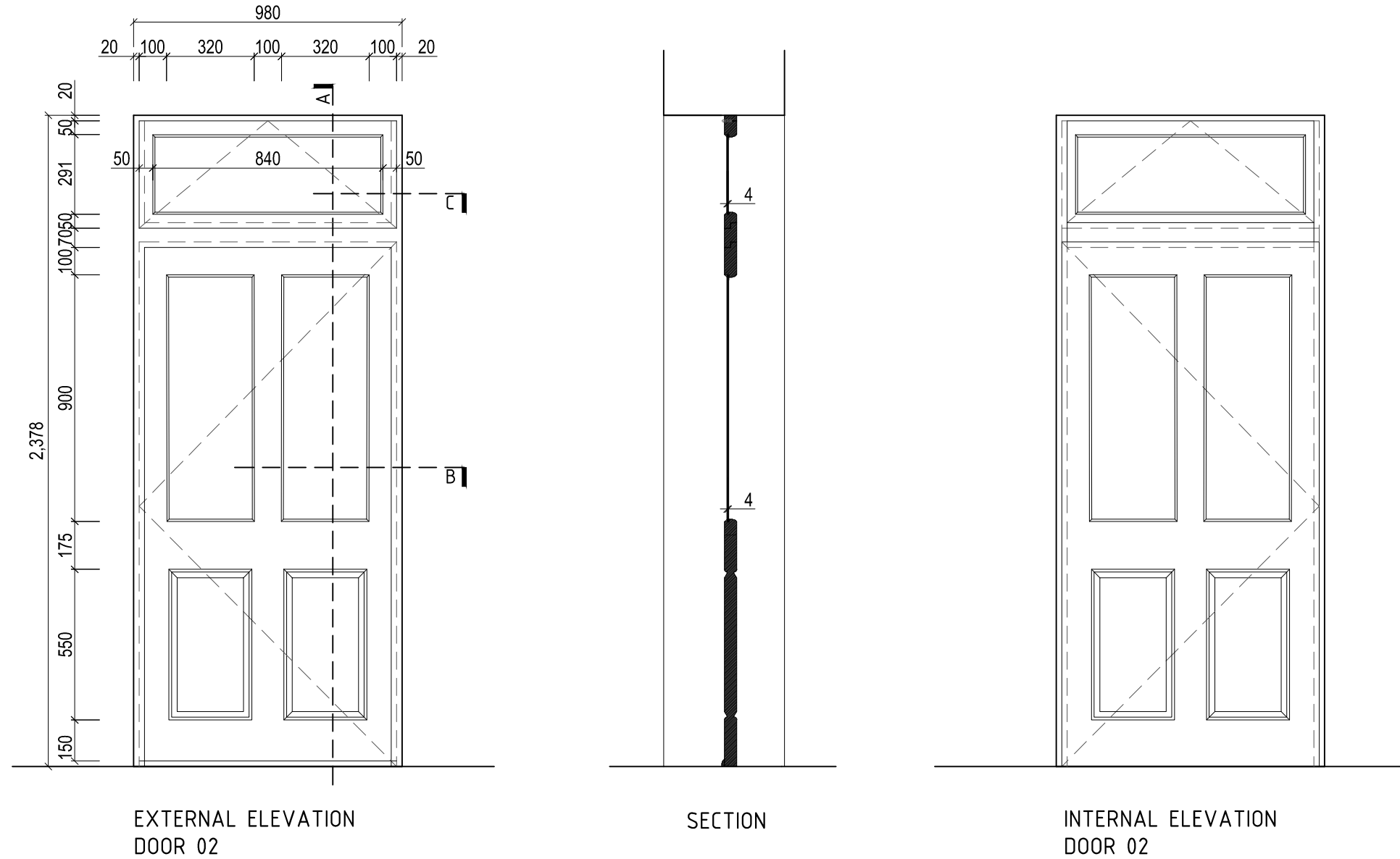


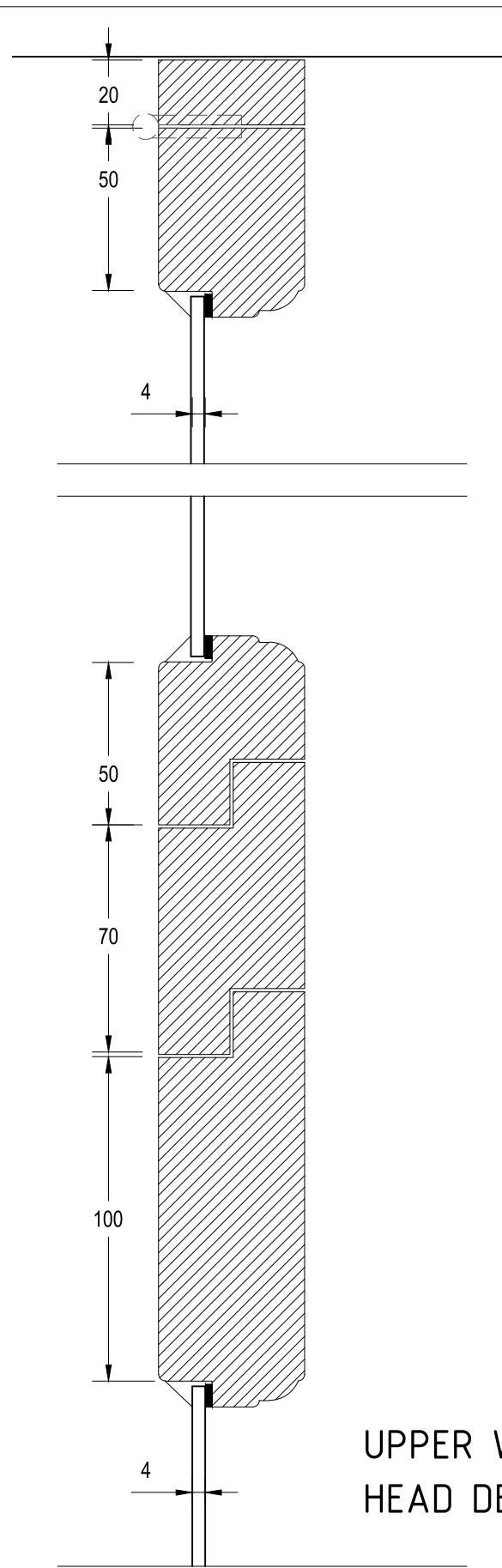
BOX MULLION DETAIL

JAMB DETAIL

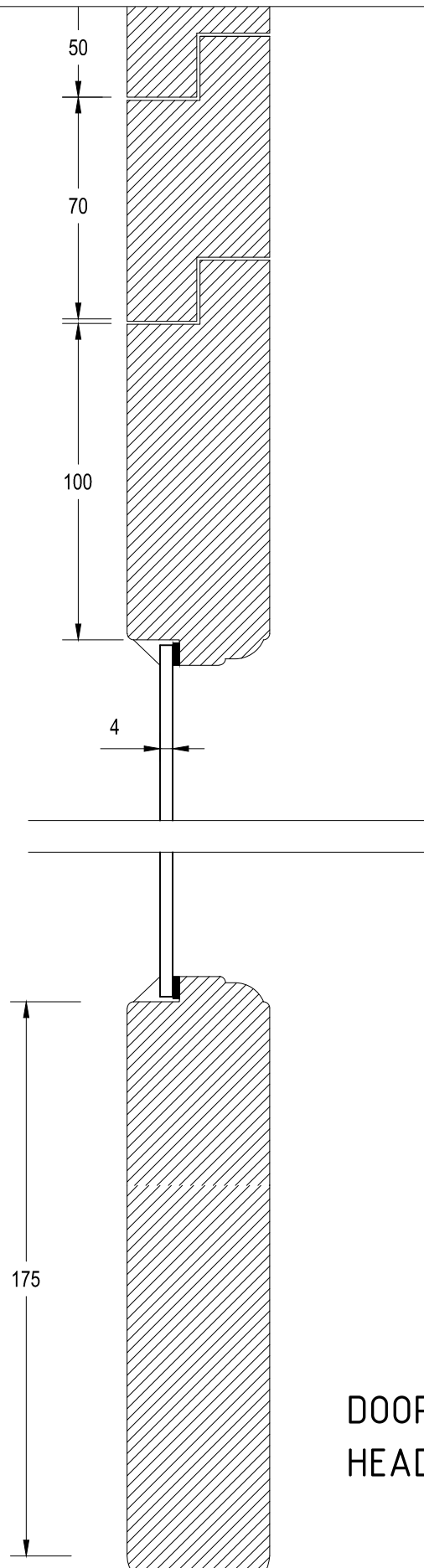


REAR ELEVATION - LOWER GROUND FLOOR PROPOSED DOOR 02 , PAINTED TIMBER

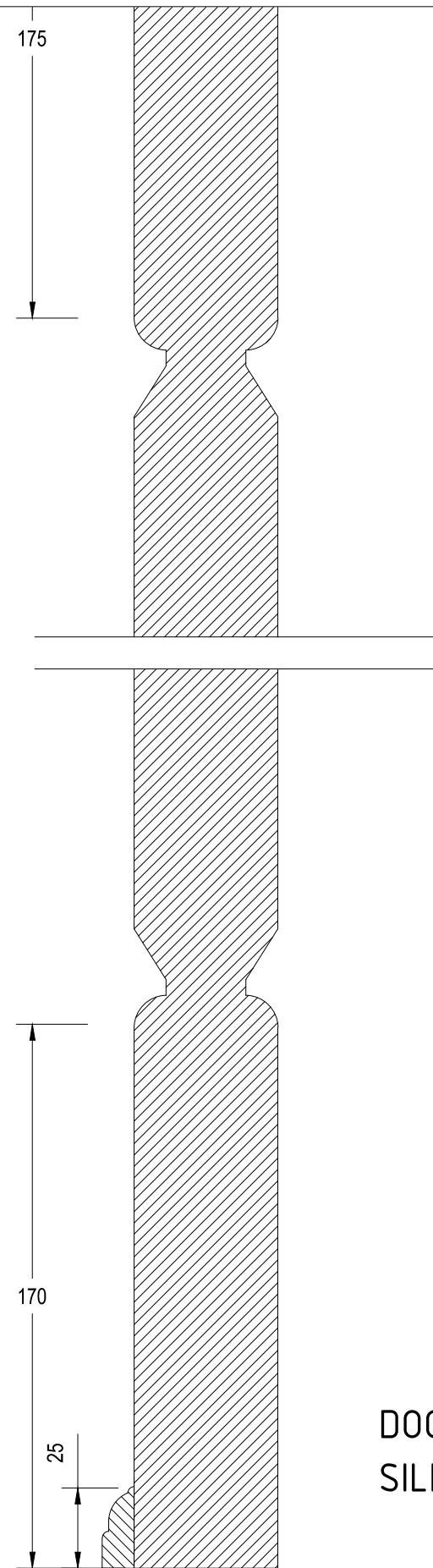




UPPER WINDOW
HEAD DETAIL

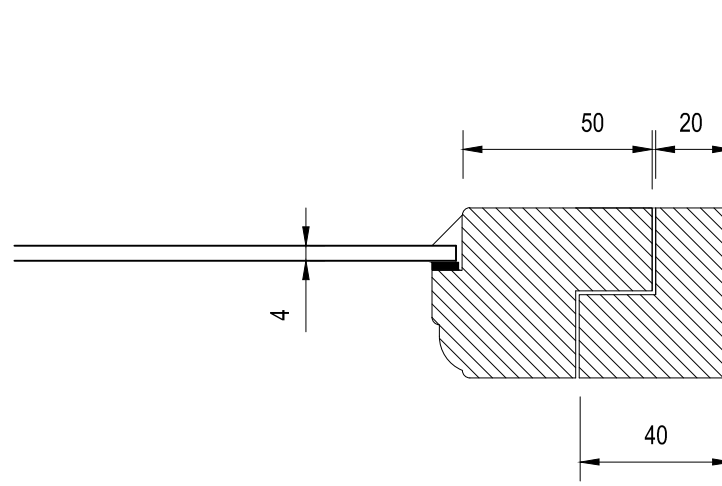


DOOR
HEAD DETAIL



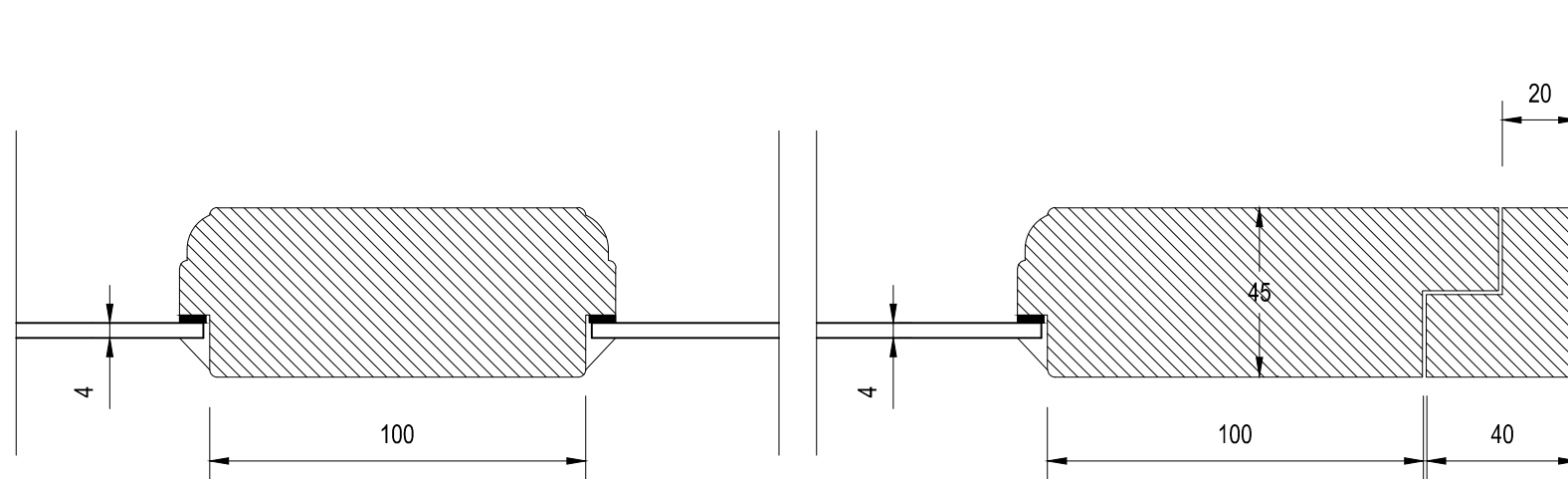
DOOR
SILL DETAIL





JAMB DETAIL

SECTION C



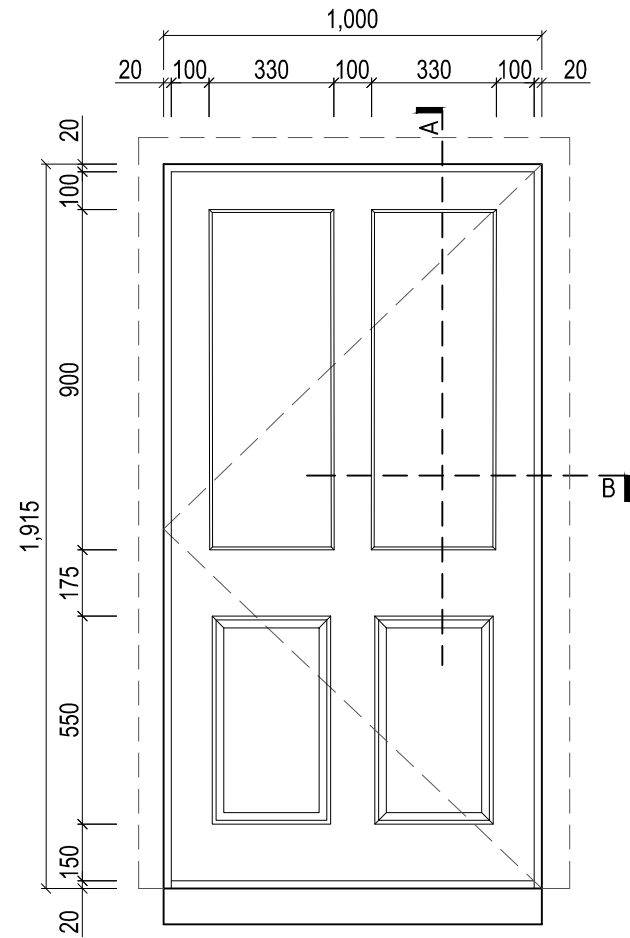
MULLION DETAIL

JAMB DETAIL

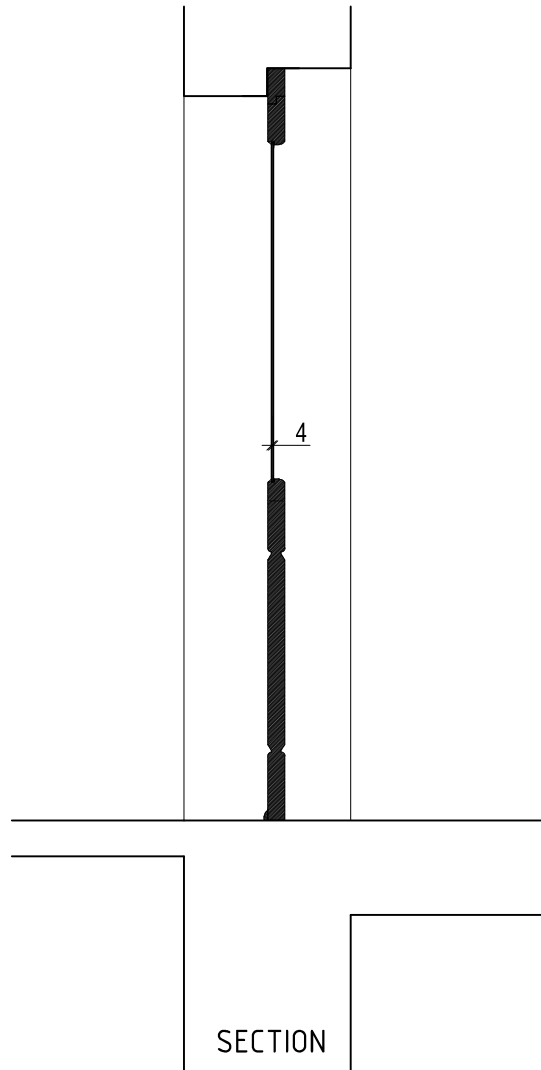
SECTION B



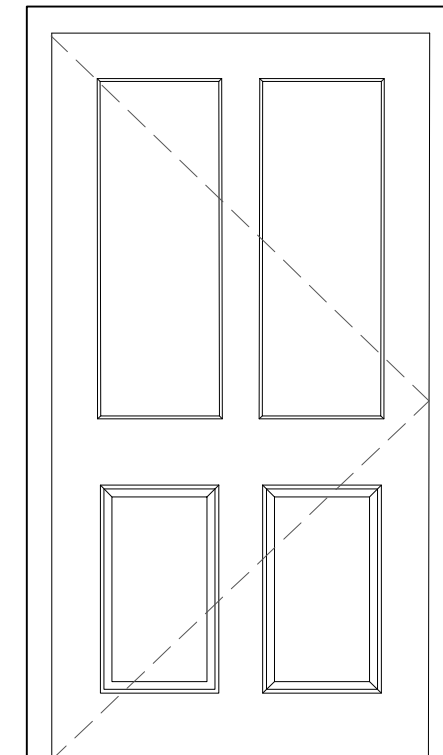
REAR ELEVATION - LOWER GROUND FLOOR EXISTING DOOR 01 , PAINTED TIMBER



EXTERNAL ELEVATION
DOOR 01

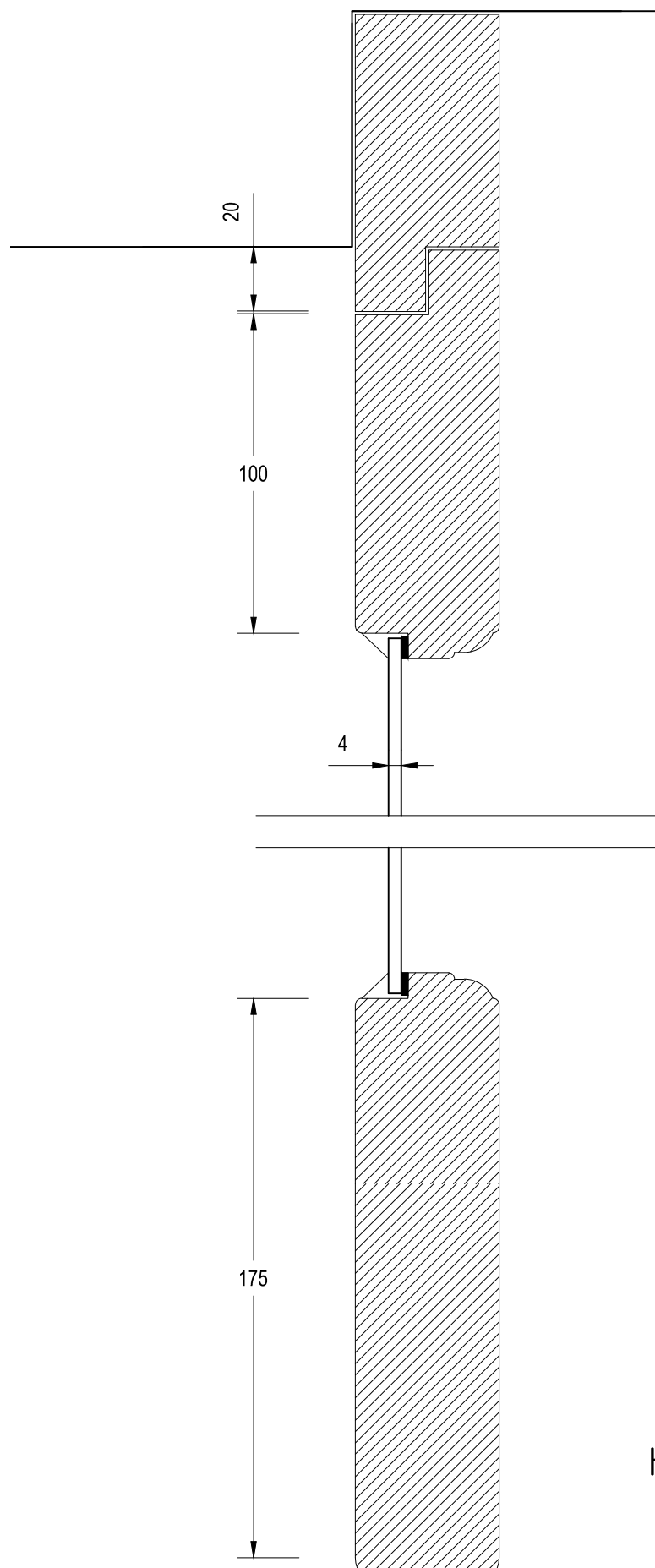


SECTION

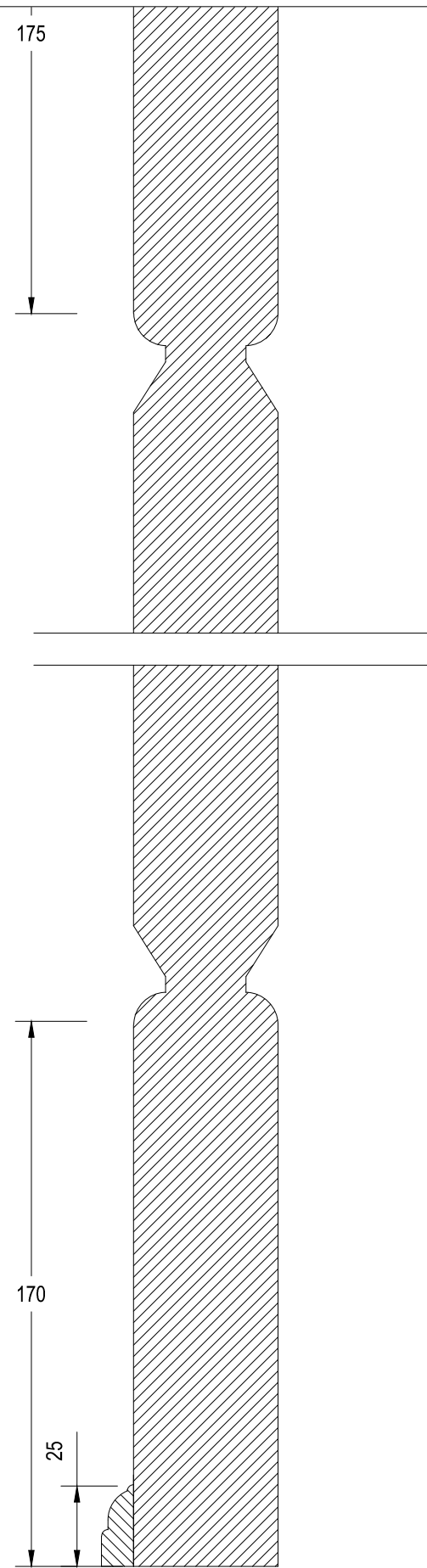


INTERNAL ELEVATION
DOOR 01



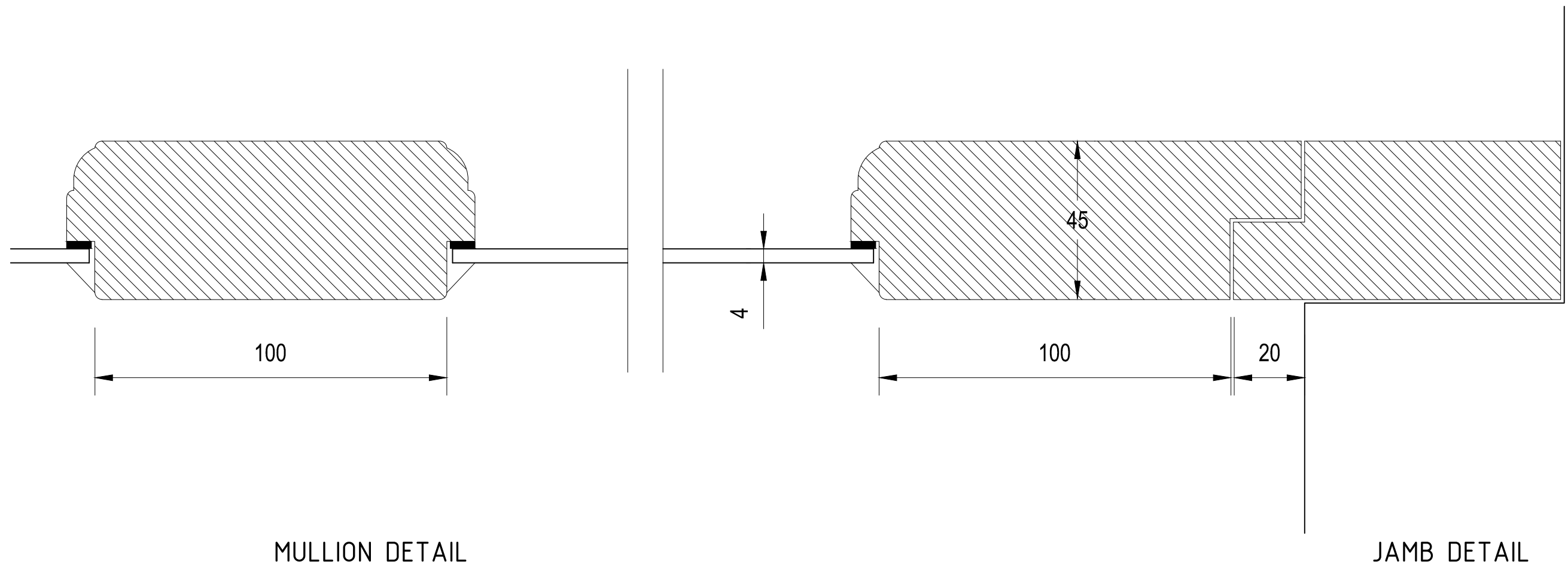


HEAD DETAIL



SILL DETAIL





2 magdalen mews
back of 164 finchley road
london
NW3 5HB
tel:+44 (0)207 794 1625 fax:+44 (0) 207 794 0296
info@as-studio.co.uk

PROJECT ADDRESS: 113A CAMDEN STREET, NW1 0HX LONDON	PROPOSED DOOR 01 DETAIL - SECTION B		
	DRAWING NO: 2113A(PLA)412-2	DWG FILE: 2113A(PLA)100-400	
	PROJECT STAGE: PLANNING	DRAWN: TK	
CLIENT NAME: -	VERSION:	SCALE: 1:2	SIZE: A3

A
DATE: JULY 2016