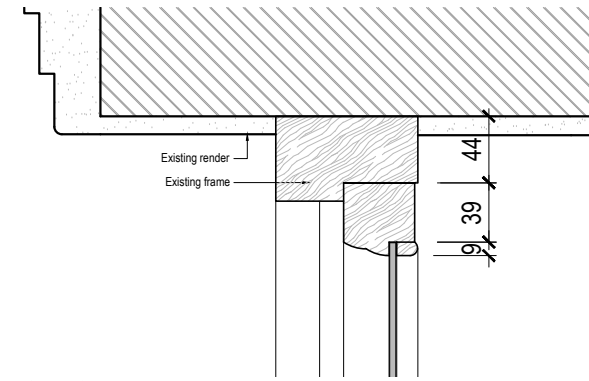
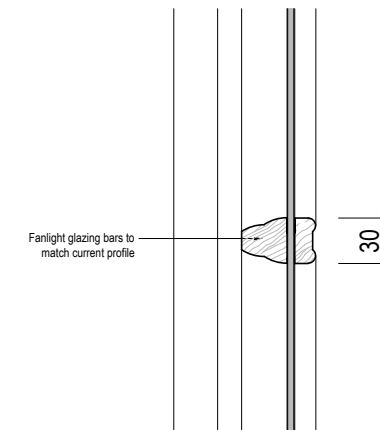


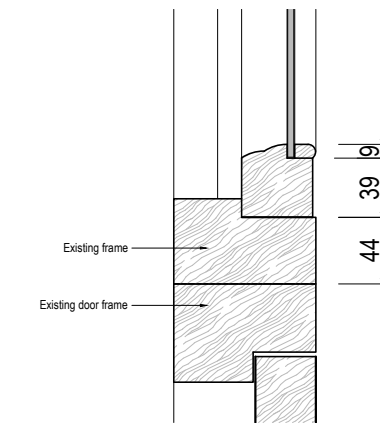
Proposed Fanlight Above Main Entrance Door
Scale 1:10 @ A3



Detail A
Scale 1:5 @ A3




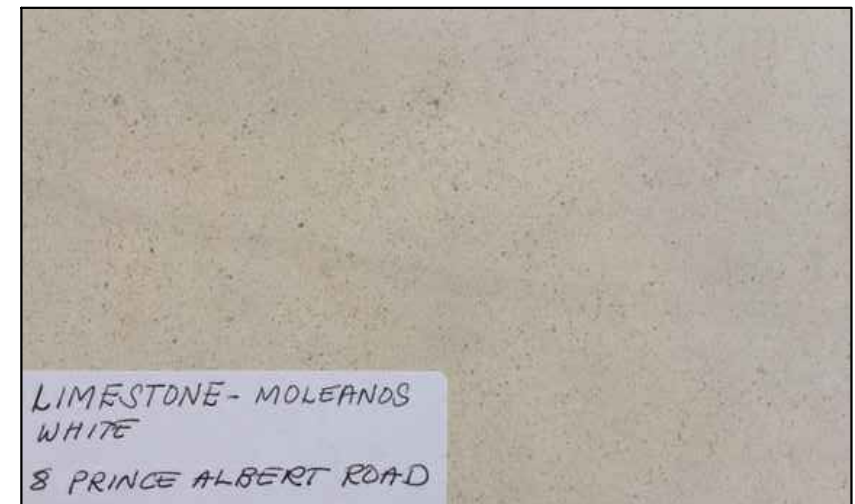
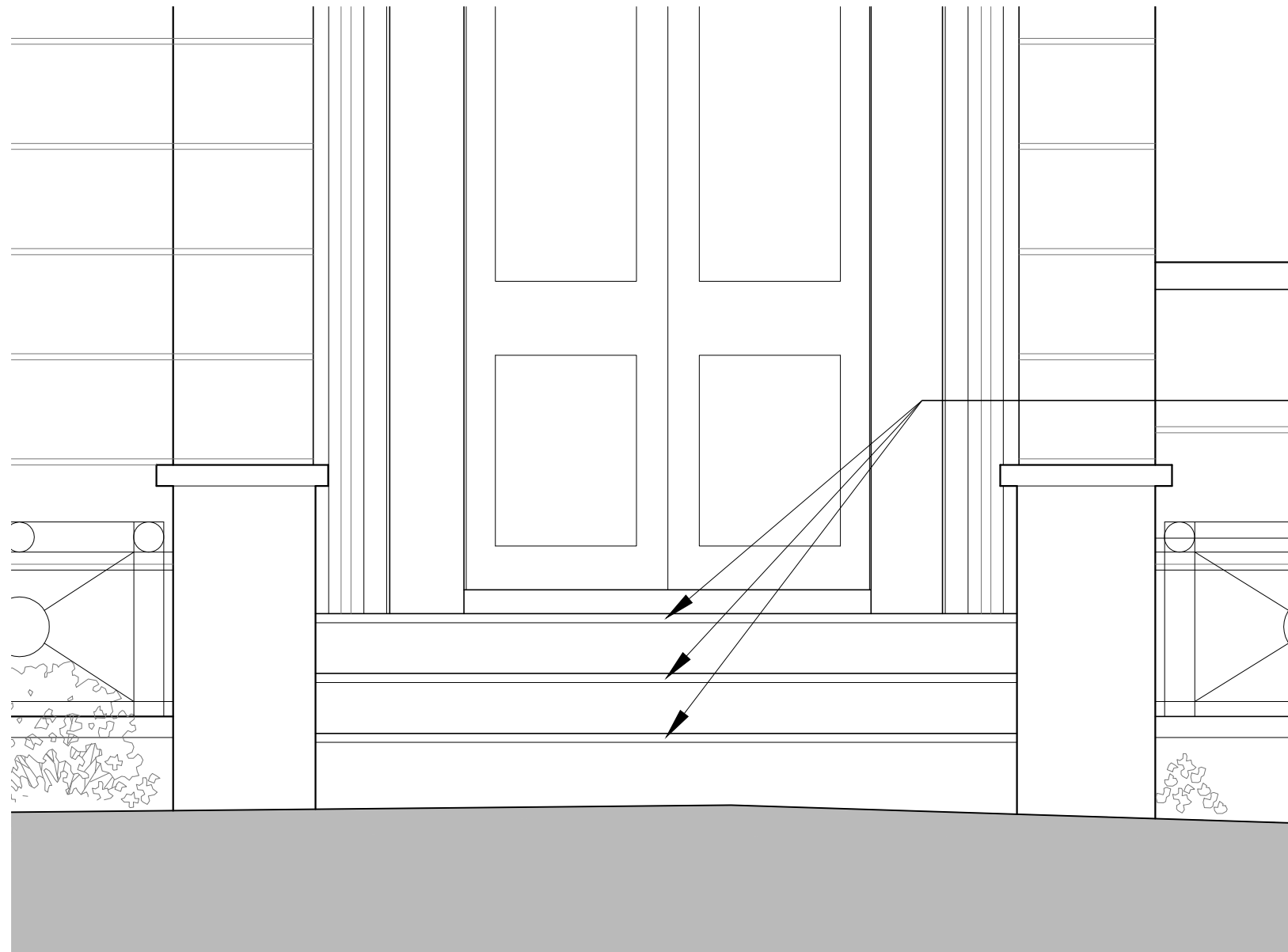
Detail B
Scale 1:5 @ A3



Detail C
Scale 1:5 @ A3

Timber to be painted white
to match existing with an 8mm
Single glazed unit installed.

Issued For PLANNING		Rev.	Description	Date	Signed	Checked					Scale Various	Date 21.06.2016	Drawn by AL	Checked by DS	 561 Finchley Road London NW3 7BJ Phone 020 7433 3939 Fax 020 7794 4279 www.DesignSolutionsUK.com
General Notes: THIS DRAWING HAS BEEN PREPARED BY DS DESIGN SOLUTIONS AND THE DATA CONTAINED HEREIN MAY BE USED OR REPRODUCED ONLY WITH DS DESIGN SOLUTIONS' APPROVAL.											Drawing Title Proposed Fanlight Above Entrance Door Details				
											Project 8 Prince Albert Road London NW1 7SR				
											Project no. 14/0313		Drawing no. 406		Revision P00



Proposed Material To Entrance Steps

Proposed Front Entrance
Scale 1:20 @ A3

Issued For
PLANNING

General Notes:
THIS DRAWING HAS BEEN PREPARED BY DS DESIGN SOLUTIONS AND THE DATA CONTAINED HEREIN MAY BE USED OR REPRODUCED ONLY WITH DS DESIGN SOLUTIONS' APPROVAL.

Rev.	Description	Date	Signed	Checked

--

--

Scale 1:20 @ A3	Date 21.06.2016	Drawn by AL	Checked by DS
Drawing Title Proposed Front Entrance Steps			
Project 8 Prince Albert Road London NW1 7SR			

 design solutions	561 Finchley Road London NW3 7BJ Phone 020 7433 3939 Fax 020 7794 4279 www.DesignSolutionsUK.com		
	Project no. 14/0313	Drawing no. 407	Revision P00