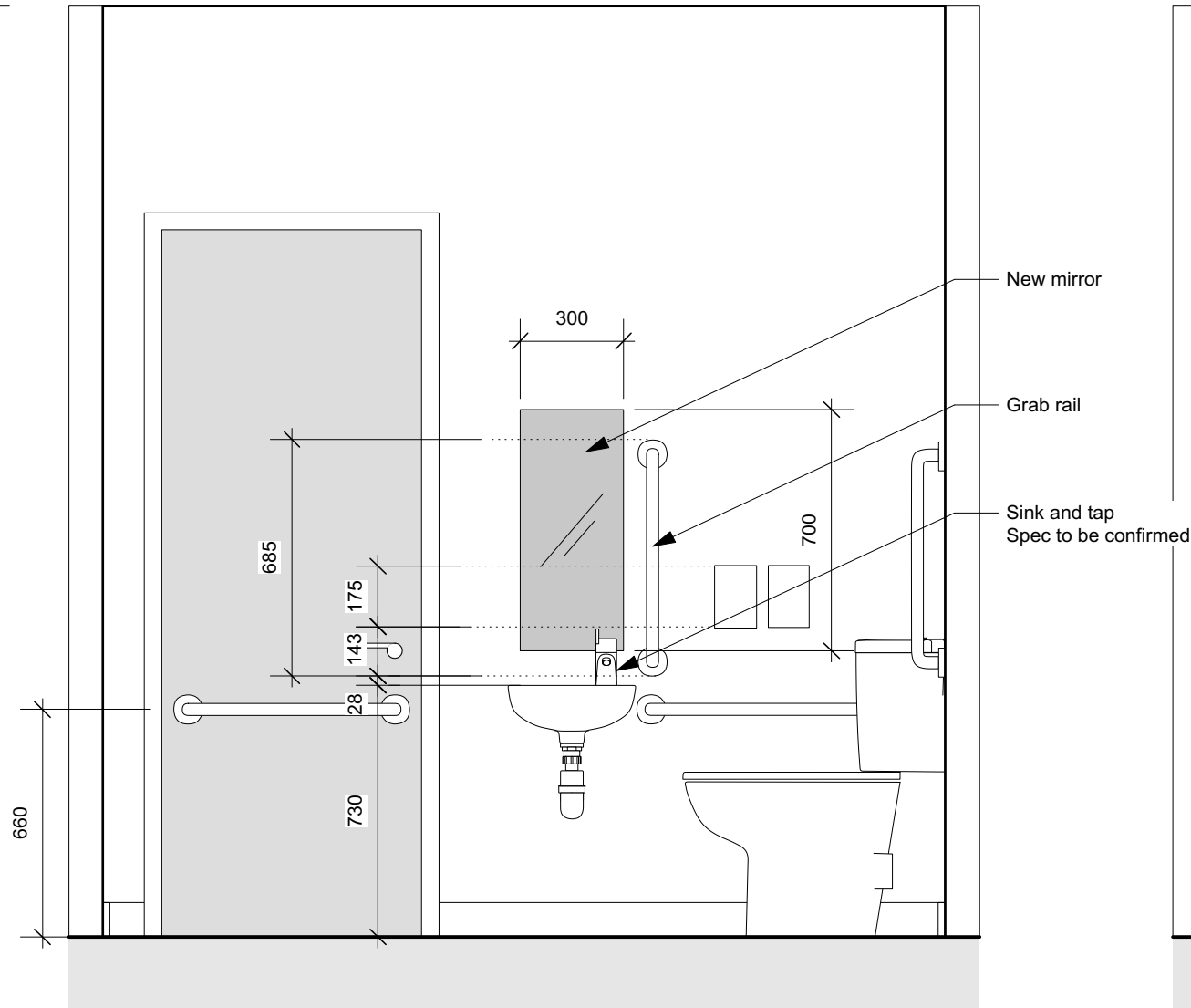
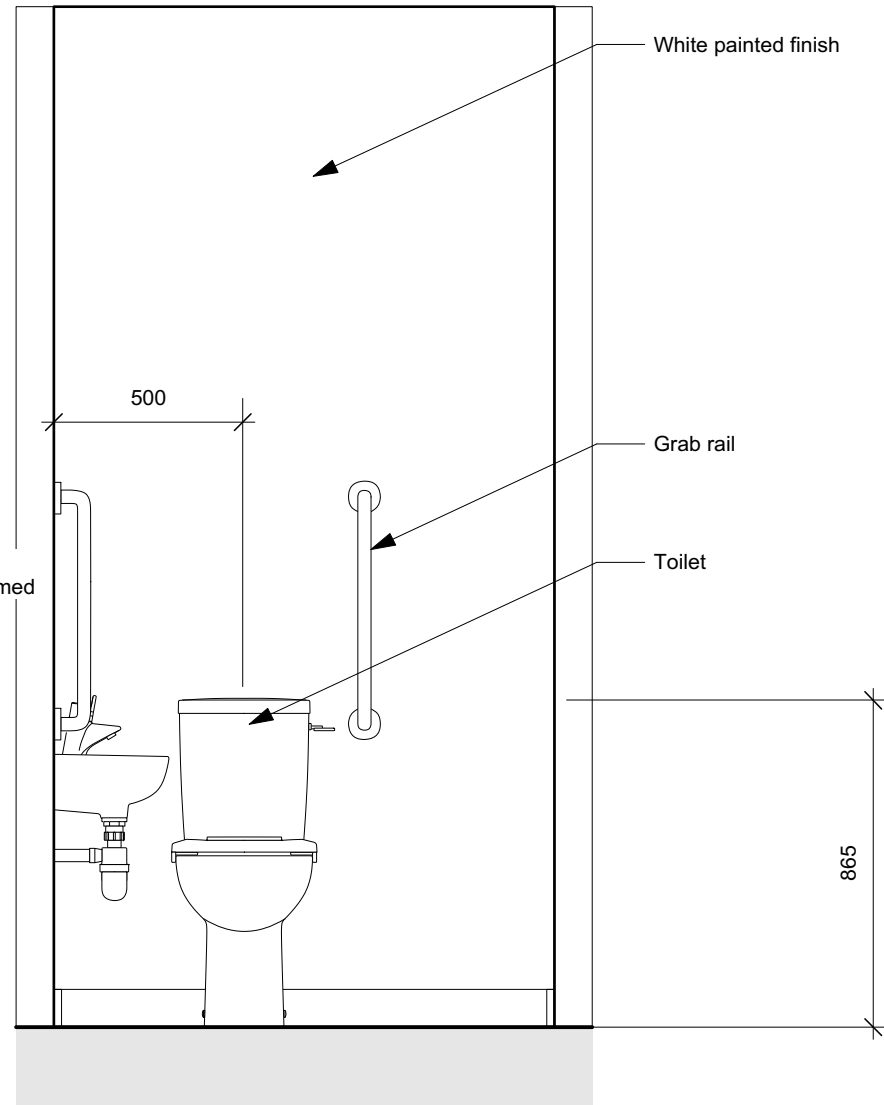


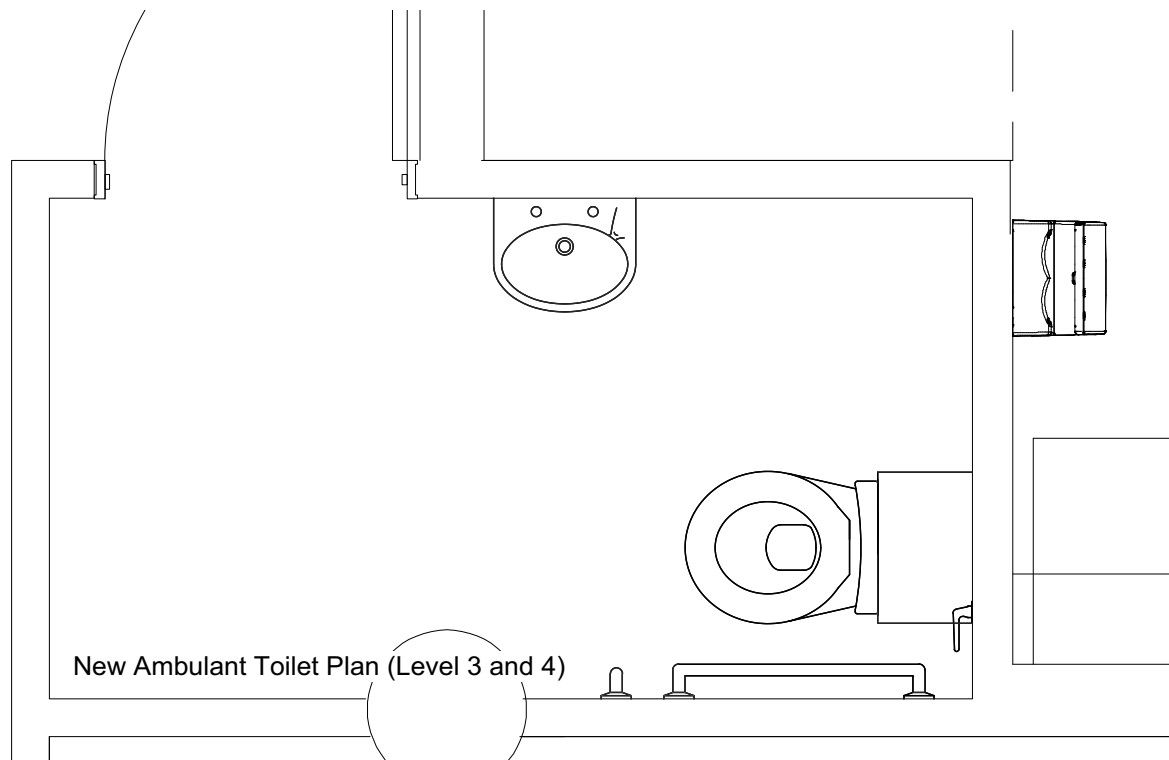
# Level 3 and 4 Ambulant Toilet



New WC Elevation C (Level 3 and 4)



New WC Elevation D (Level 3 and 4)



New Ambulant Toilet Plan (Level 3 and 4)

Do not scale from this drawing, use only written dimensions. Critical dimensions are identified thus with the 'x' prefix. Contractor to check ALL measurements on site prior to the commencement of the work and notify HTS of any discrepancies. All setting out to be approved by HTS PRIOR to fabrication.  
 © The Harmsen Group/Harmsen Tilney Shane retain the copyright and ownership of the drawing which must not be copied without written consent.

Revisions.

Rev.: By: Date:

**harmesen  
tilney shane**

Client  
TUC

Project  
Congress House

Drawing Title  
Level 3 and 4  
Ambulant Toilet

Scale	Drawn	Date
1:20 (A3)	TC	04.07.16

Bristol | Farleigh Court | Flax Bourton | BS48 1UR  
T 01275 465 200

London | The Printworks | Dunstable Road | TW9 1RR  
T 020 8439 2970

www.harmsentilneyshane.com

Project no.	Drawing no.	Revision
689	808	0

Purpose of Issue  
Tender