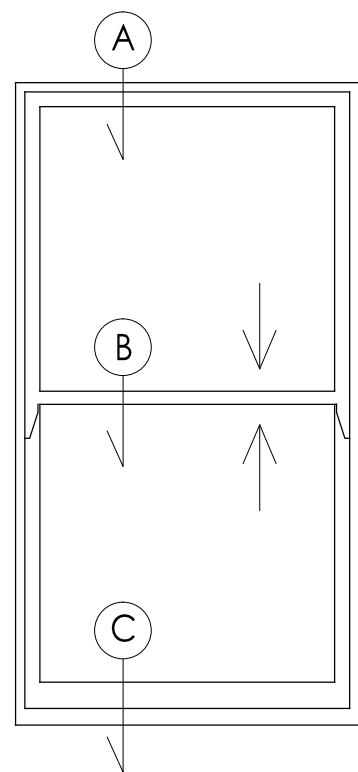
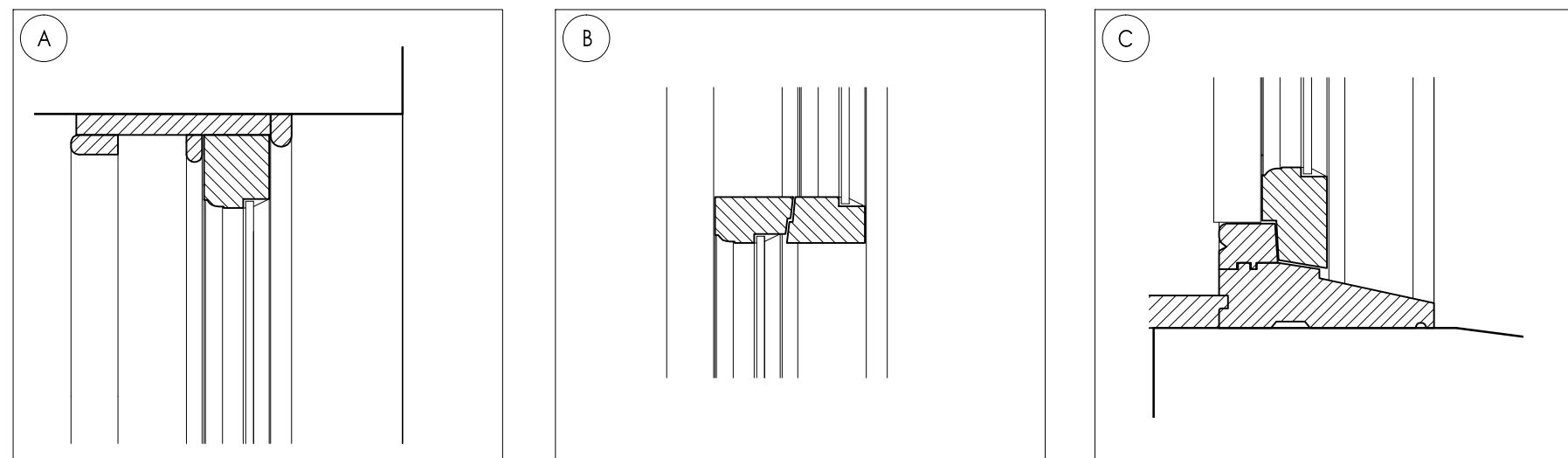


KEY

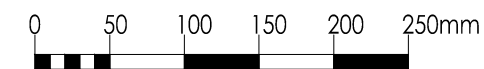


SCALE 1:20 @ A3



TYPICAL EXISTING WINDOW DETAILS

SCALE 1:5 @ A3

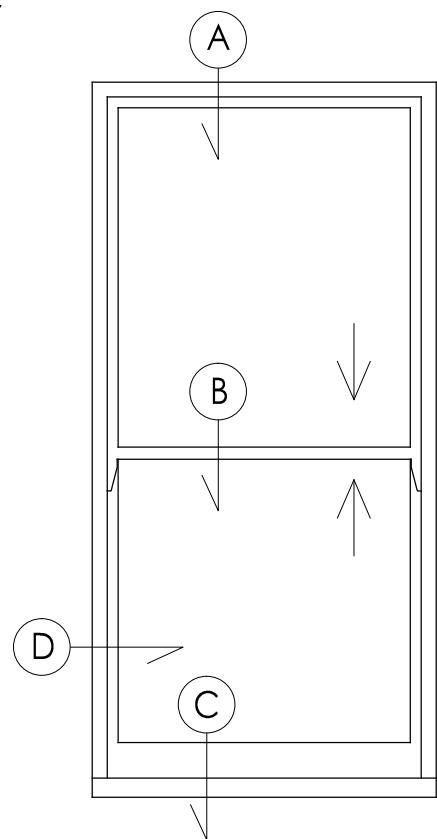


Amendments

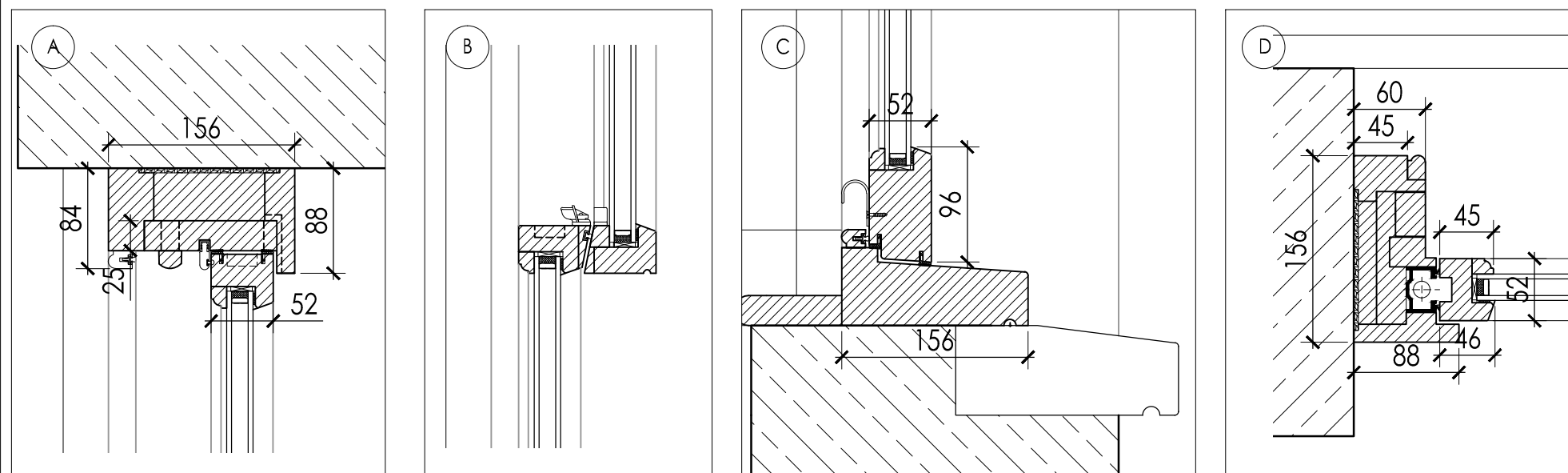
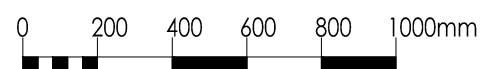
A - 12.07.16 - RMC - PROPOSED WINDOWS CHANGED TO TIMBER SLIDING SASH, RE-ISSUED FOR PLANNING.

DO NOT SCALE FOR CONSTRUCTION

KEY

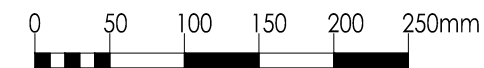


SCALE 1:20 @ A3



TYPICAL PROPOSED WINDOW DETAILS

SCALE 1:5 @ A3



STUDIOS 1 & 2  
OLD KINGS HEAD COURT  
11 HIGH STREET  
DORKING  
SURREY RH4 1AR  
T 01306 887070  
F 01306 876716  
admin@bpg.co.uk  
www.bpg.co.uk

BUILDING SURVEYING  
ARCHITECTURE  
PROJECT MANAGEMENT  
QUANTITY SURVEYING

PROJECT  
FLATS 1-66, HOLSWORTHY  
SQUARE ELM STREET,  
LONDON, WC1X 0AU

CLIENT  
ORIGIN HOUSING  
GROUP

DATE  
JUNE 2016

DRAWN  
RMC  
CHECKED  
CM

SCALE  
1:20 @A3  
1:5 @A3  
FOR  
PLANNING

TITLE  
TYPICAL WINDOW  
DETAILS

DRAWING NO.  
3821/PL10  
REV  
A