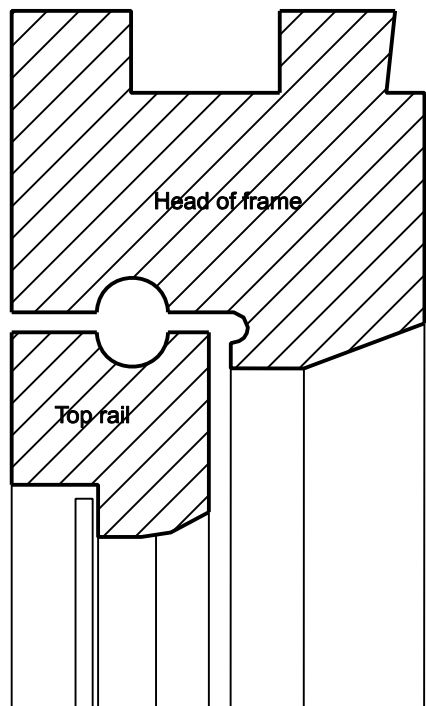
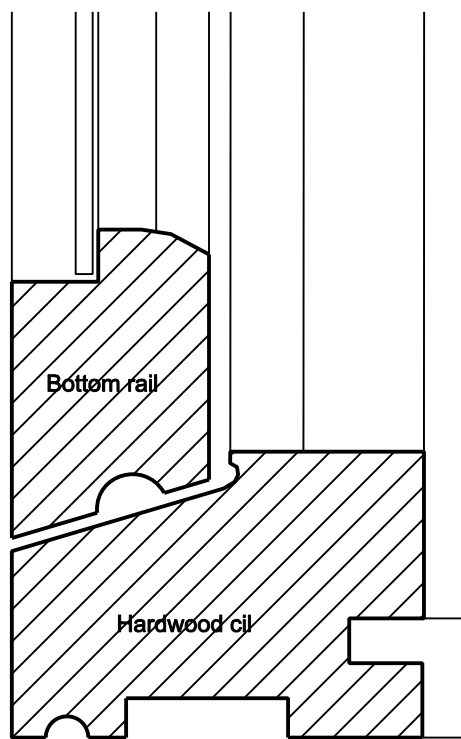
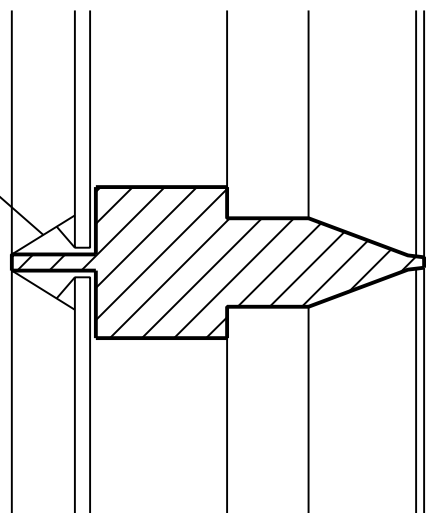


Lintel



Sprig & Putty



Written dimensions to be taken in preference to scaled dimensions. The Contractor is responsible for checking all dimensions before work starts.

All work is to be carried out to the requirements, and to the satisfaction of the Local Authority. These drawings are for planning purposes only

Any discrepancies to be brought to the attention of 4D Planning Consultants immediately.

Location Plan

Rev	Date	Description	by	chk



www.GetMePlanning.com®

Client  
**Marc Mannatt**

Project  
**9B Wedderburn Road,  
NW3 5QS**

Title  
**Detailed Window Drawings**

Date: July 2016	Rev: 1
Scale: 1:1 @ A3	
Drawing No. 4DPLAN02	

Windows to be replaced like-for-like  
white painted timber framed  
traditional single glazed casement windows

