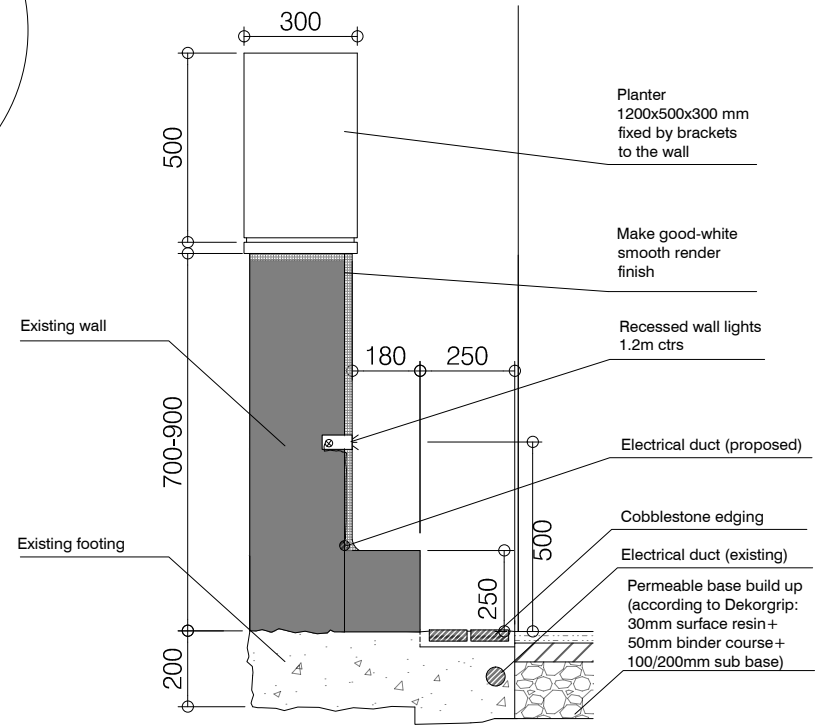


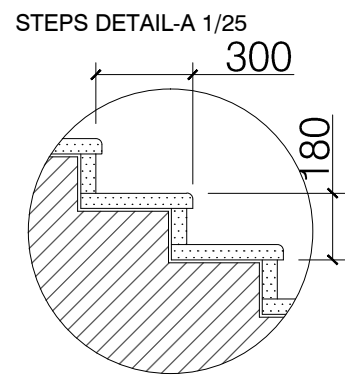
LOCATION PLAN 1/500



BOUNDARY WALL SECTION A-A' 1/20



DRIVEWAY BOUNDARY WALL ILLUSTRATION N/S

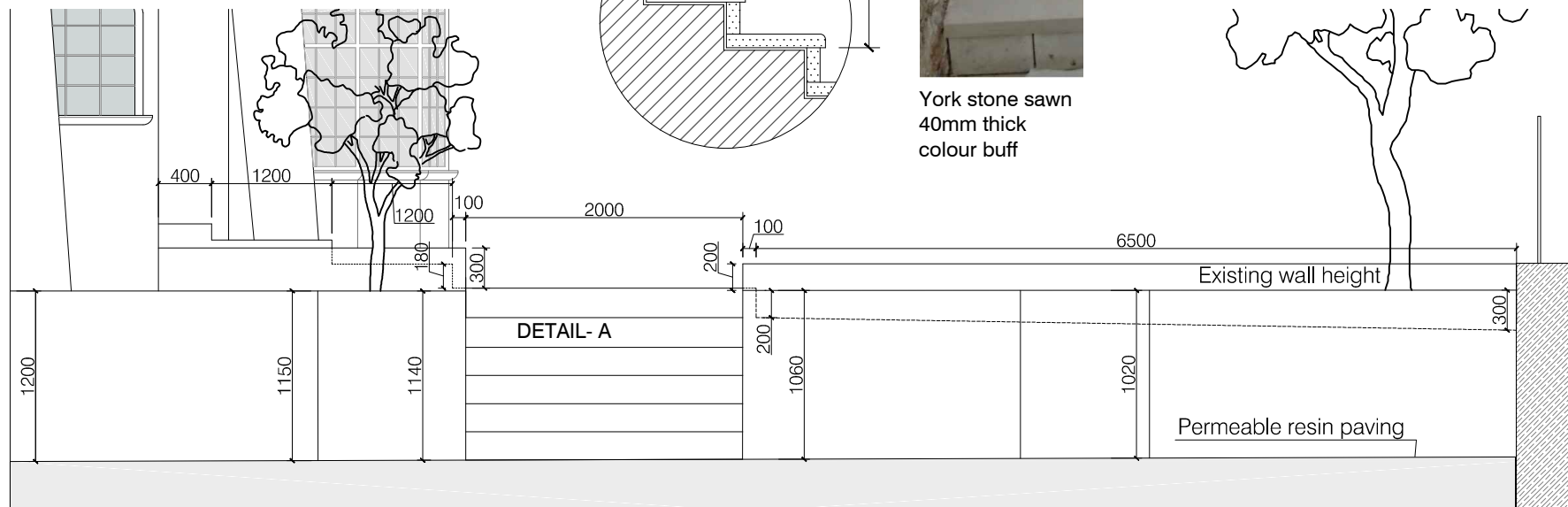


STEPS DETAIL-A 1/25

STEPS FINISH

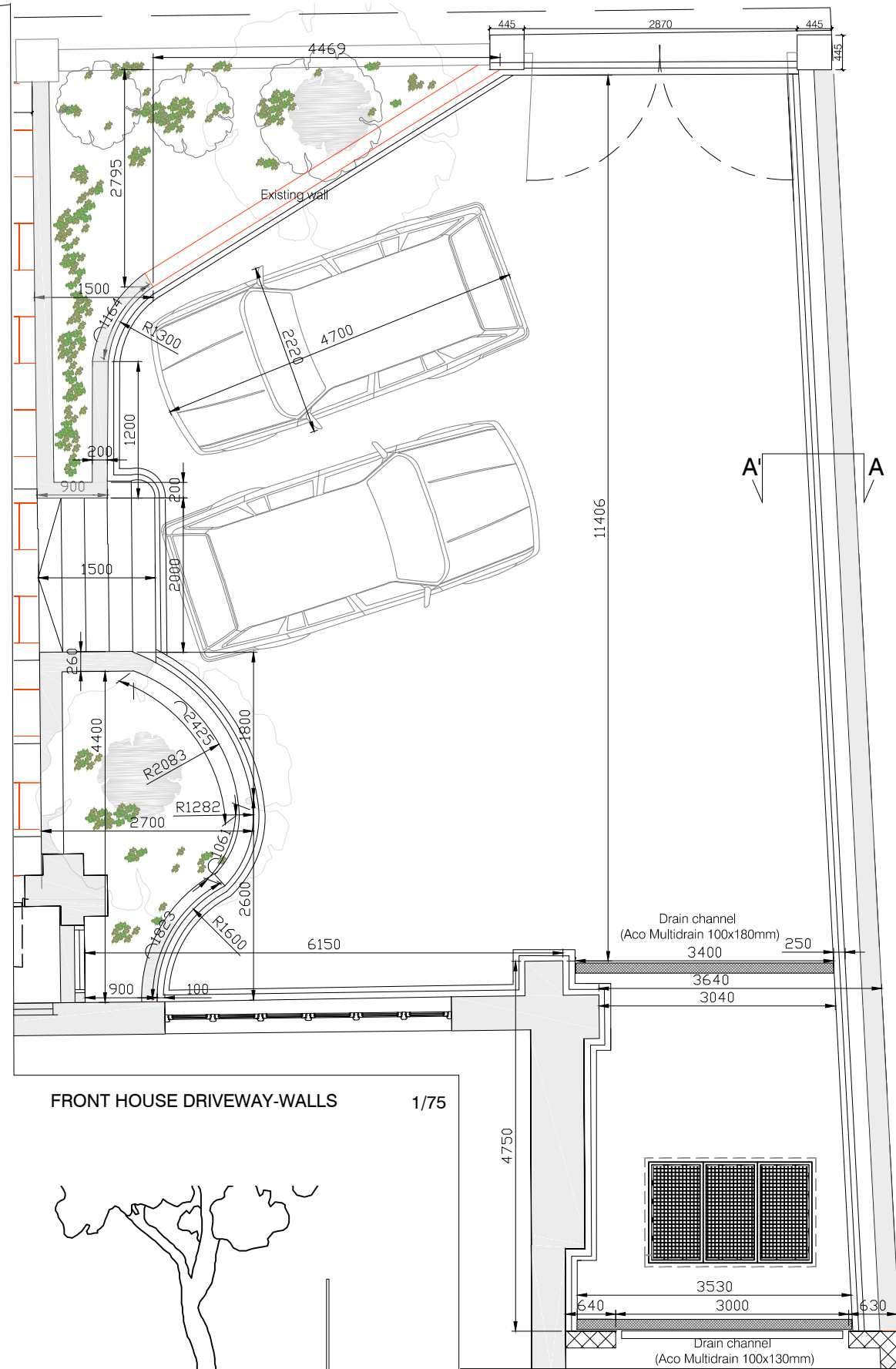


York stone sawn
40mm thick
colour buff



FRONT ELEVATION HOUSE WALL

1/50



FRONT HOUSE DRIVEWAY-WALLS 1/75



RESIN BOUND SAMPLE



RESIN BOUND COLOUR

NOTE: All dimensions are in millimetres unless otherwise shown. All dimensions to be checked on site

LEGEND :

Revision notes :

- A - FIRST ISSUE FOR COMMENTS - 14/12/15
- B - BOUNDARY WALL DESIGN REVISED - 12/01/16
- C - DRAWING LAYOUT REARRANGED AND DIMENSIONS REVISED - 1/04/16

SHAKIB

Ginsberg Yard, Back Lane, Hampstead, London NW3 1EW

FOR PLANNING

Project Title 69 Redigton Rd Refurbish and Extension
 Site Address 69 Redigton Road, London NW3 7RP
 Drawing Title DRIVEWAY-WALL
 Drawing No. 69RR_GAR_FDRIVEWAY Revision C
 Date 6/11/15 Scale VRS@A3
 Drawn by AG

