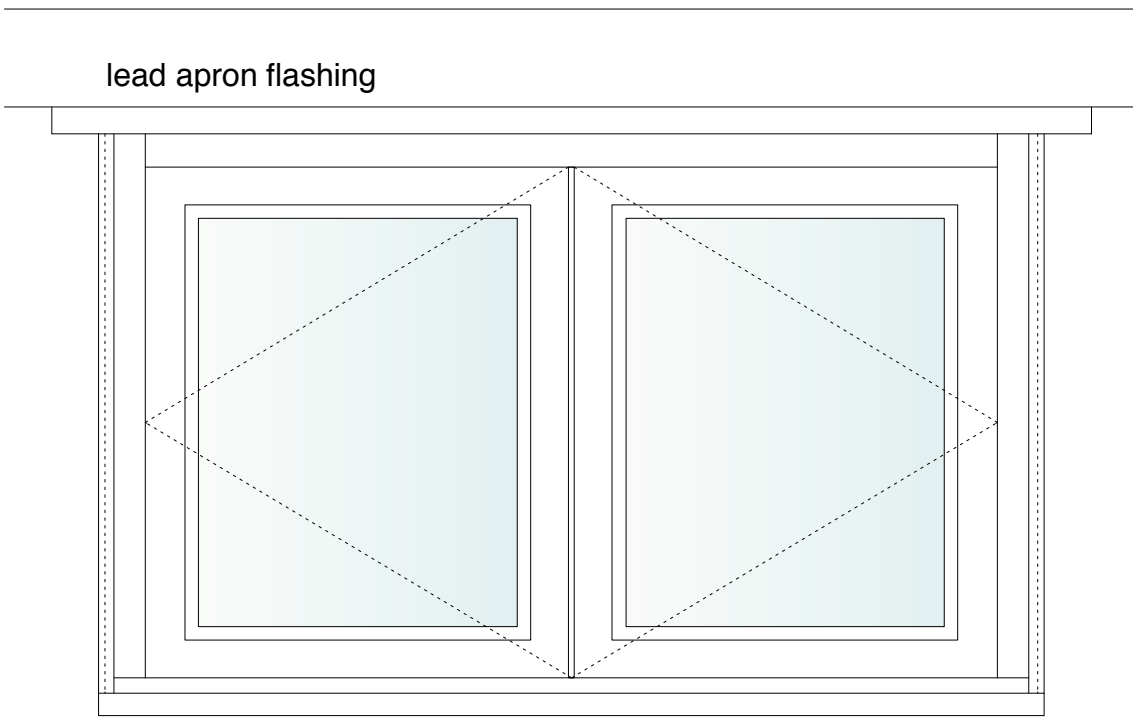


slates (upper roof)

lead apron flashing



# ELEVATION

# PLAN

