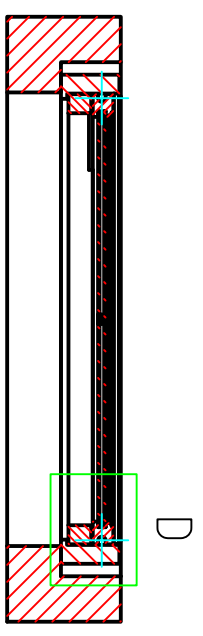
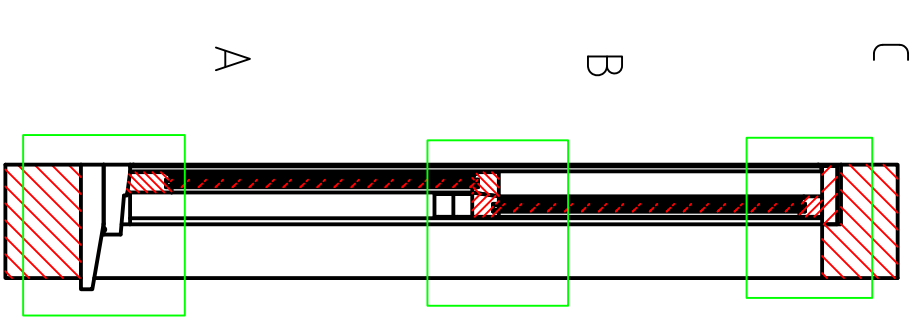
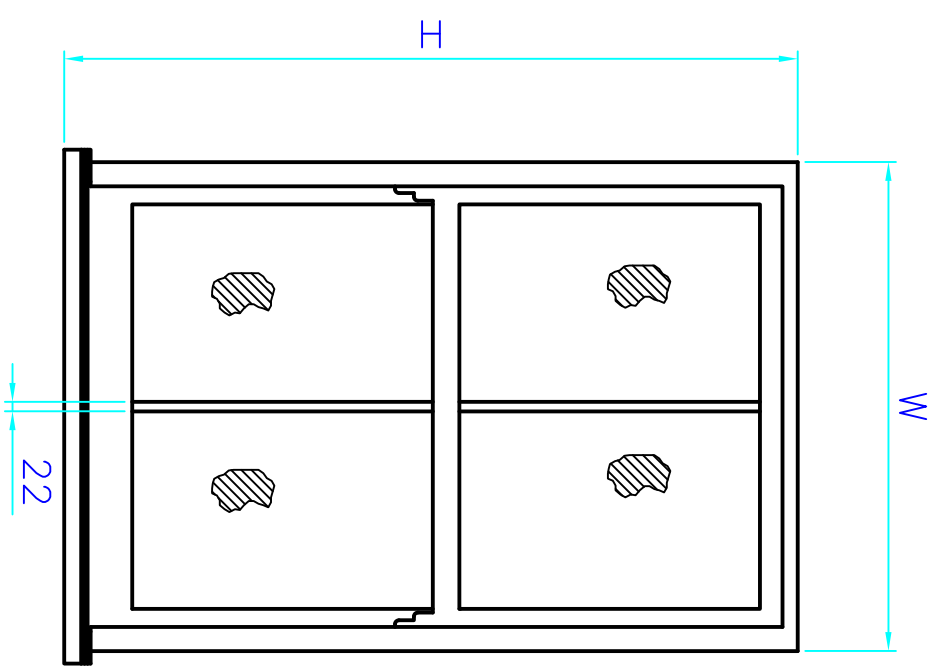
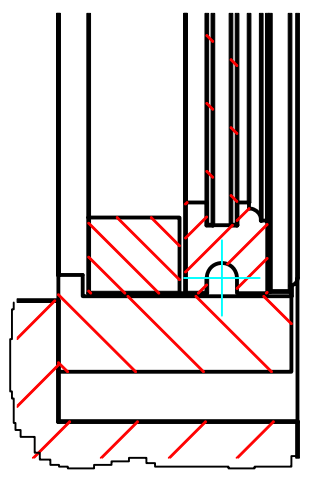


20mm double glazing



Itemref	Quantity	Title/Name, designation, material, dimension etc	Article No./Reference
Designed by	Checked by	Approved by - date	Date
			05/07/2016
		Filename	Scale