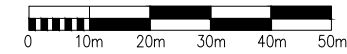


Ordnance Survey, (c) Crown Copyright 2016. All rights reserved. Licence number 100022432



2 magdalen mews
back of 164 finchley road
london
NW3 5HB
tel:+44 (0)207 794 1625 fax:+44 (0) 207 794 0296
info@as-studio.co.uk

PROJECT ADDRESS:
113A CAMDEN STREET,
NW1 0HX LONDON

CLIENT NAME:
-

LOCATION PLAN

DRAWING NO: 2113A(PLA)001

PROJECT STAGE: PLANNING

VERSION:

DWG FILE: 2113A(PLA)100-400

DRAWN: TK

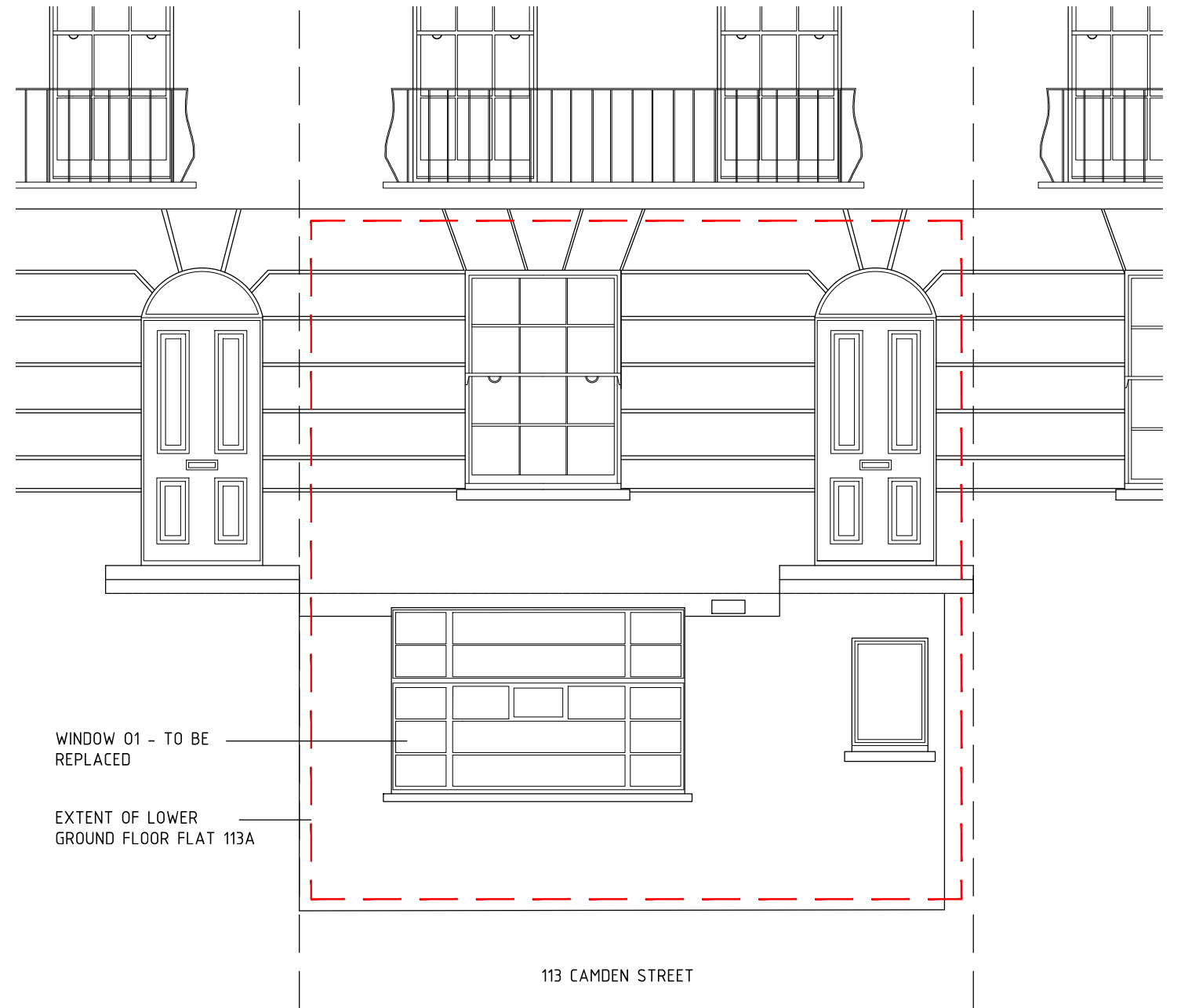
SCALE: 1:1250/1:500

SIZE: A3

DATE: MAY 2016



FRONT ELEVATION



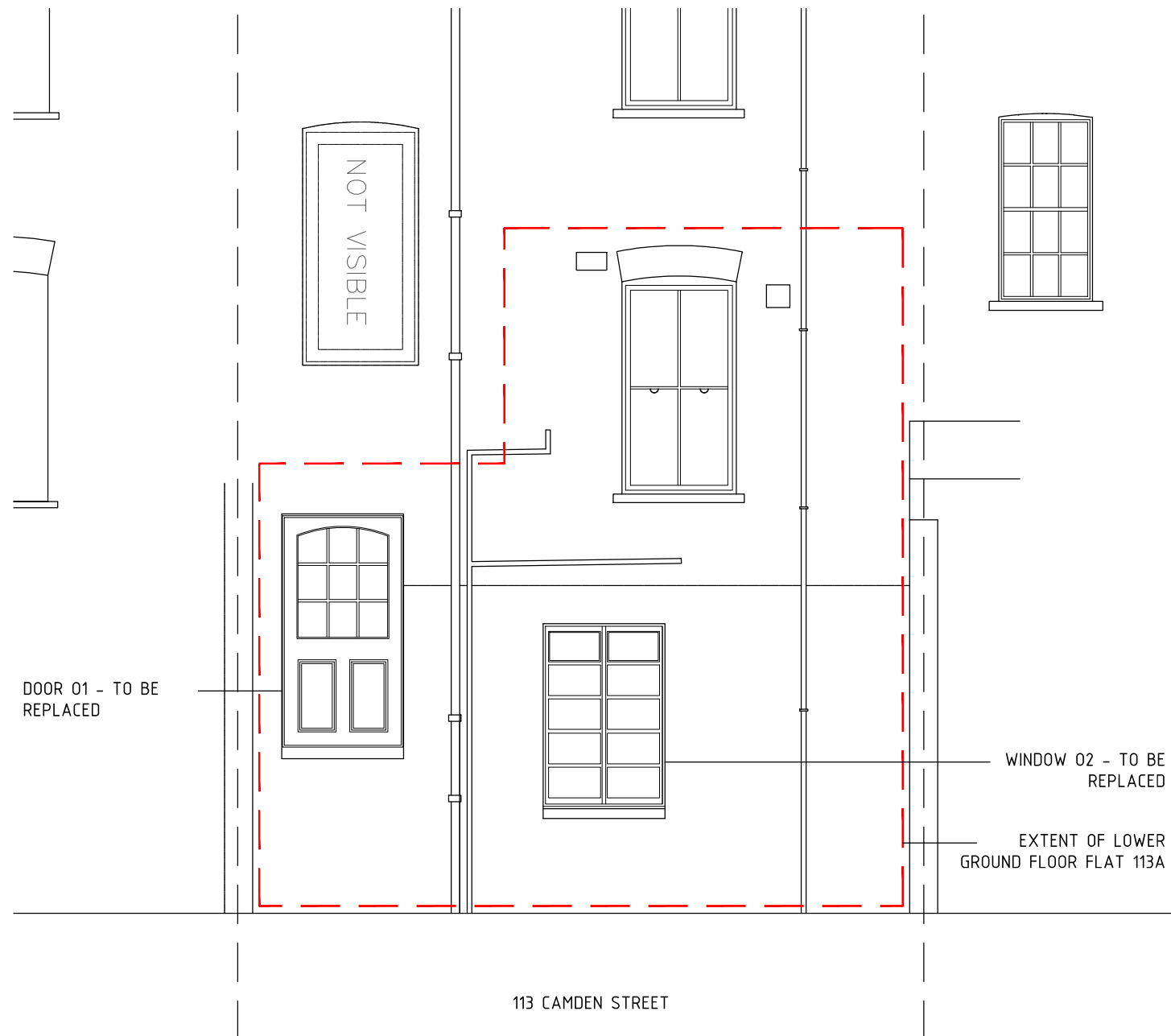
113 CAMDEN STREET

PROJECT ADDRESS: 113A CAMDEN STREET, NW1 0HX LONDON	EXISTING FRONT ELEVATION		•
CLIENT NAME: -	DRAWING NO: 2113A(PLA)200	DWG FILE: 2113A(PLA)100-400	
	PROJECT STAGE: PLANNING	DRAWN: TK	
	VERSION:	SCALE: 1:100/1:50	SIZE: A3
			DATE: MAY 2016



0.50m 0.00m 1.0m 2.0m 3.0m 4.0m 5.0m

REAR ELEVATION



0.50m 0.00m 1.0m 2.0m 3.0m

WINDOW 02 - TO BE REPLACED
EXTENT OF LOWER GROUND FLOOR FLAT 113A



2 magdalen mews
back of 164 finchley road
london
NW3 5HB

tel:+44 (0)207 794 1625 fax:+44 (0) 207 794 0296
info@as-studio.co.uk

PROJECT ADDRESS:
113A CAMDEN STREET,
NW1 0HX LONDON

CLIENT NAME:
-

EXISTING REAR ELEVATION

DRAWING NO: 2113A(PLA)201

PROJECT STAGE: PLANNING

VERSION:

DWG FILE: 2113A(PLA)100-400

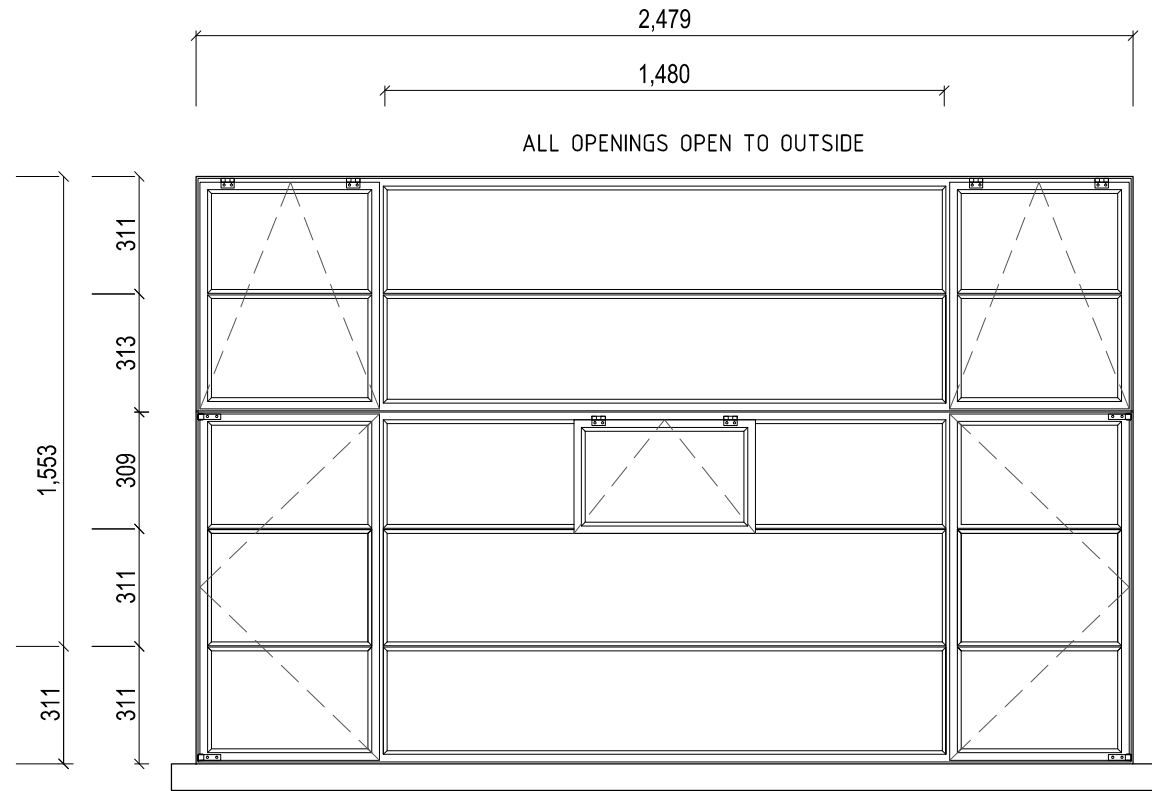
DRAWN: TK

SCALE: 1:100/1:50

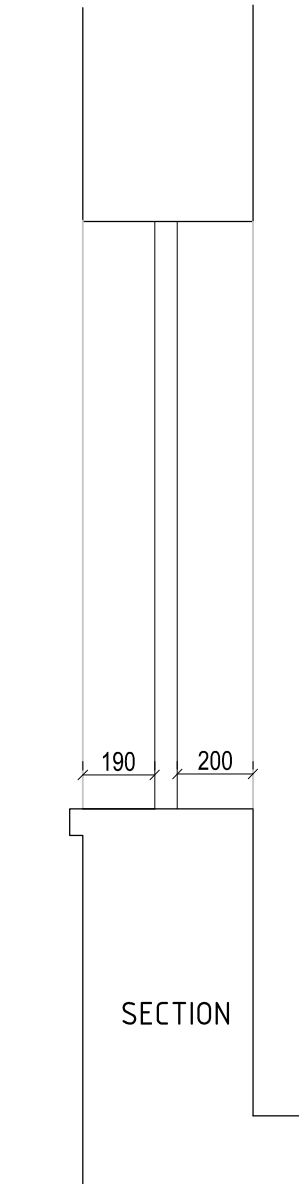
SIZE: A3

DATE: MAY 2016

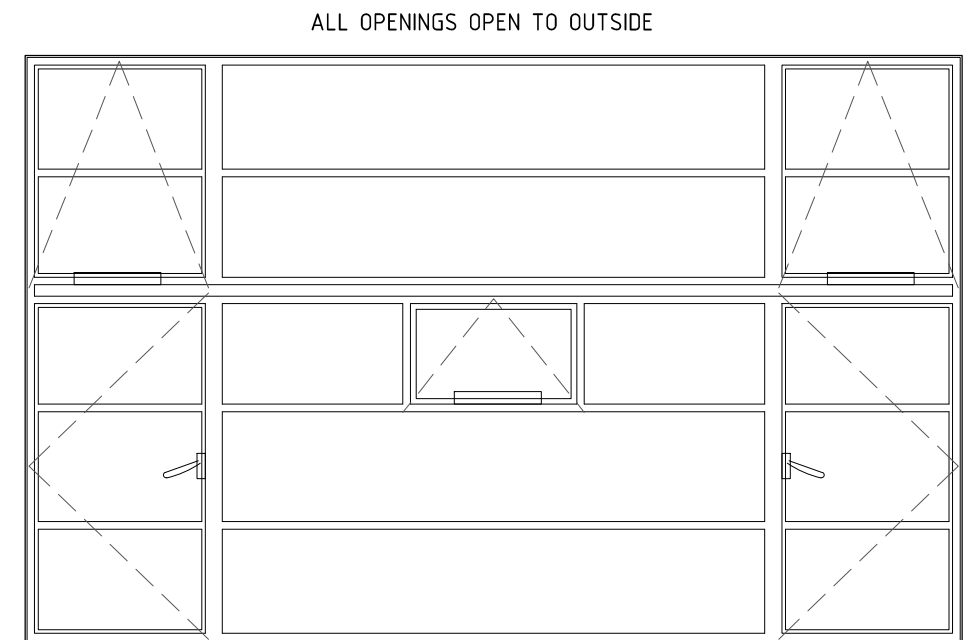
FRONT ELEVATION - LOWER GROUND FLOOR EXISTING WINDOW , METAL WORK



EXTERNAL ELEVATION
WINDOW 01



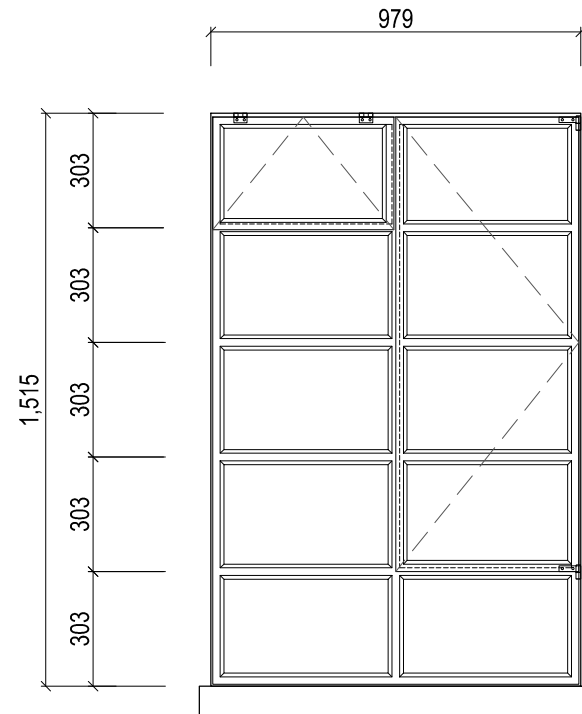
SECTION



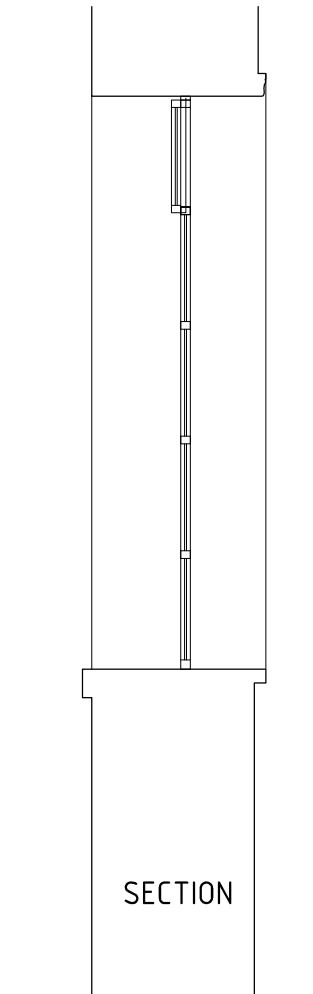
INTERNAL ELEVATION
WINDOW 01



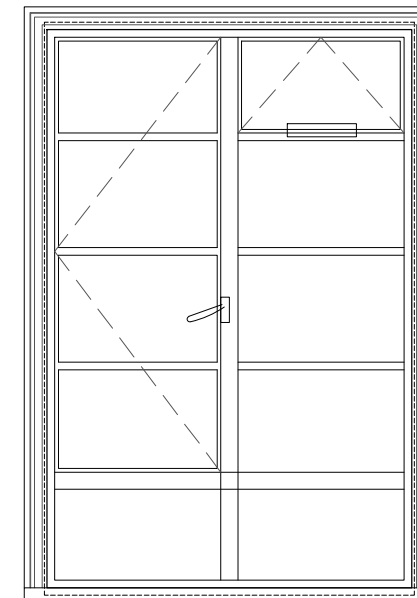
REAR ELEVATION - LOWER GROUND FLOOR EXISTING WINDOW 02 , METAL WORK



EXTERNAL ELEVATION
WINDOW 02



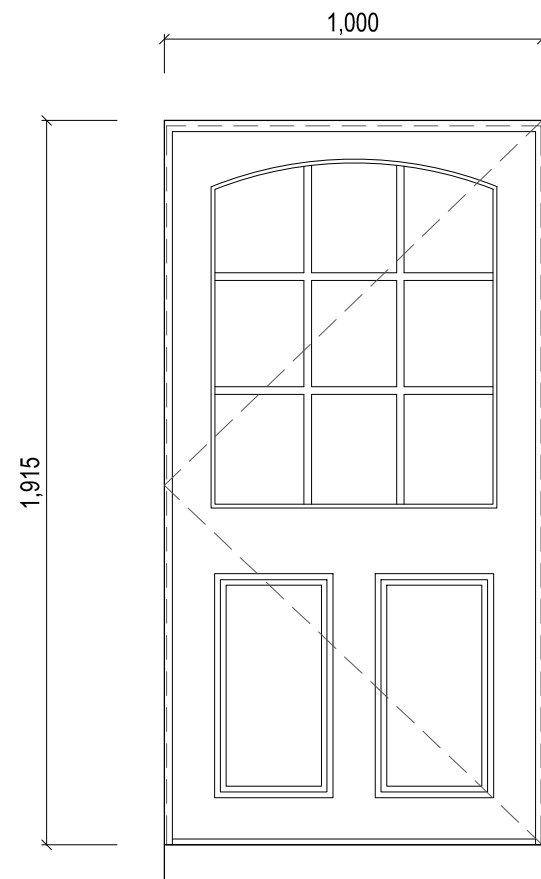
SECTION



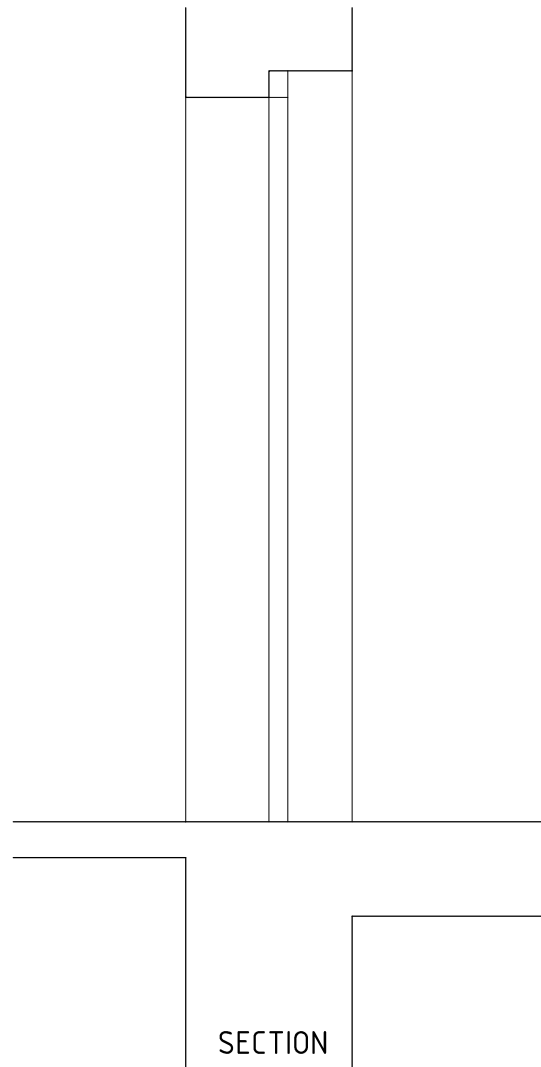
INTERNAL ELEVATION
WINDOW 02



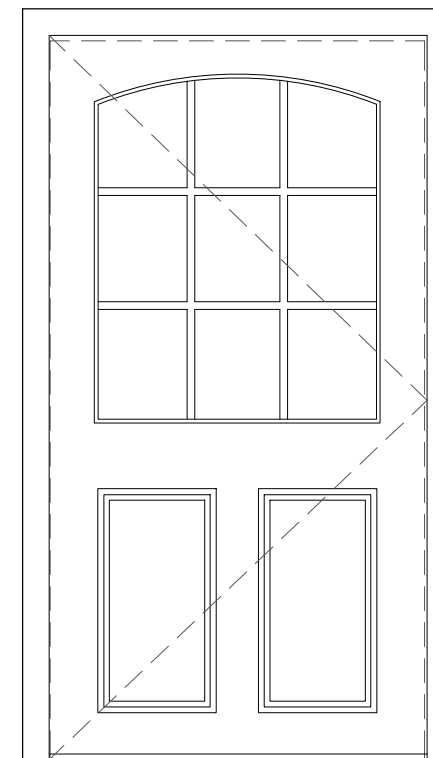
REAR ELEVATION - LOWER GROUND FLOOR EXISTING DOOR 01 , PAINTED TIMBER



EXTERNAL ELEVATION
DOOR 01

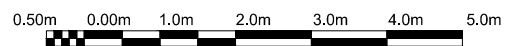


SECTION

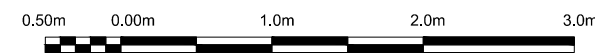


INTERNAL ELEVATION
DOOR 01





FRONT ELEVATION





0.50m 0.00m 1.0m 2.0m 3.0m 4.0m 5.0m

REAR ELEVATION



0.50m 0.00m 1.0m 2.0m 3.0m



2 magdalen mews
back of 164 finchley road
london
NW3 5HB
tel:+44 (0)207 794 1625 fax:+44 (0) 207 794 0296
info@as-studio.co.uk

PROJECT ADDRESS:
113A CAMDEN STREET,
NW1 0HX LONDON

CLIENT NAME:
-

PROPOSED REAR ELEVATION

DRAWING NO: 2113A(PLA)211

PROJECT STAGE: PLANNING

VERSION:

DWG FILE: 2113A(PLA)100-400

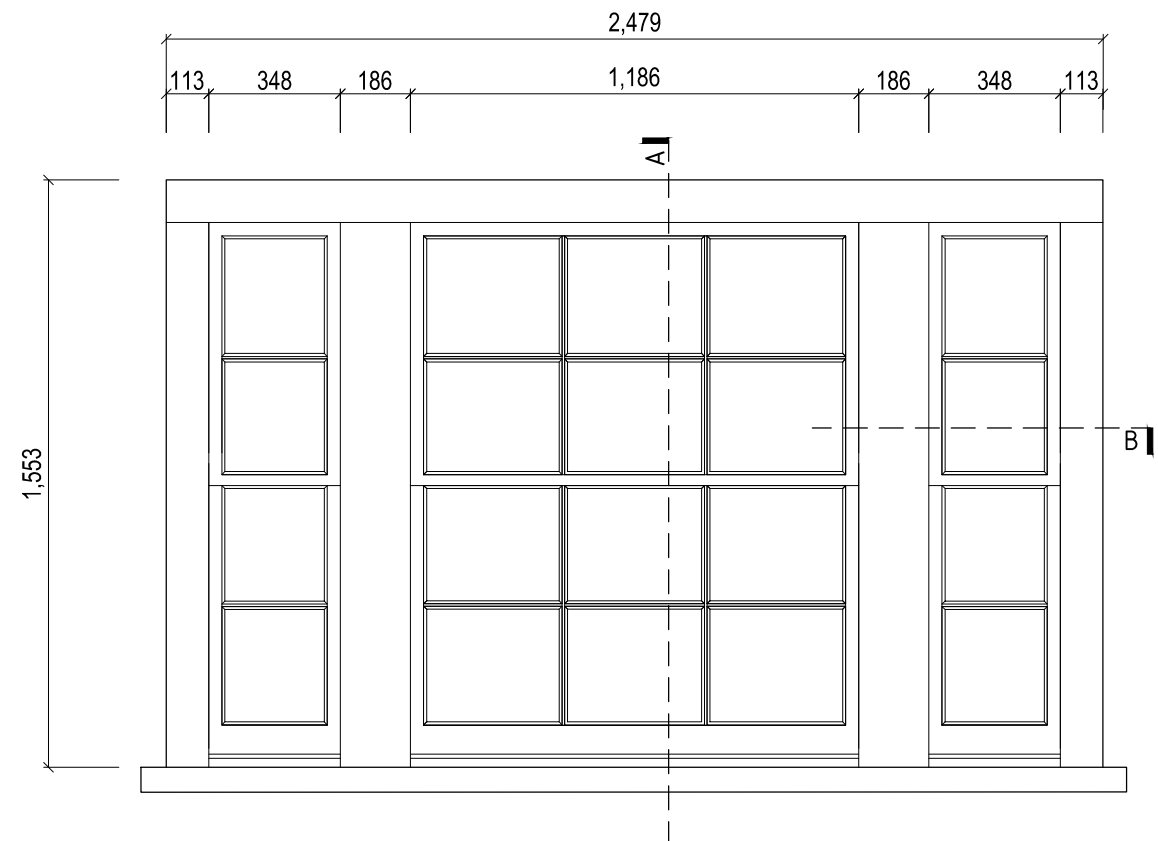
DRAWN: TK

SCALE: 1:100/1:50

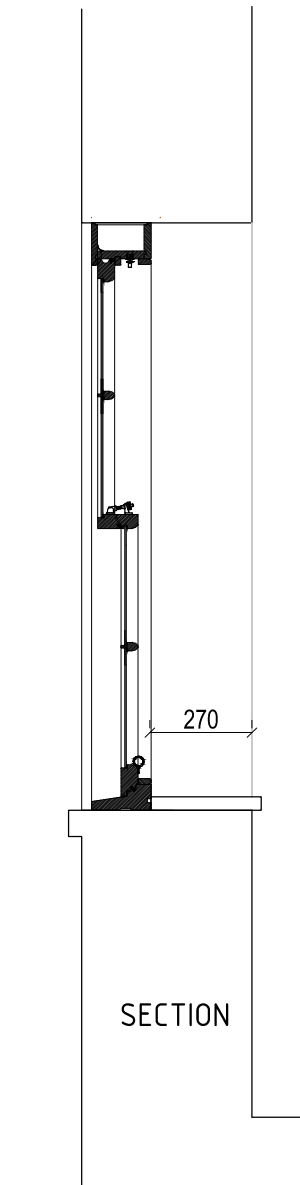
SIZE: A3

DATE: MAY 2016

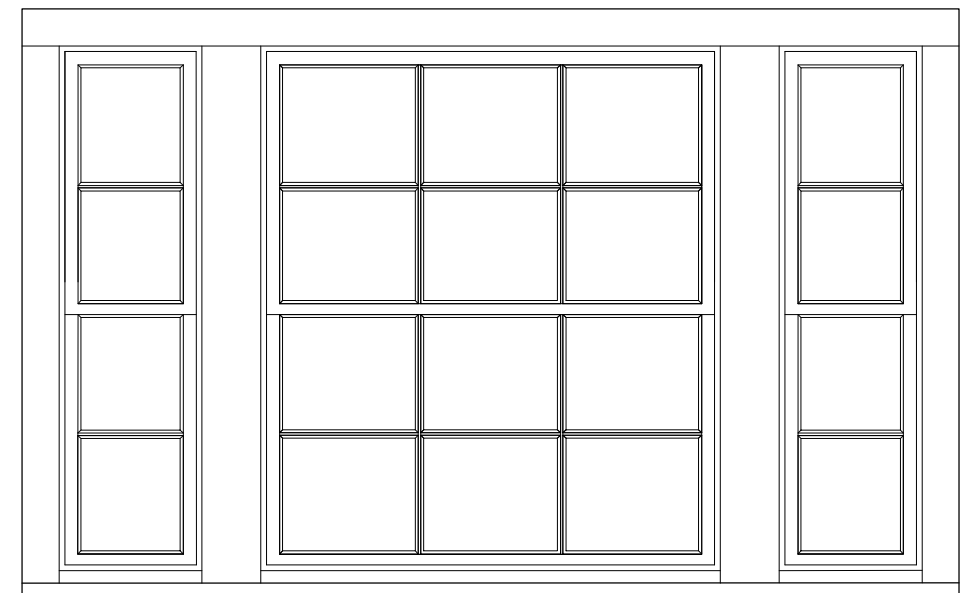
FRONT ELEVATION - LOWER GROUND FLOOR PROPOSED WINDOW , PAINTED TIMBER



EXTERNAL ELEVATION
WINDOW 01

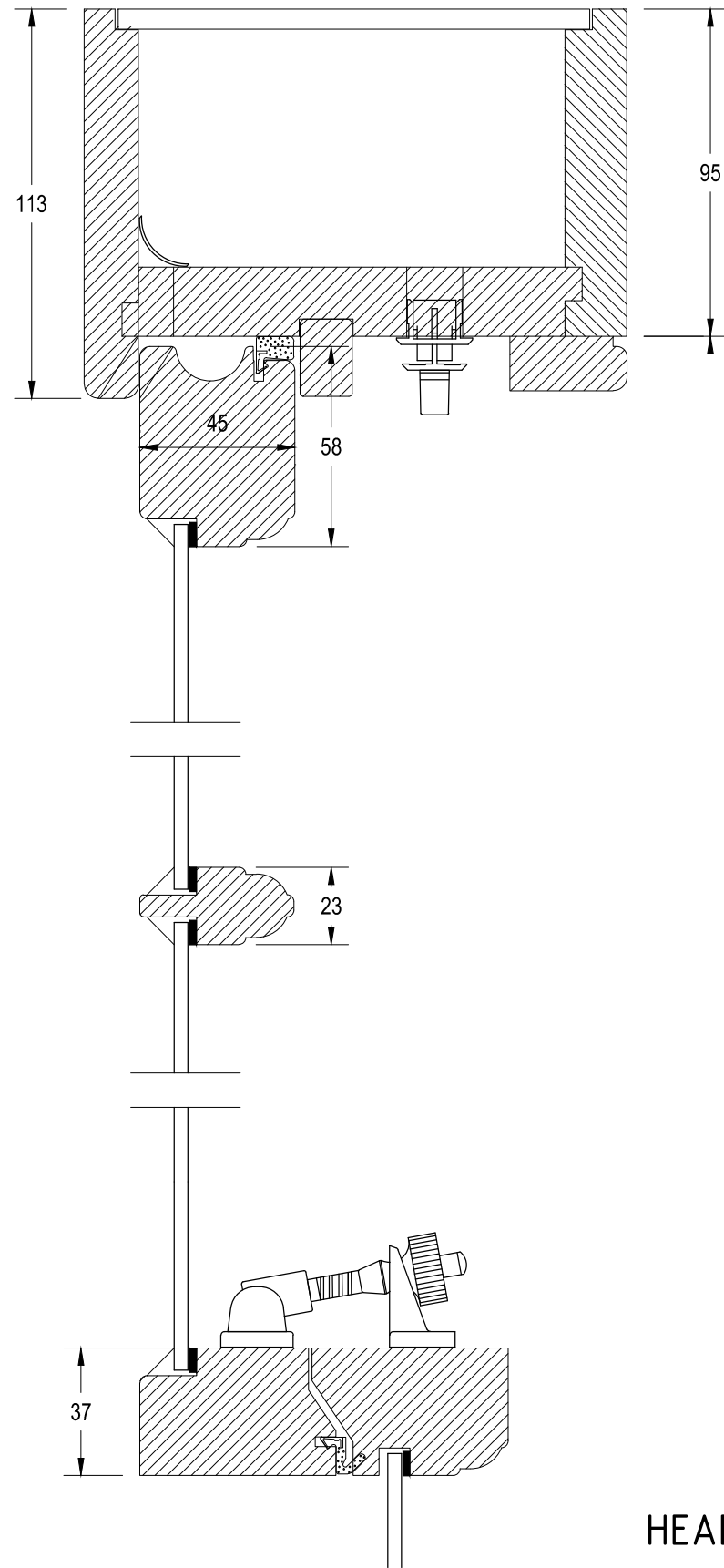


SECTION

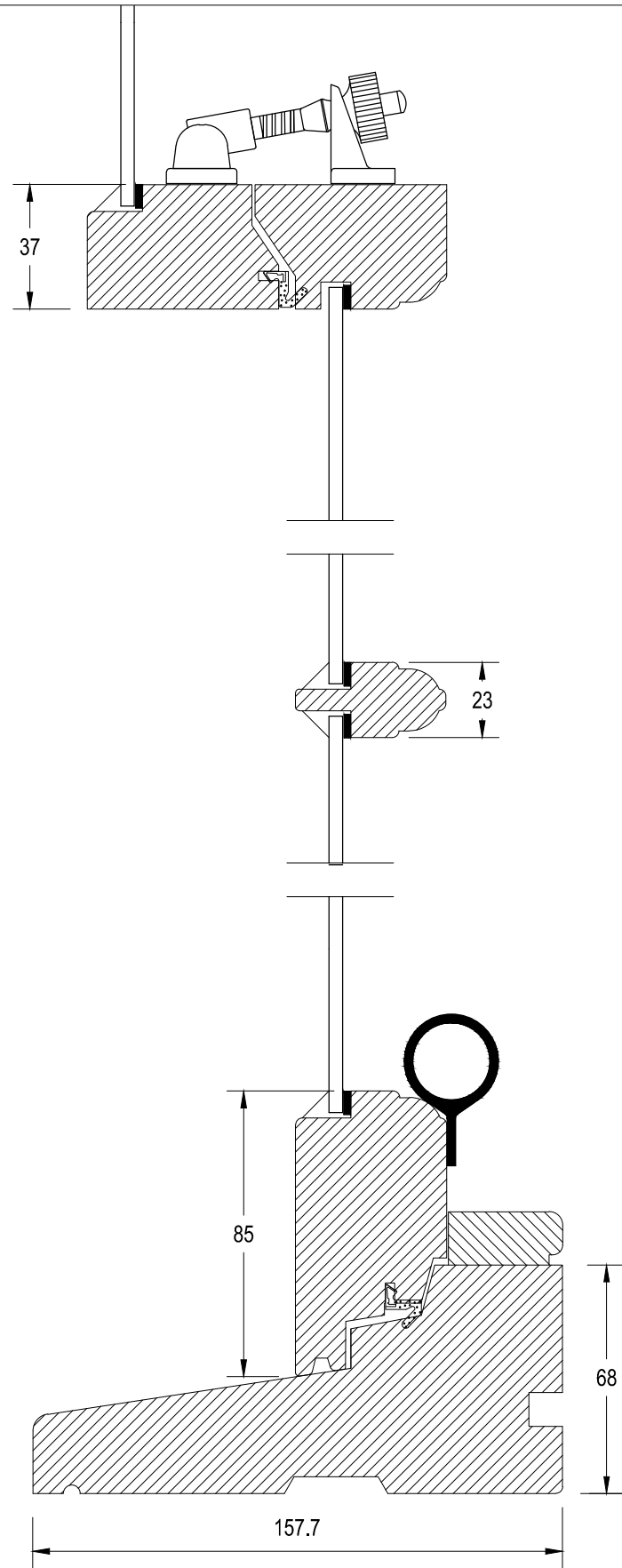


INTERNAL ELEVATION
WINDOW 01



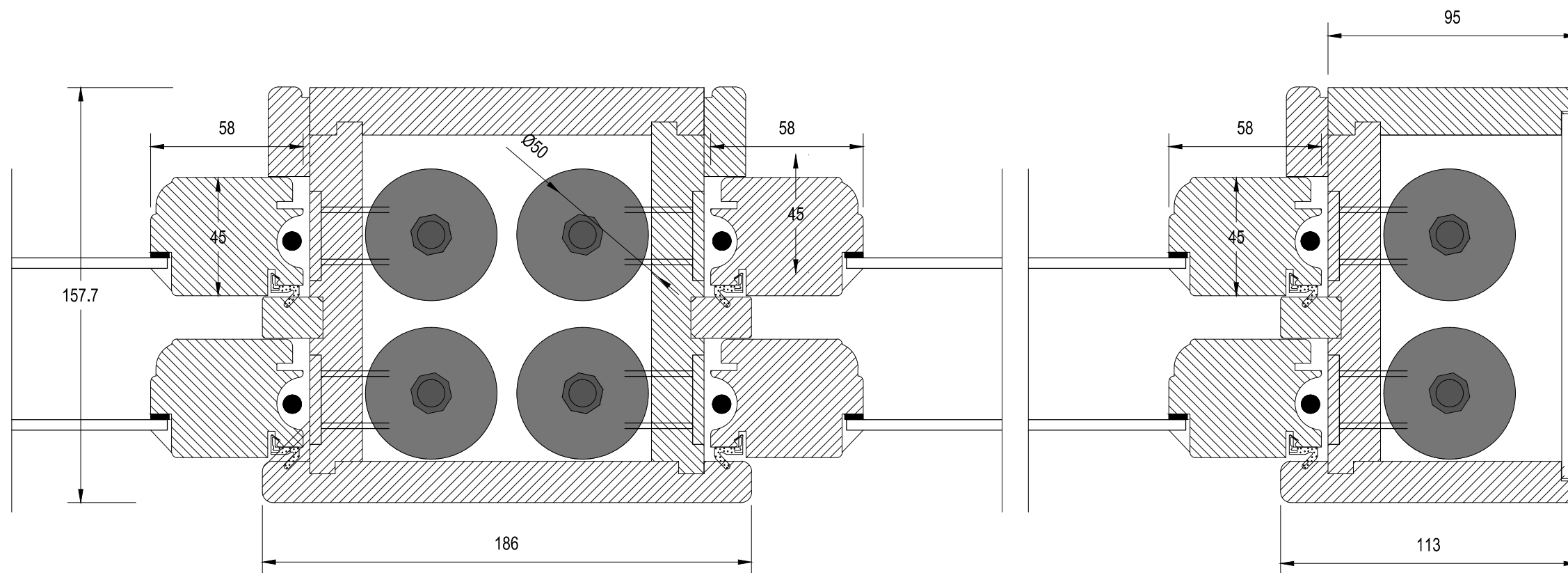


HEAD DETAIL



SILL DETAIL



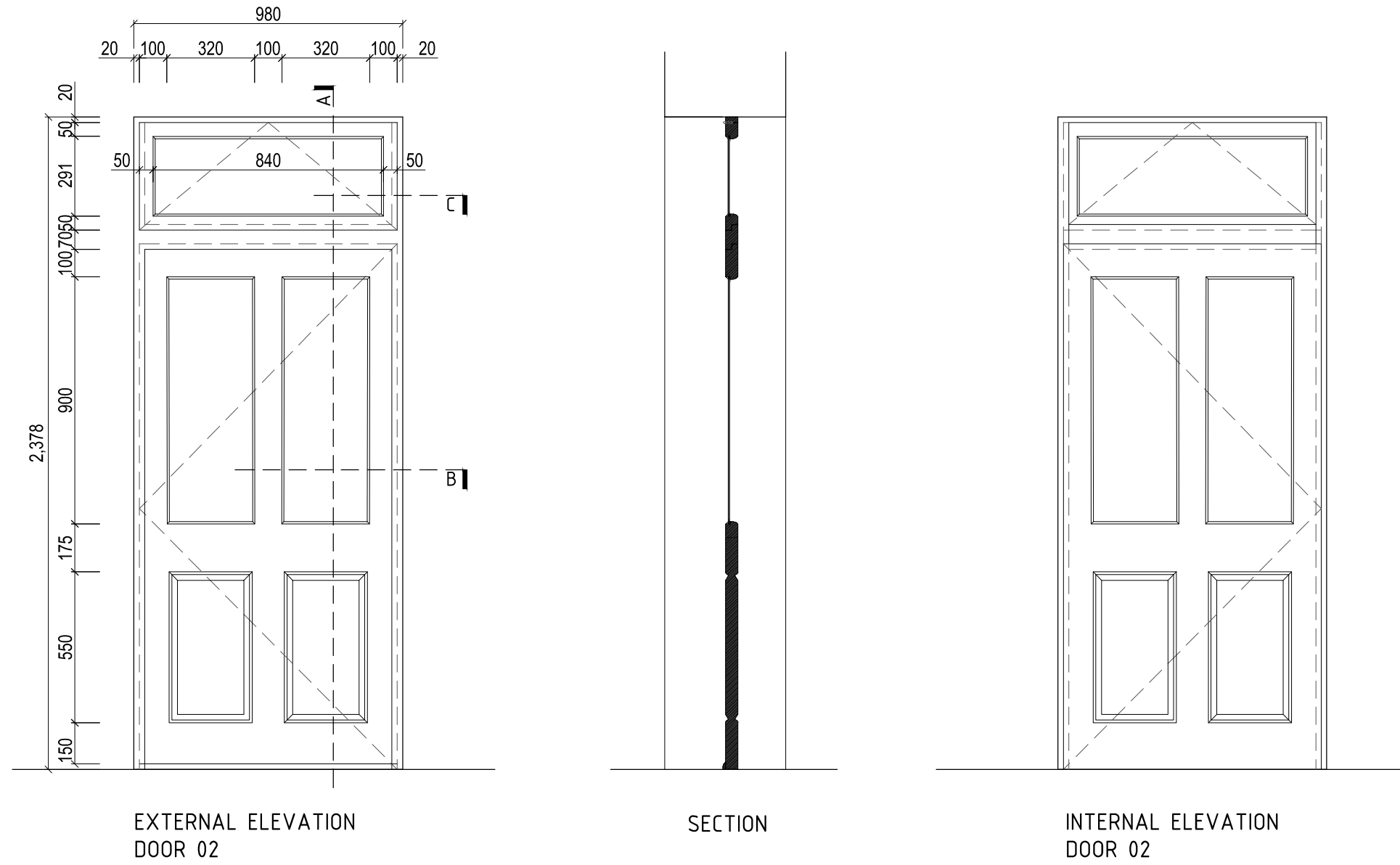


BOX MULLION DETAIL

JAMB DETAIL

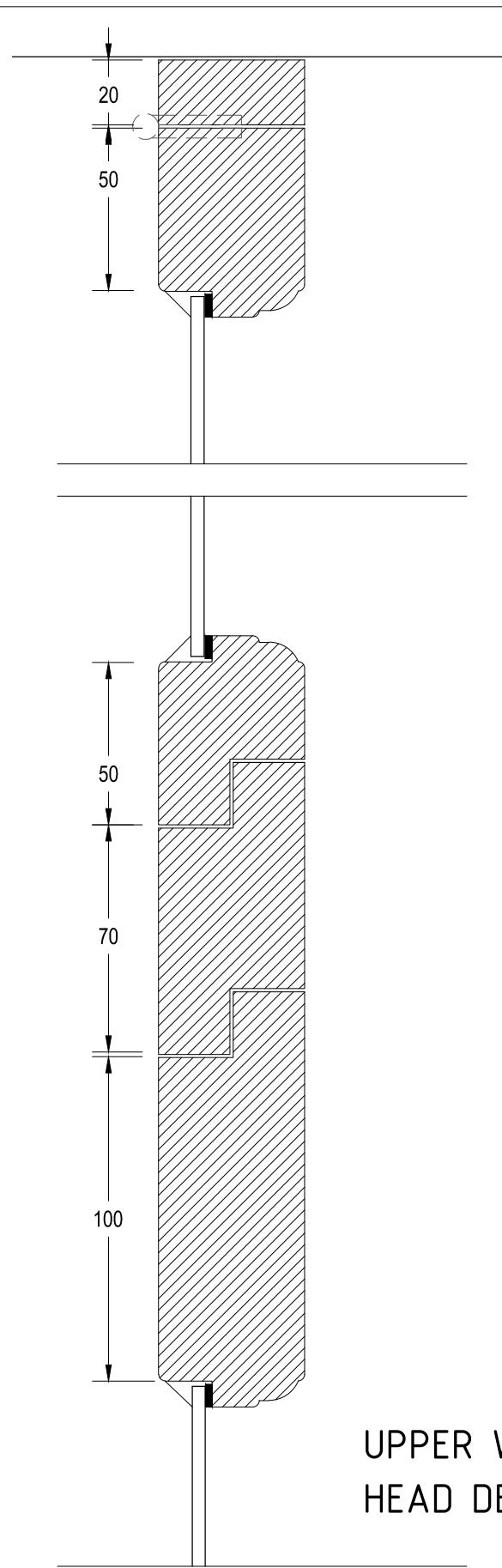


REAR ELEVATION - LOWER GROUND FLOOR PROPOSED DOOR 02 , PAINTED TIMBER

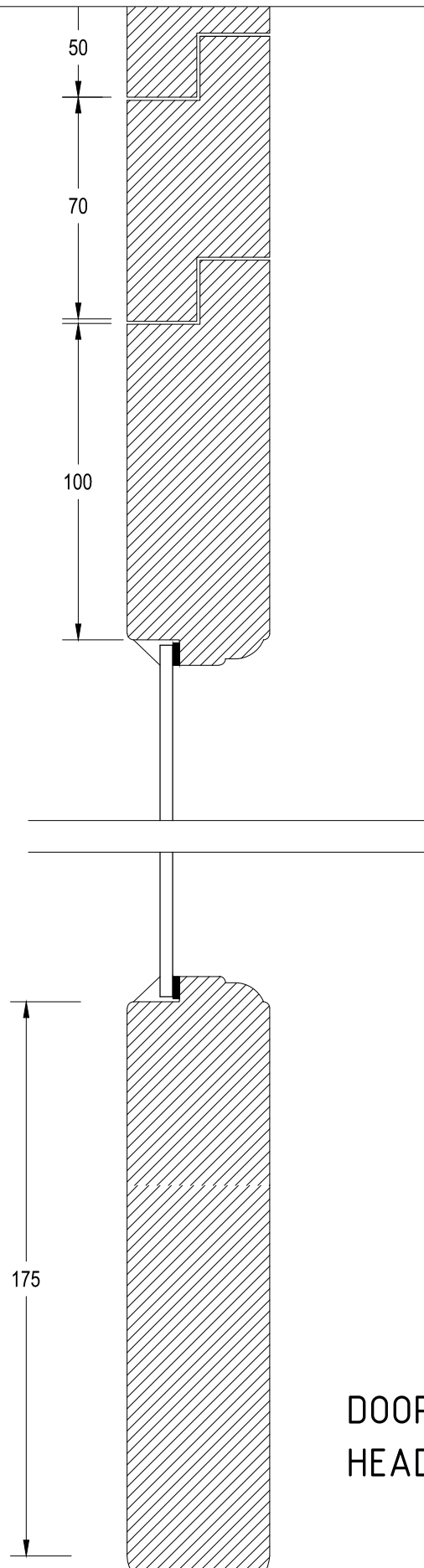


2 magdalen mews
back of 164 finchley road
london
NW3 5HB
tel:+44 (0)207 794 1625 fax:+44 (0) 207 794 0296
info@as-studio.co.uk

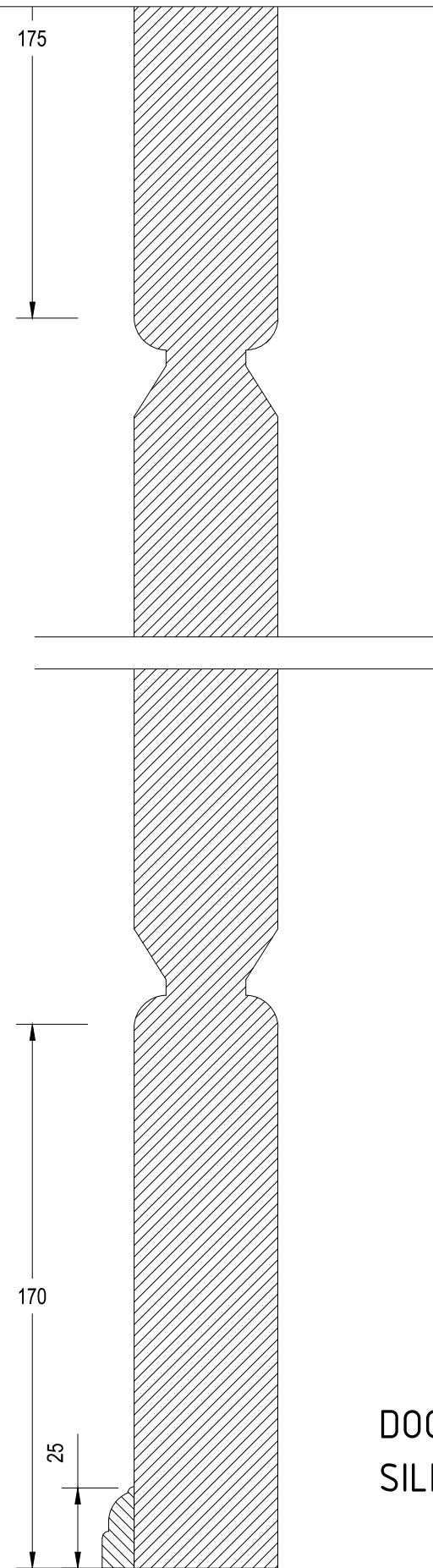
PROJECT ADDRESS: 113A CAMDEN STREET, NW1 0HX LONDON	PROPOSED DOOR 01 DETAIL			•
CLIENT NAME: -	DRAWING NO: 2113A(PLA)412	DWG FILE: 2113A(PLA)100-400		
	PROJECT STAGE: PLANNING	DRAWN: TK		
	VERSION:	SCALE: 1:20	SIZE: A3	DATE: MAY 2016



UPPER WINDOW
HEAD DETAIL

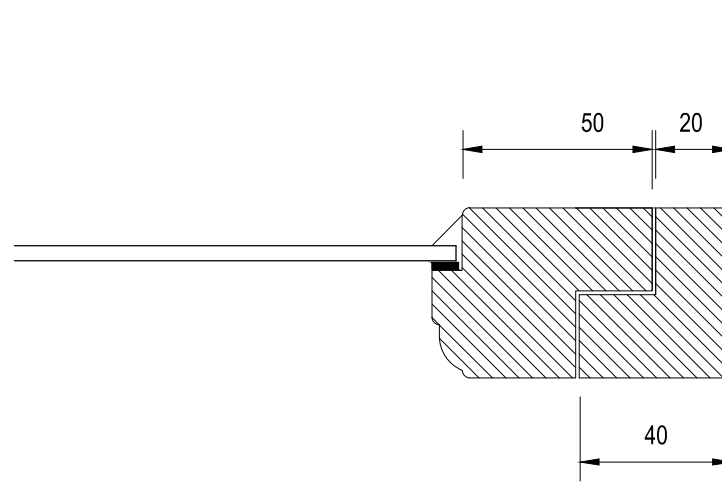


DOOR
HEAD DETAIL



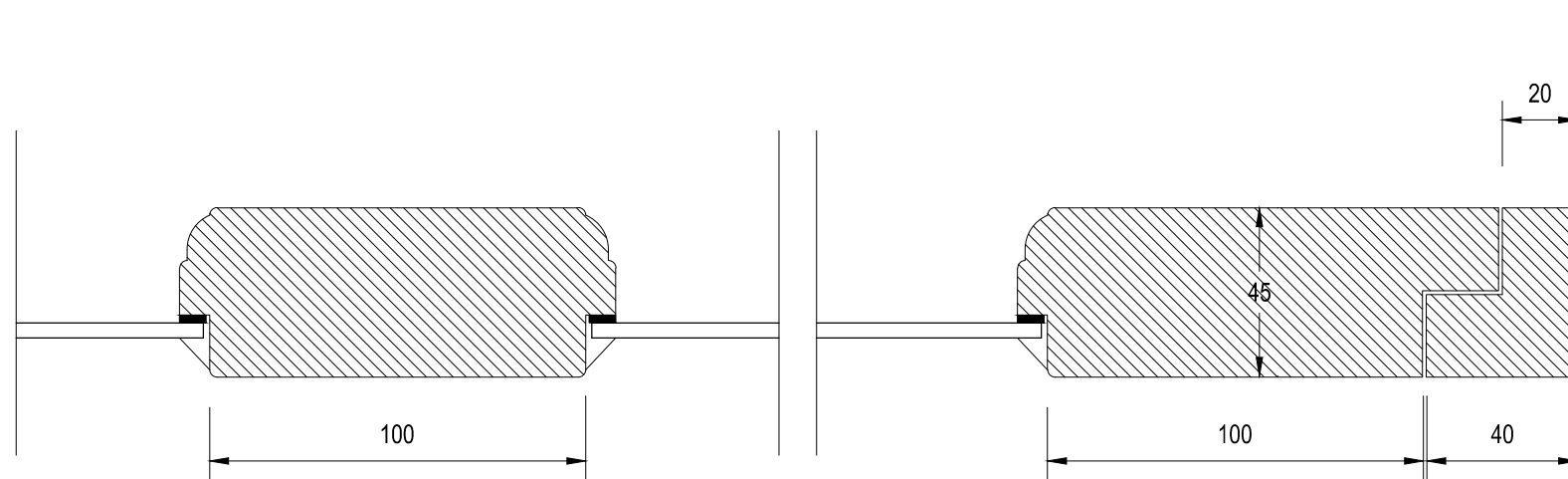
DOOR
SILL DETAIL





JAMB DETAIL

SECTION C



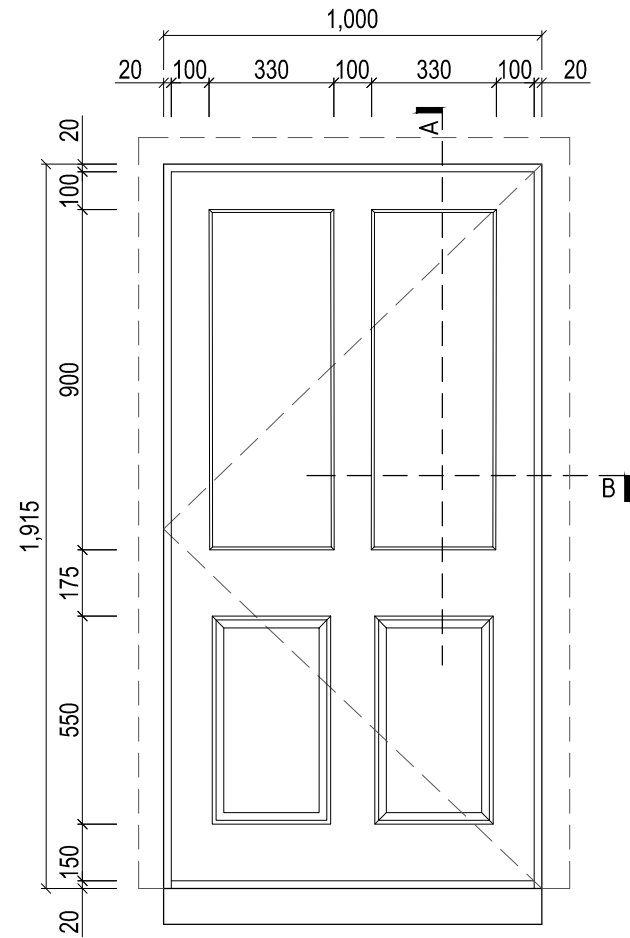
MULLION DETAIL

JAMB DETAIL

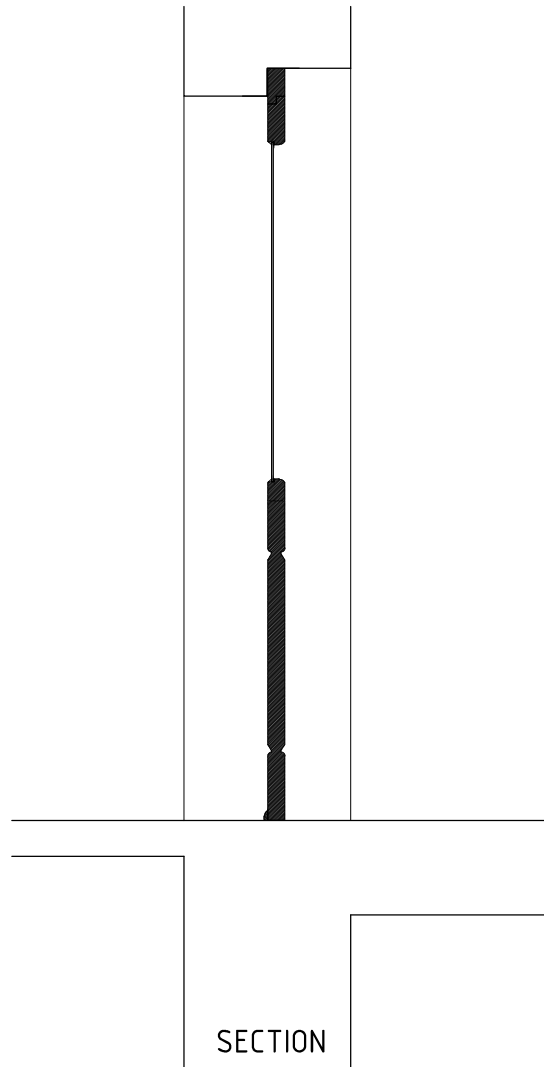
SECTION B



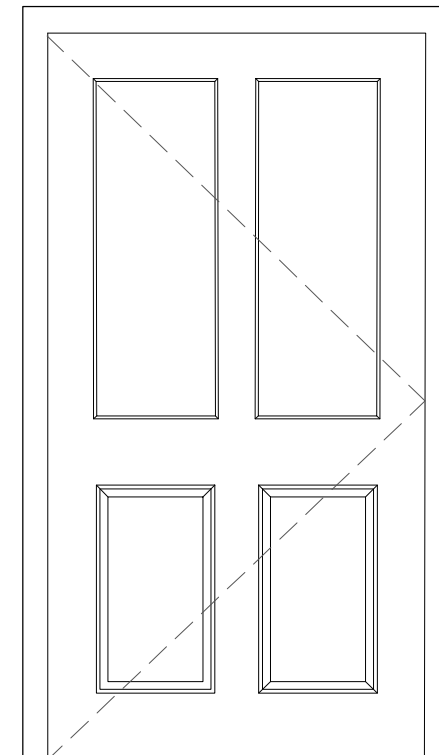
REAR ELEVATION - LOWER GROUND FLOOR EXISTING DOOR 01 , PAINTED TIMBER



EXTERNAL ELEVATION
DOOR 01

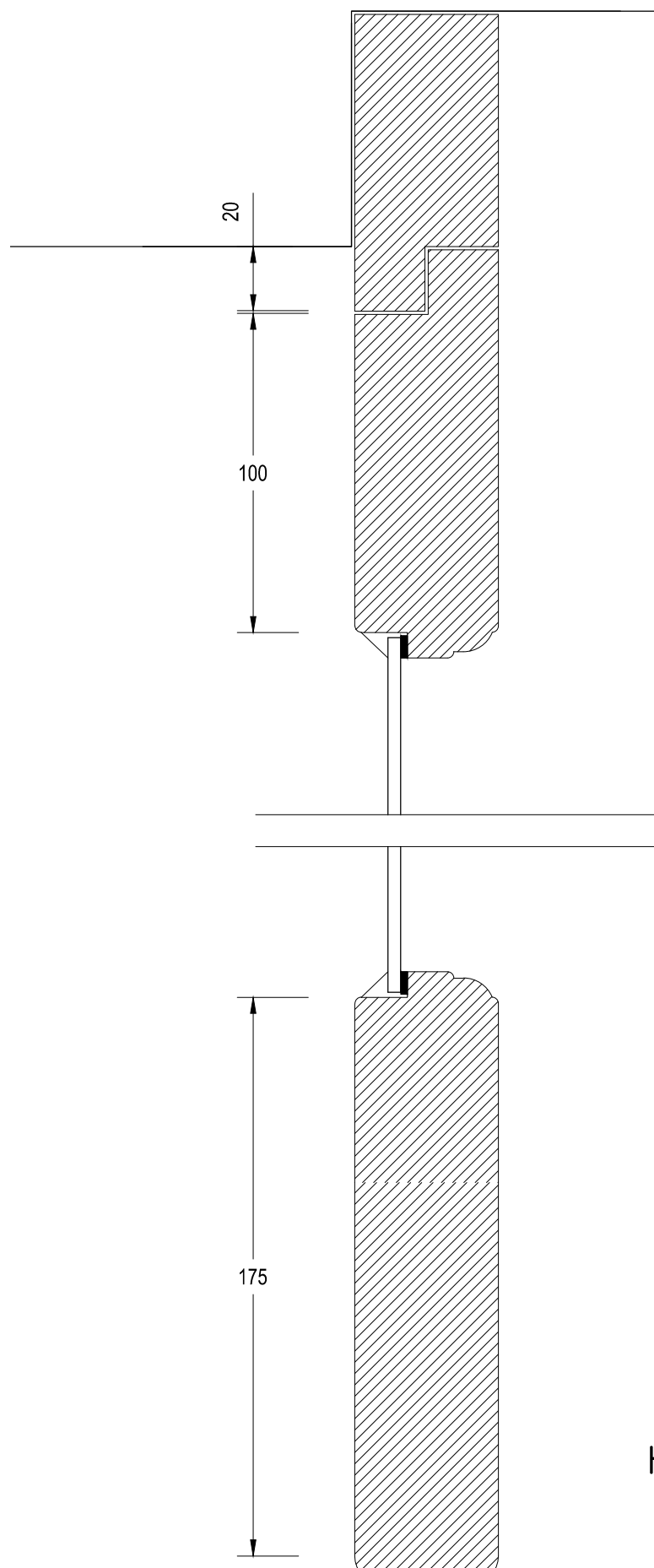


SECTION

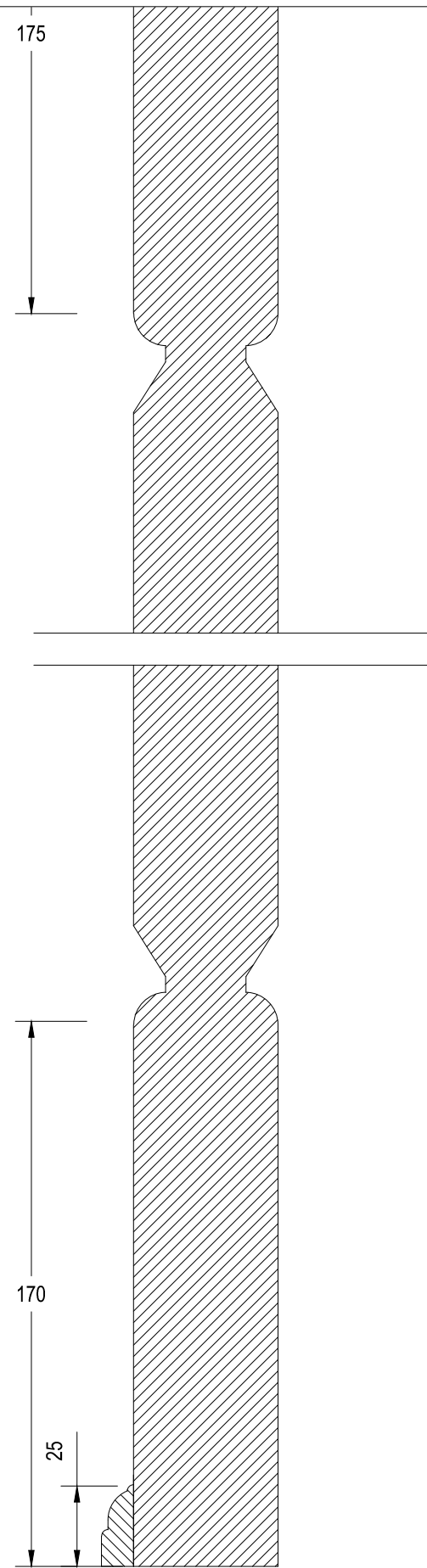


INTERNAL ELEVATION
DOOR 01





HEAD DETAIL



SILL DETAIL



