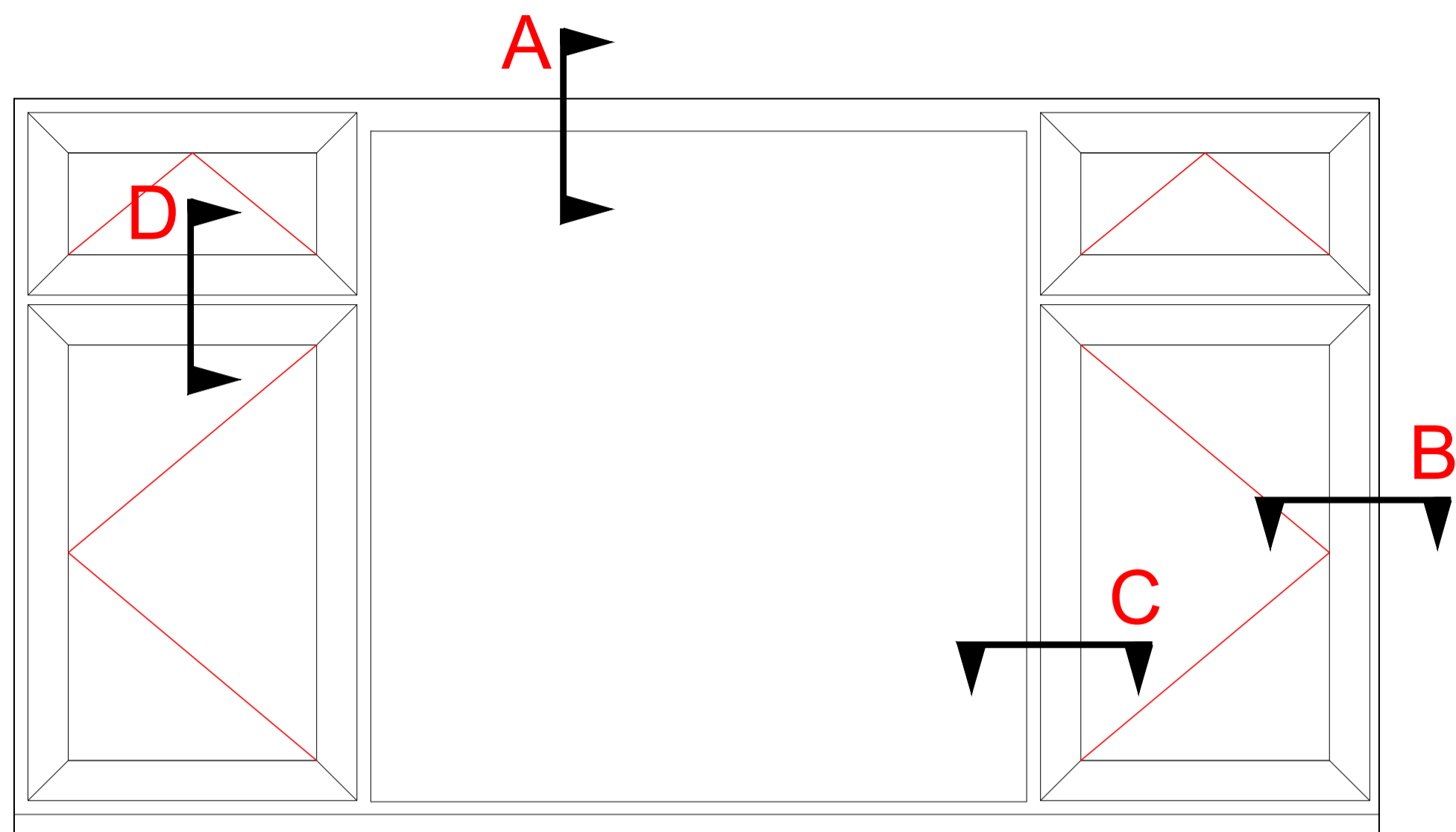
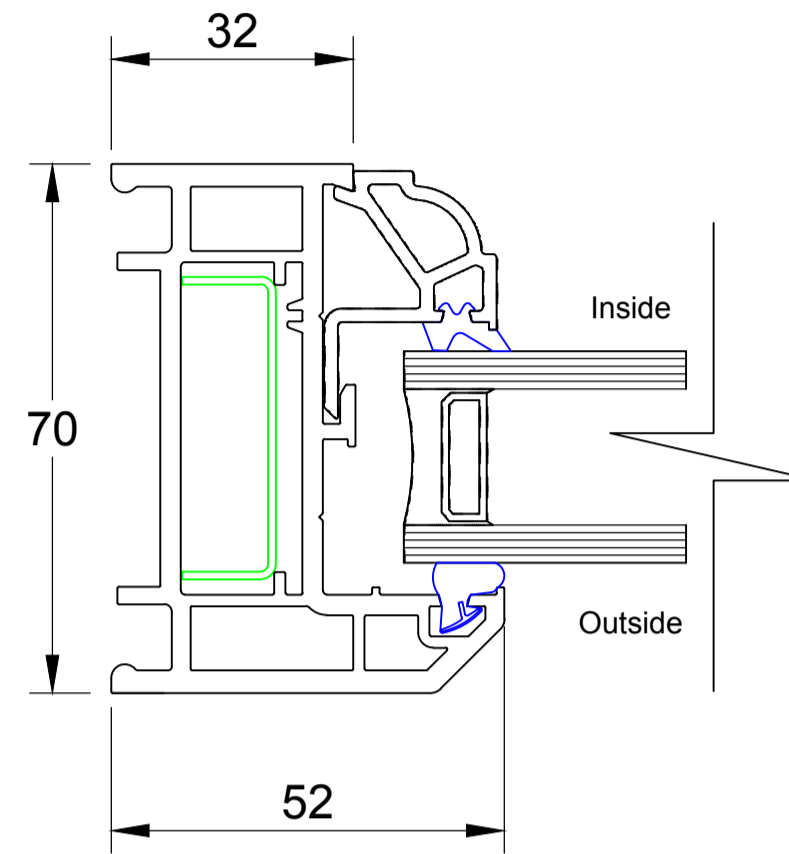


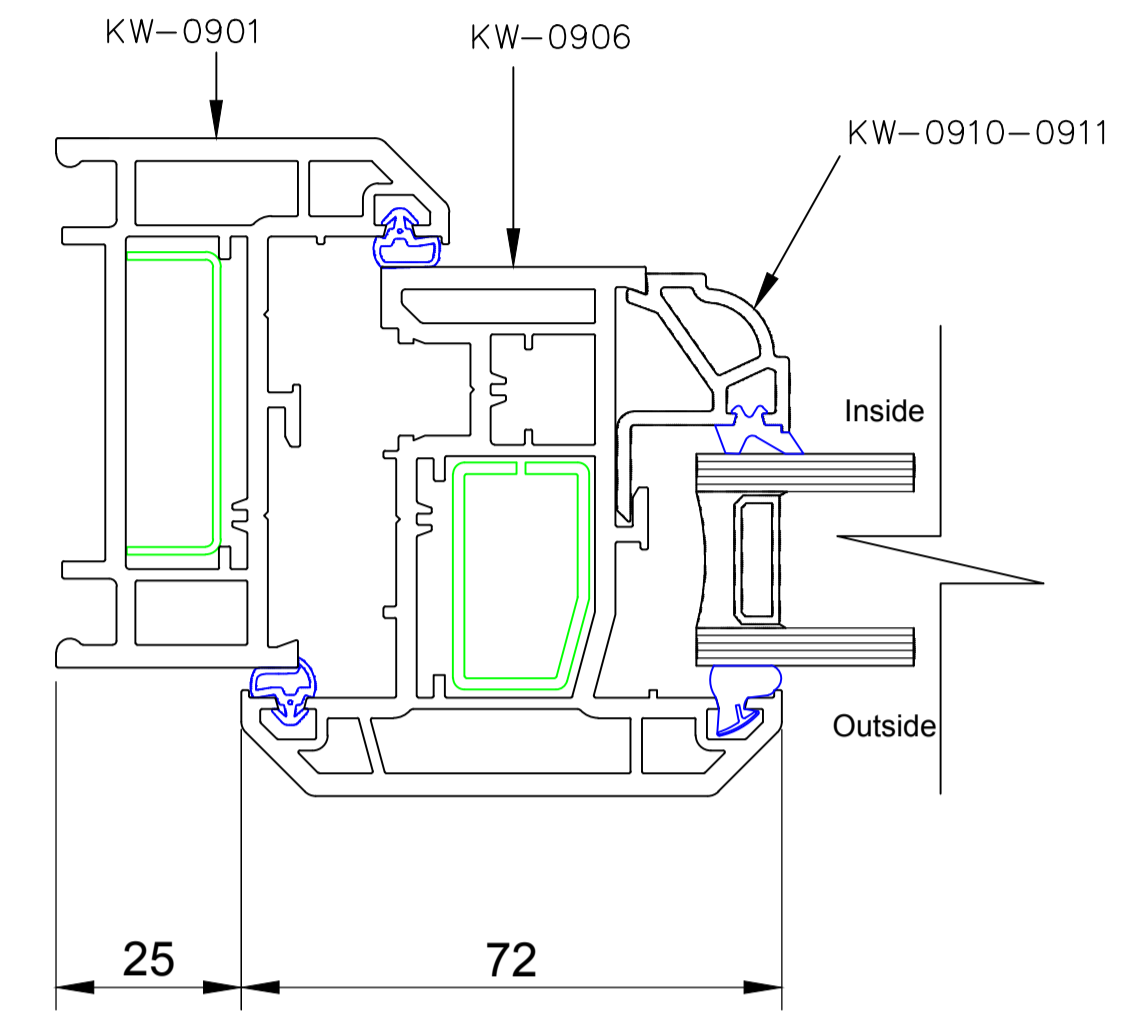
PVCu WINDOW
1:10



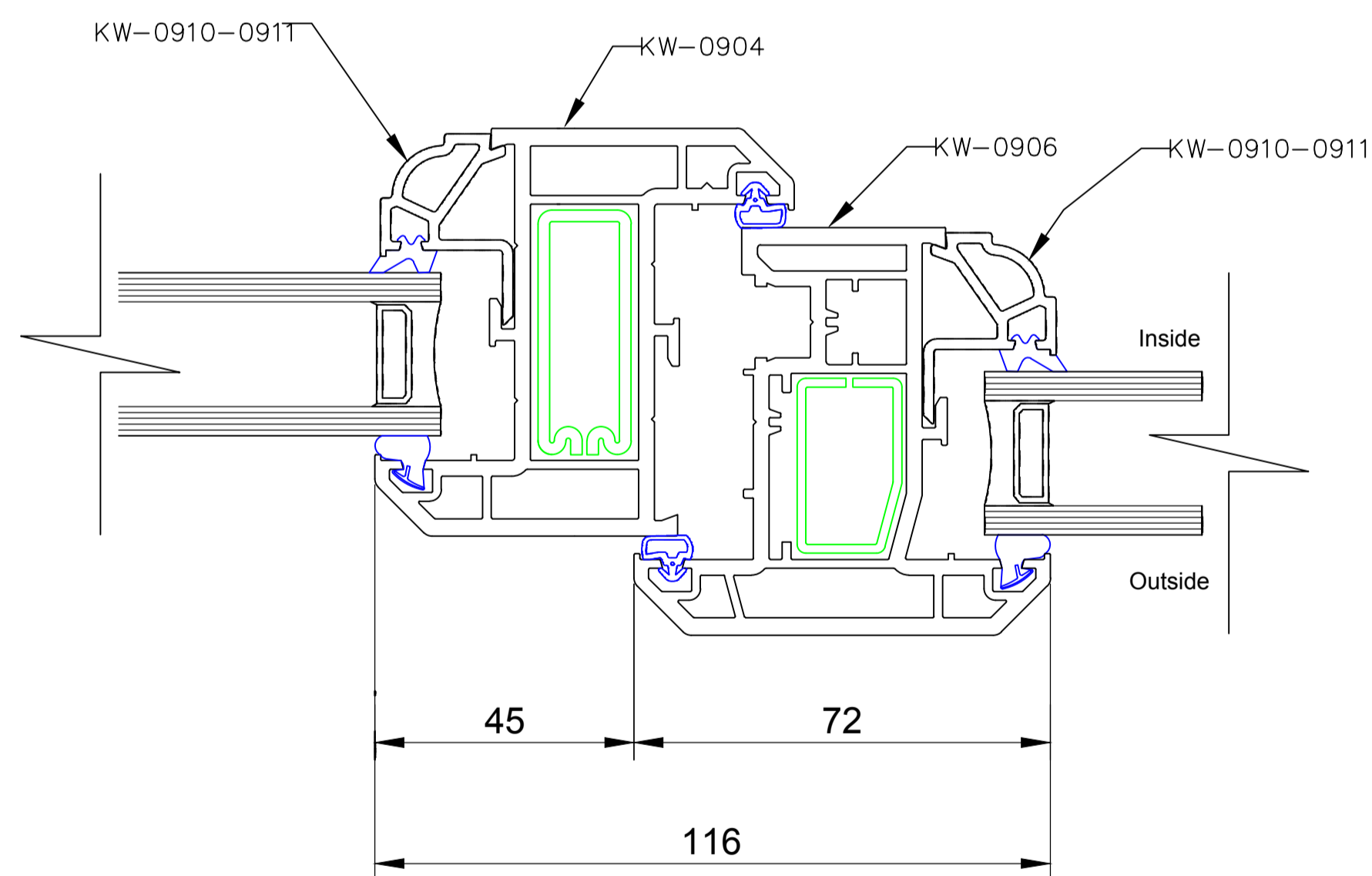
SECTION A
1:1



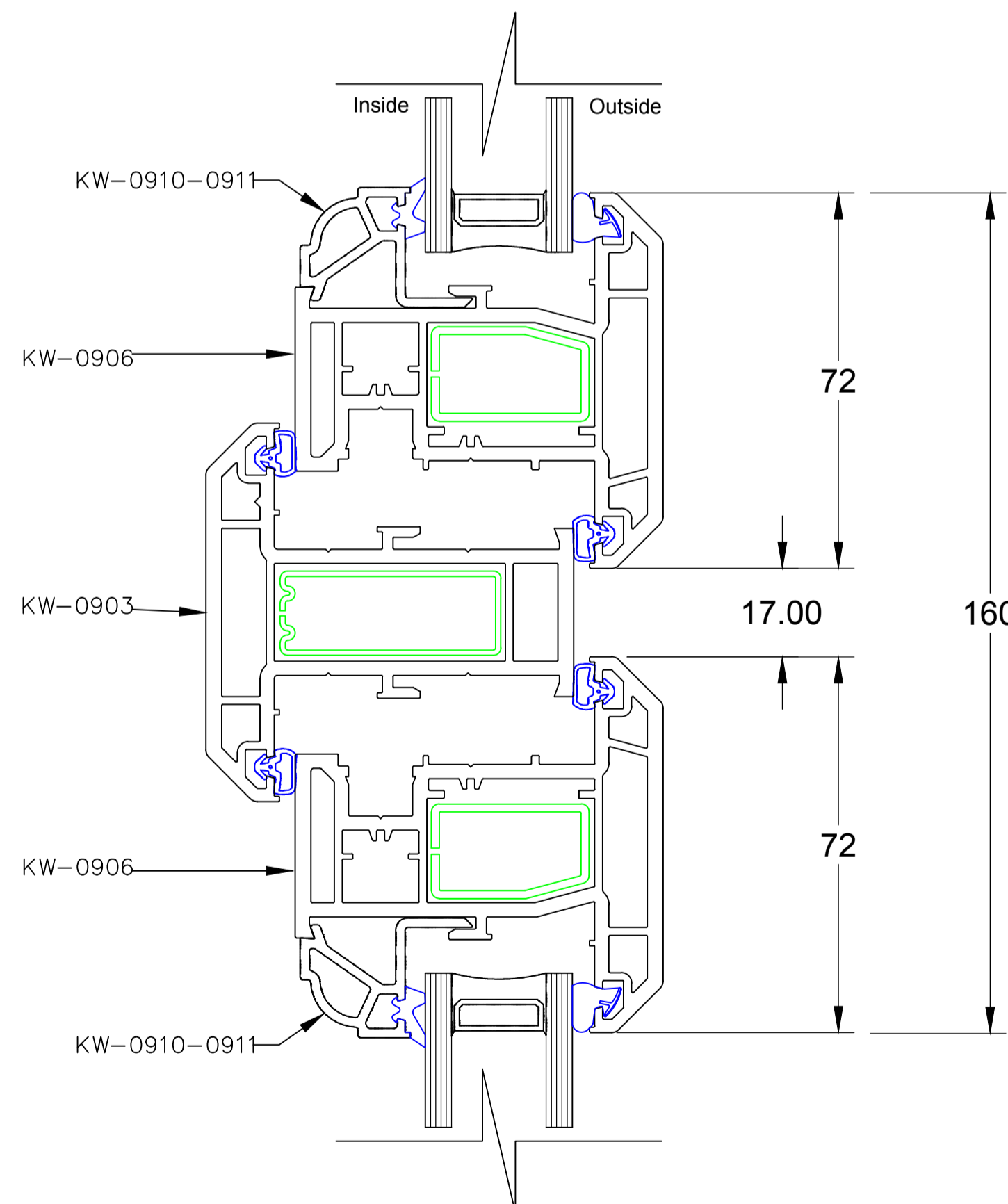
SECTION B
1:1



SECTION C
1:1



SECTION D
1:1



1. All dimensions in millimetres (mm) and levels in metres (m) unless noted otherwise.
2. This drawing to be read in conjunction with all other relevant drawings and specification.
3. All work to comply with the relevant British Standards, Codes of Practice and the Building Regulations.

Revisions:

Customer: Mr Amit Ranna
Flat 6
24 Buckland Crescent
London
NW3 5DU

Drawing Title:
Sections

Drawing No: 3307/PP/05

Revision:

Scale: As Shown

Date: 05 July 2016

Drawn: I.MURCIA

Size: A1

Contract No: SO3307AU



EVEREST
CONSERVATORIES
EVEREST HOUSE
SOPERS ROAD
CUFFLEY
EN6 4SG

© Crown copyright. All rights reserved.
License numbers 010031673 and 100042205

