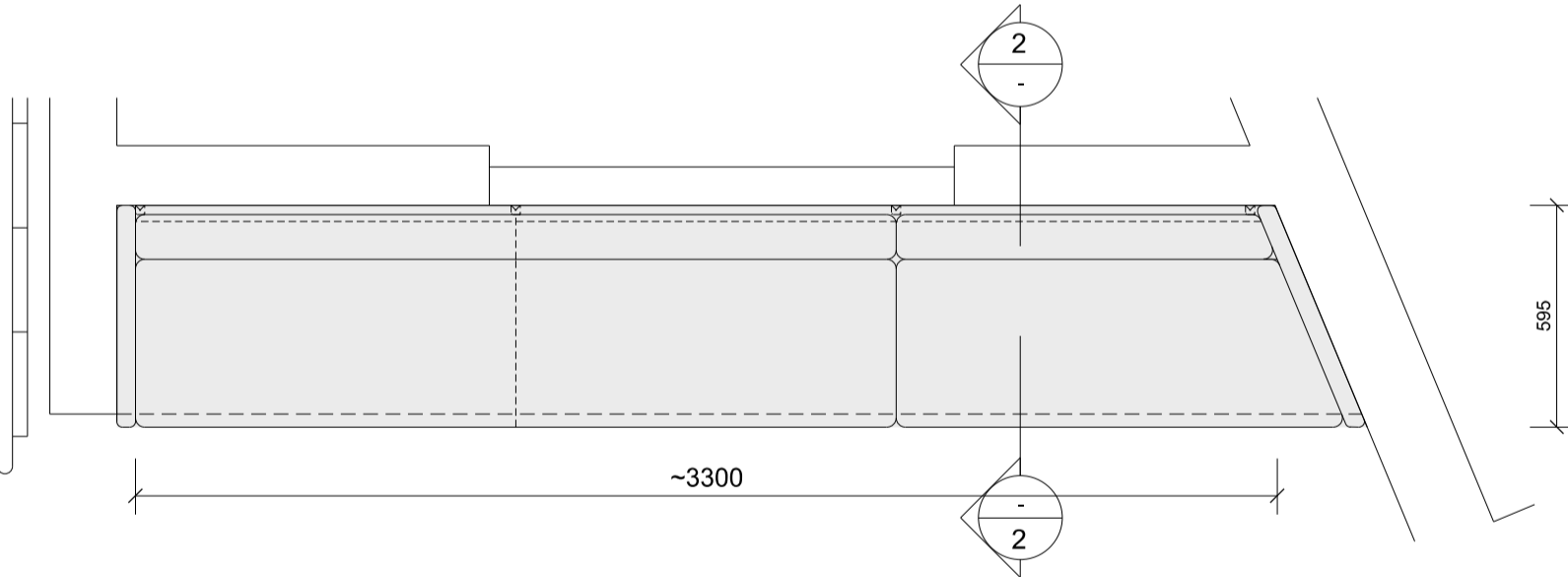
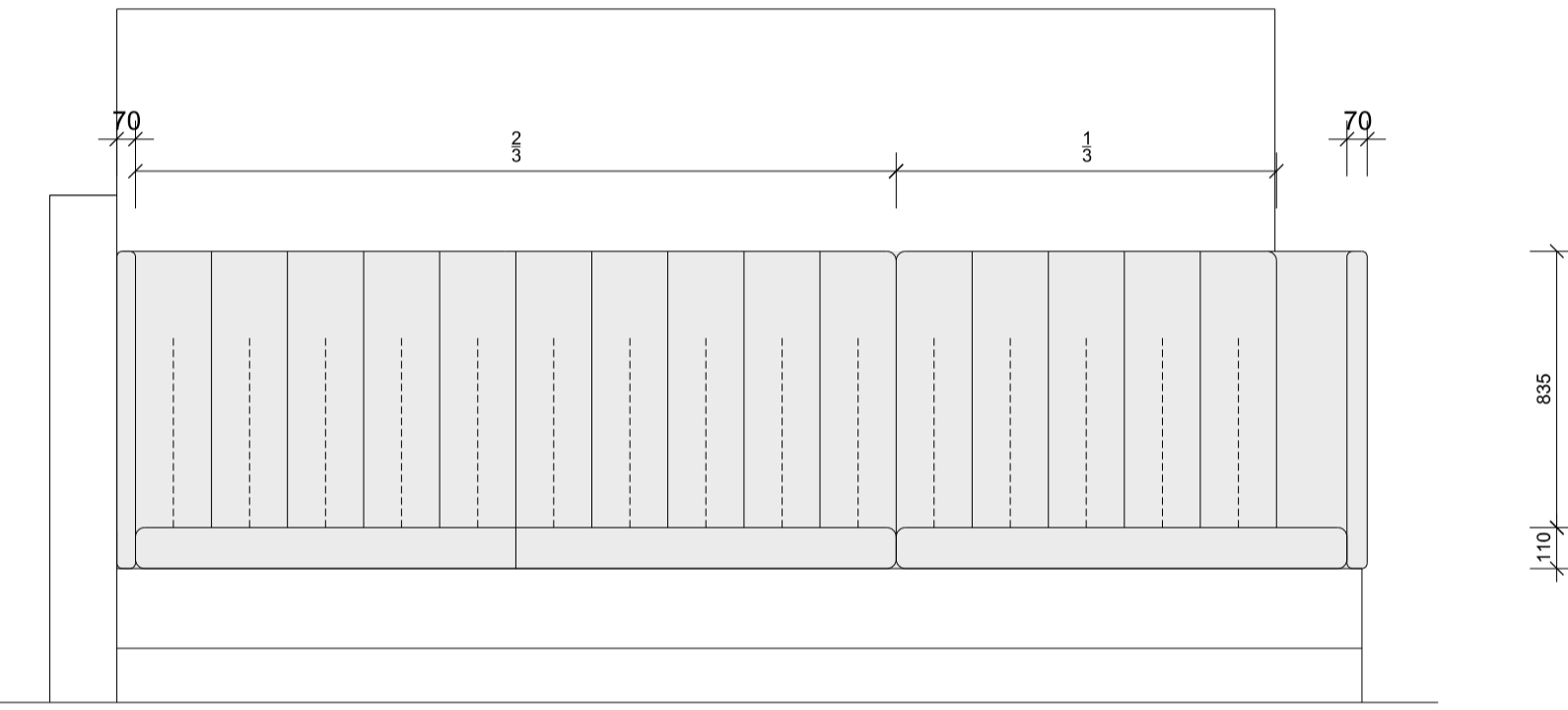
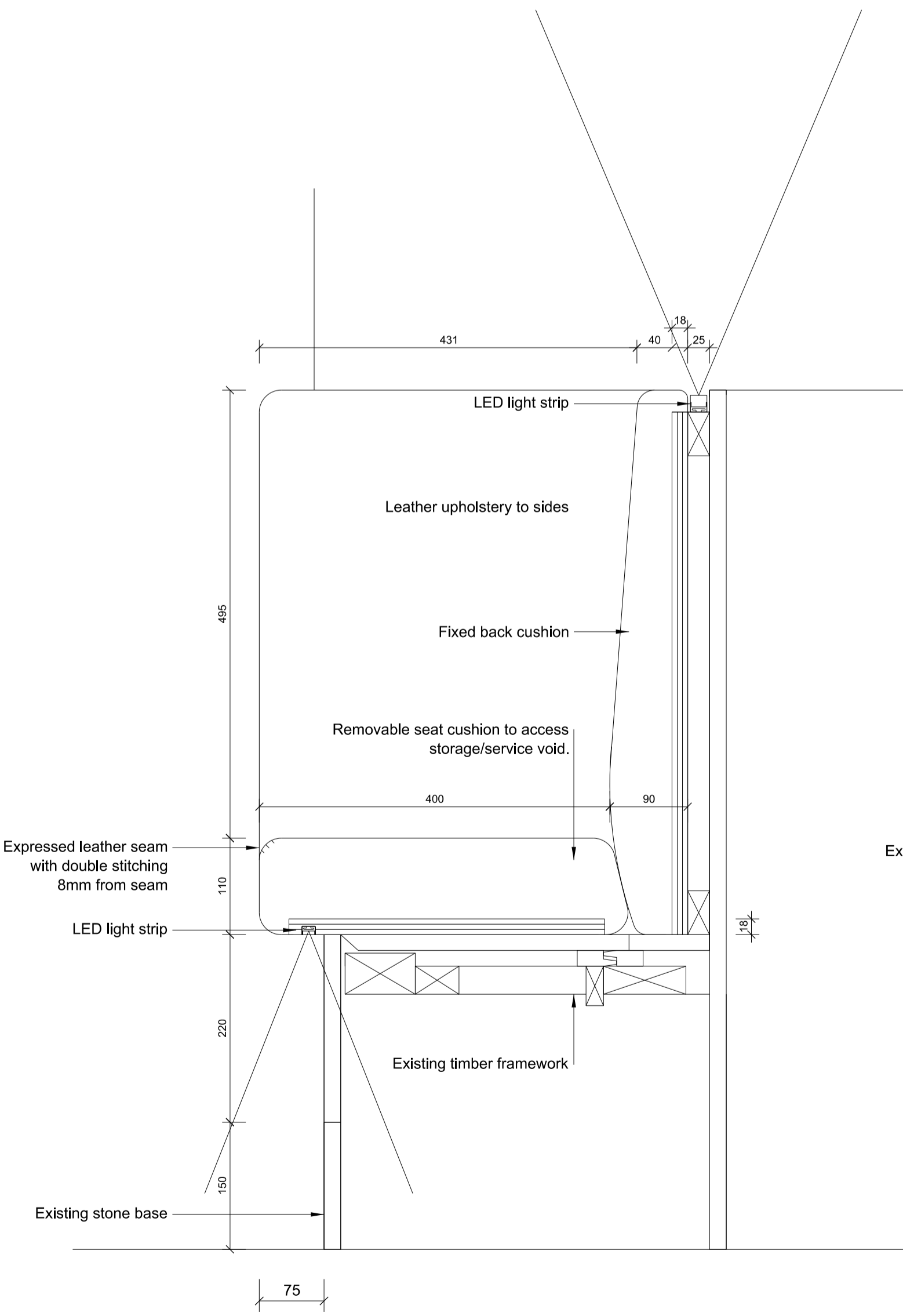
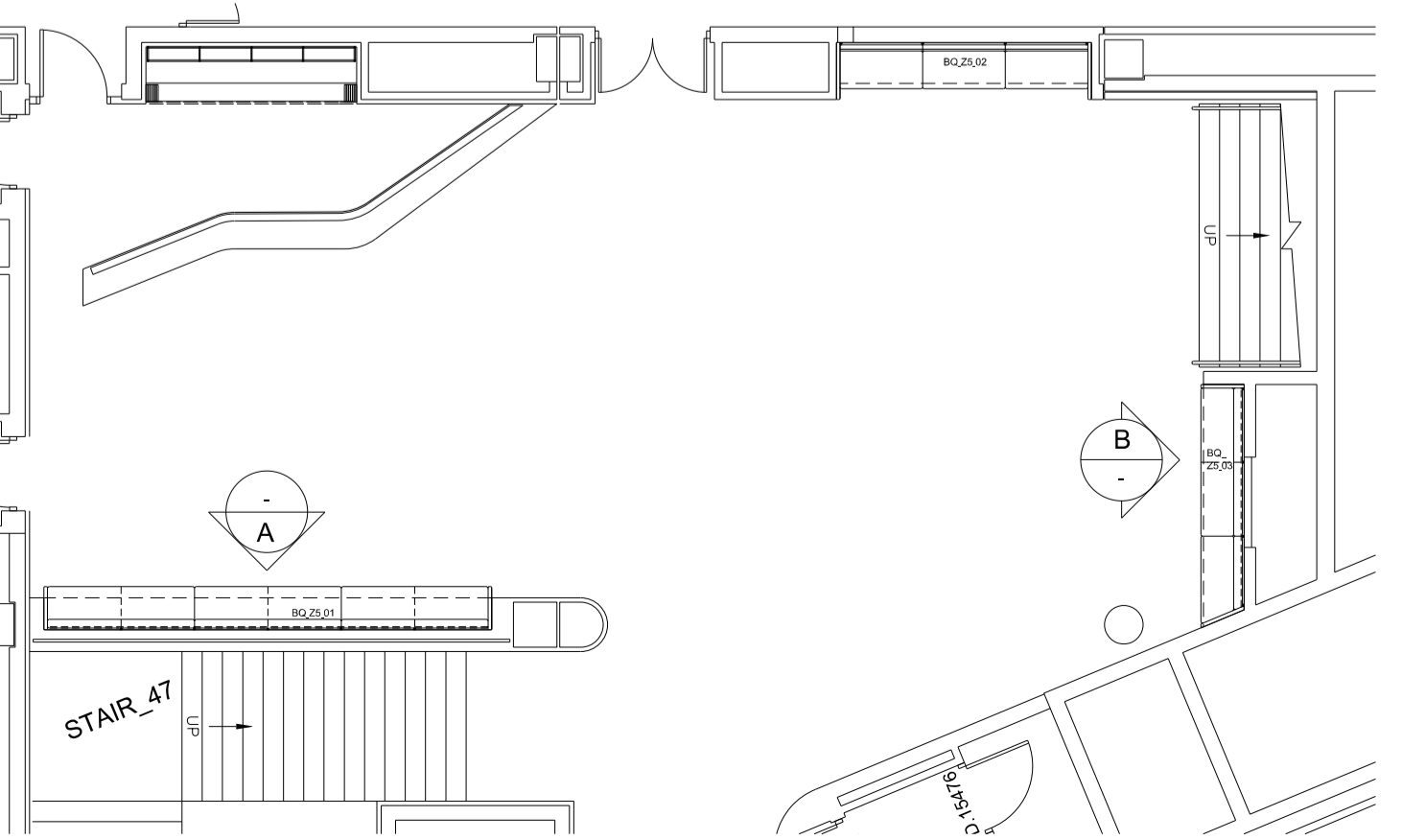


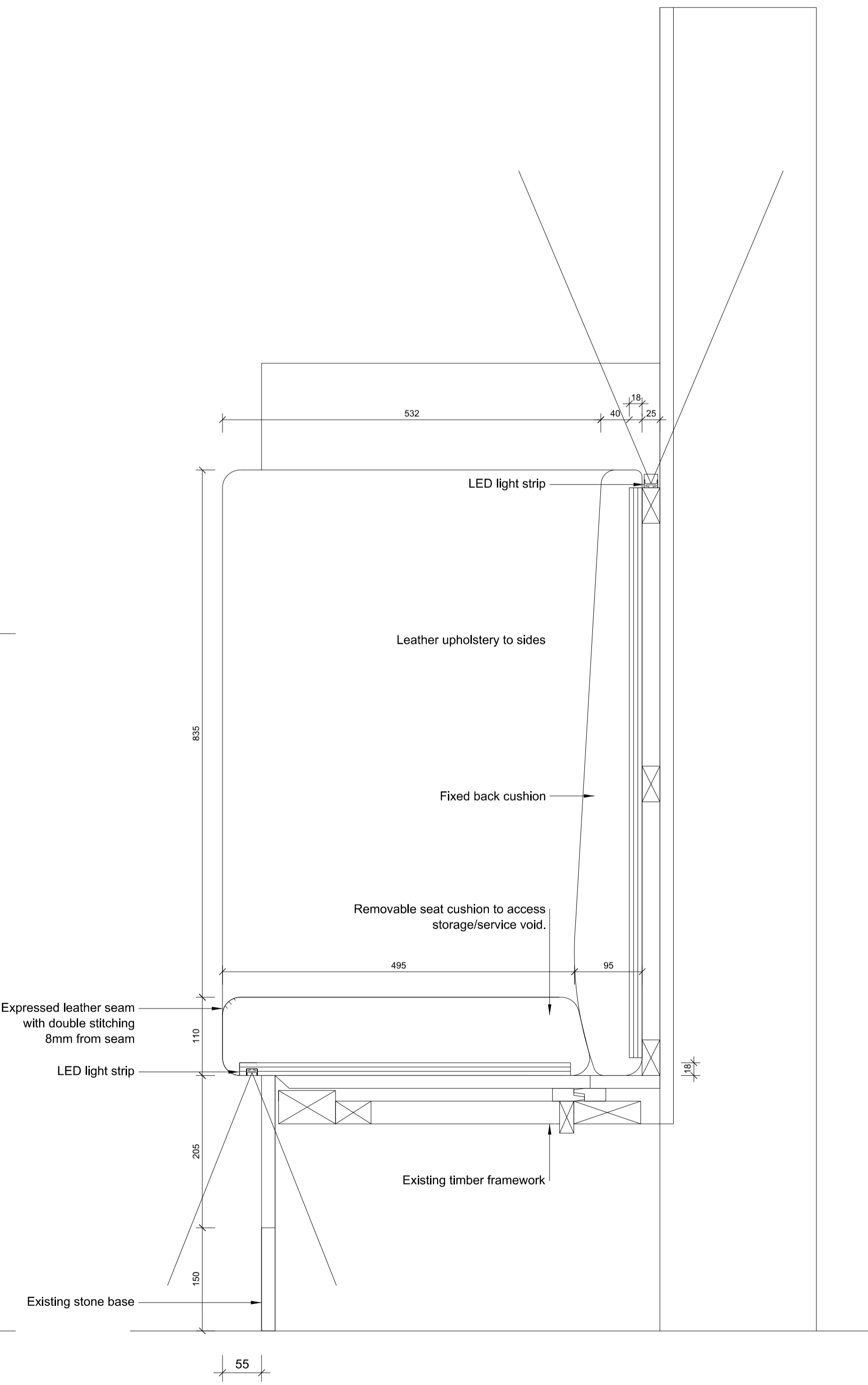
A BANQUETTE BQ_Z5-01: PLAN AND ELEVATION
 Banquette spec. ref.: N10/167
 Frame: Existing
 Upholstery finish: Alma leather - Range: Positano, Colour: Pumpkin
 SCALE 1:20



B BANQUETTE BQ_Z5-03: PLAN AND ELEVATION
 Banquette spec. ref.: N10/167
 Frame: Existing
 Upholstery finish: Alma leather - Range: Positano, Colour: Pumpkin
 SCALE 1:20



1 BANQUETTE BQ_Z5-01: SECTION DETAIL
 SCALE 1:5



2 BANQUETTE BQ_Z5-03: SECTION DETAIL
 SCALE 1:5

Do not scale from this drawing.
 This drawing may not be based on an accurate survey.
 DMR do not accept responsibility for dimensions taken from this drawing.
 The Contractor is to check all building and site dimensions prior to construction or production. All discrepancies and omissions on site must be reported to DMR for comment or approval prior to commencing works.
 This drawing is to be read and checked in conjunction with engineer's and other specialist drawings & specifications.
 The drawing and the works depicted are the copyright of this practice and may not be reproduced except by written permission.

| REV | DATE | DESCRIPTION | BY | CHKD |
|-----|---------|------------------|----|------|
| T1 | 11/5/16 | Issue for Tender | RB | JEM |
| T2 | 13/5/16 | Issue for Tender | RB | JEM |



de matos ryan
 99-100 Turnmill Street
 London EC1M 5QP
 T 020 7336 0100
 mail@dematosryan.co.uk

PROJECT NAME
THE BRITISH LIBRARY
 Member and Conference Facilities
 96 Euston Road, London, NW1 2DB

TITLE
 ZONE 5
 CONFERENCE CENTRE
 BANQUETTES PLANS AND ELEVATIONS

| SCALE | DATE | BY | CHECKED |
|-------|------|---------|---------|
| 1:20 | @A1 | 23/3/16 | RB |
| 1:40 | @A3 | | JEM |

STATUS
TENDER

DOCUMENT No.
583_A_Z5_78-301

REV
T2