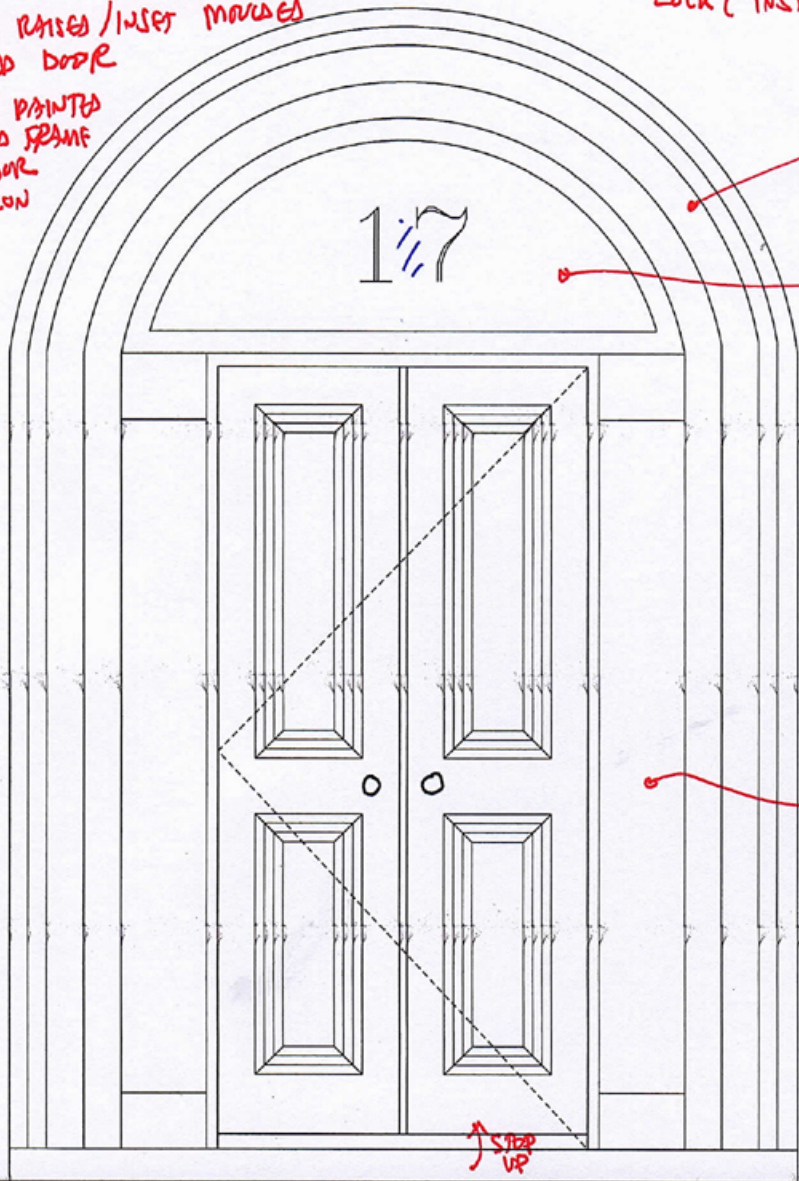


SPECIFICATION:

- INSET 6mm THICK SINGLE GLAZED ROOFLIGHT
- 7 PANEL RAISED / INSET MOLDING PANELLLED DOOR
- BLACK PAINTED HARDWOOD FRAME AND DOOR CONSTRUCTION

- DOOR HANDLES TO BE BACH PAPERLIN (INSIDE + OUTSIDE) WITH BRASS HINGES + LOCK (INSIDE ONLY)



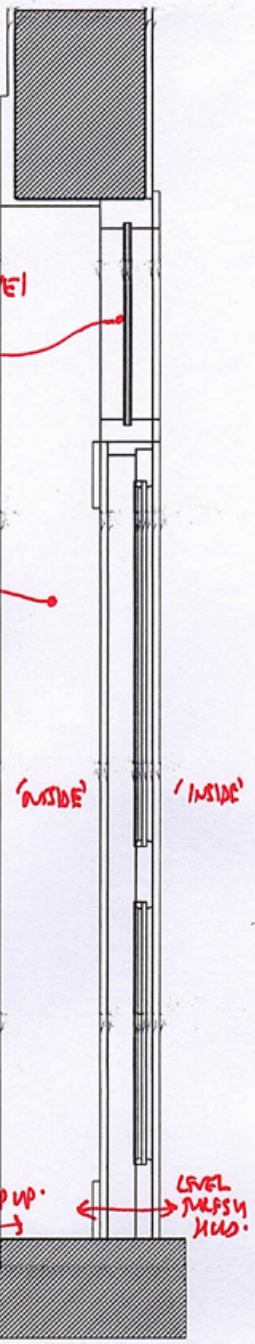
EXTERNAL ELEVATION

DECORATIVE EXTERNAL ARCHED DOOR / TRANSOM MOLDING

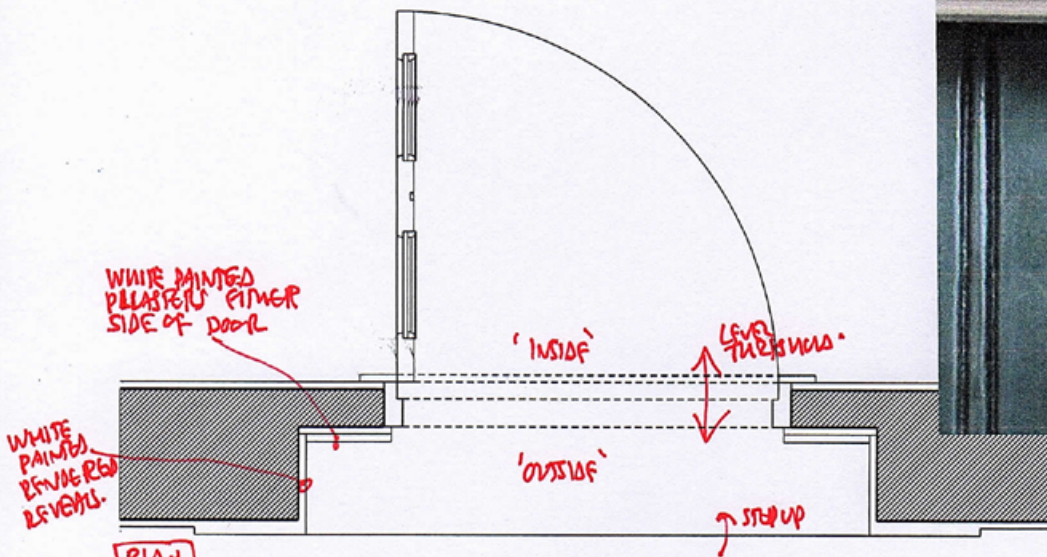
CLEAR GLAZED ROOFLIGHT IN BLACK PAINTED HARDWOOD FRAME

WHITE PAINTED RENGERS REVEALS

WHITE PAINTED PLASTERS EITHER SIDE OF DOOR



SECTION



PLAN



MOLDING DETAIL

MONTANA HOTEL: 16-18 ARGYLE SQUARE, LONDON
 FRONT ENTRANCE DOOR: FRONT ELEVATION (DOOR D.G.02)
 1:20 SCALE @ A4 SIZE | 15/06/16 | SK160625/02

NOTE:
 SAME DOOR DETAILING TO OTHER 2ND. DOORS TO FRONT ELEVATION