

DRAWING 1(A)

39(a BUCKLAND CRESCENT NW3 5DJ

FRONT RECESSED BASEMENT 2 (No.) side hung casement windows. 1 single the other double opener with floating/dummy mullion

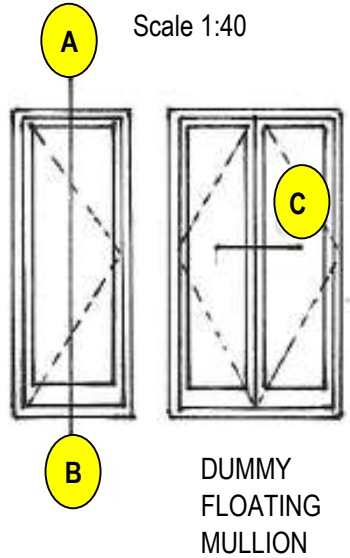
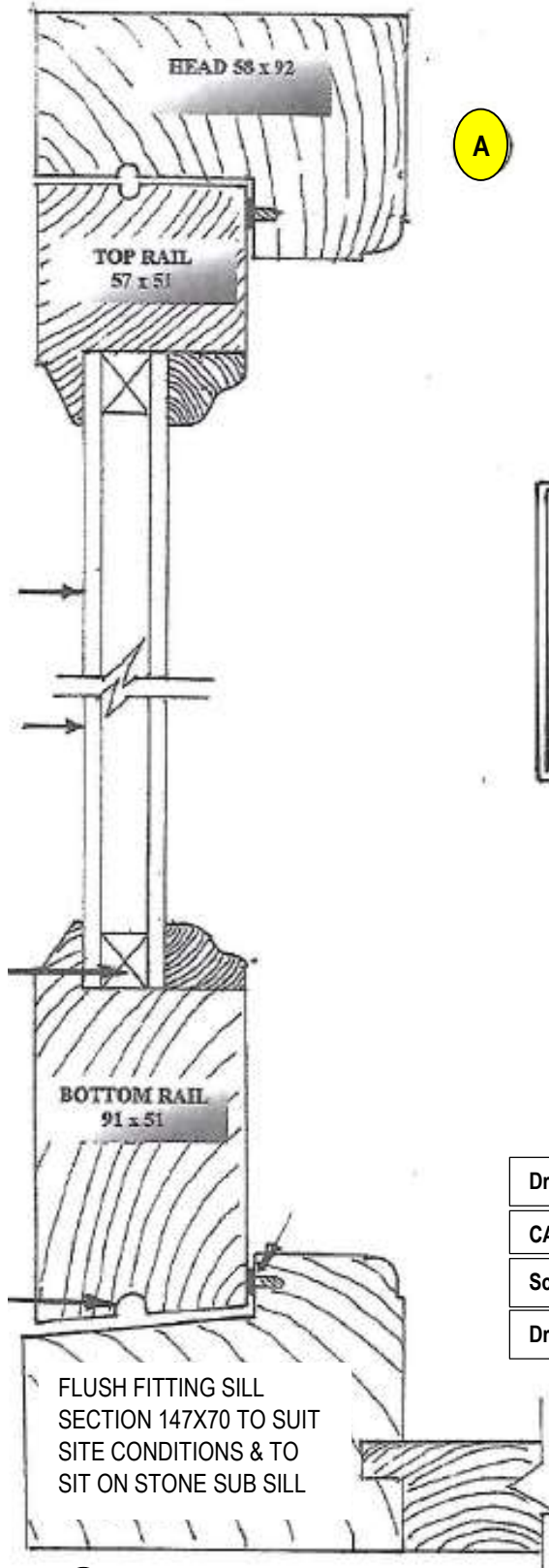
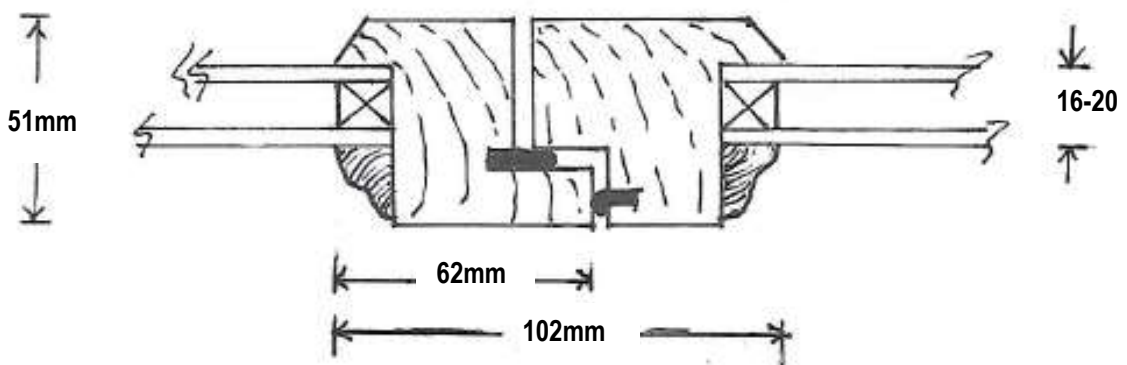


GLAZING UNITS ARGON FILLED
LOW E OPTIWHITE
16 or 20mm Units

WHITE WARM EDGE SPACER

CAPILLARY GROOVES

HORIZONTAL CROSS SECTION
SHOWING FLOATING MULLION



Drawn By: Des Ward	
CASEMENT WINDOW DETAILS	
Scale: 1:75	JUNE 2016
Drawing Nos. TWC 106/16, 107/1, 108/16	