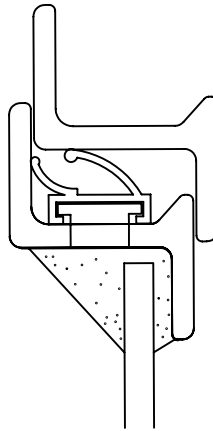
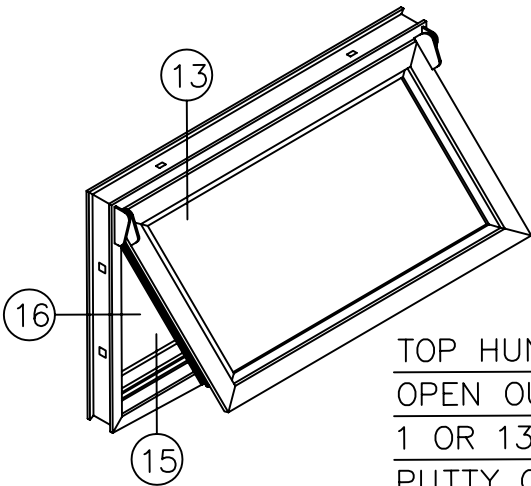


SECTION 13

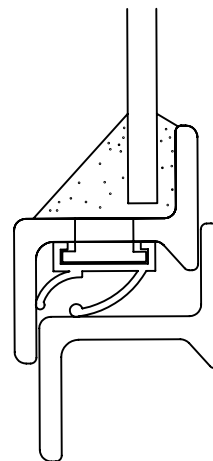
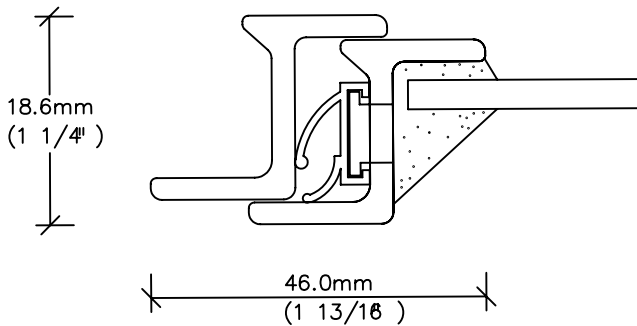


SIDE HUNG  
OPEN OUT  
1 TYPE  
PUTTY GLAZED



TOP HUNG  
OPEN OUT  
1 OR 13 TYPE  
PUTTY GLAZED

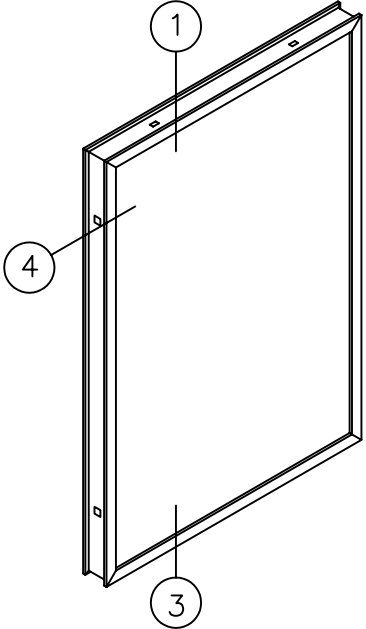
SECTION 16



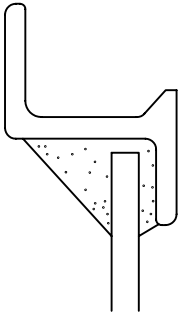
SECTION 15

STEEL  
S

# Homelight Windows

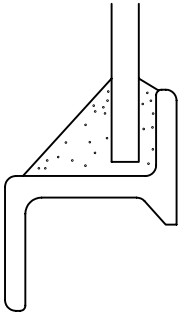
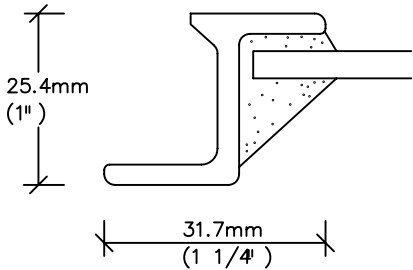


SECTION 1



FIXED LIGHT  
5, 13 OR 14 TYPE  
PUTTY GLAZED

SECTION 4



SECTION 3

W  
E  
E  
L  
S

This drawing is the property of Crittall Windows Ltd and is a confidential document and must not be copied or its contents divulged without prior consent.

B1