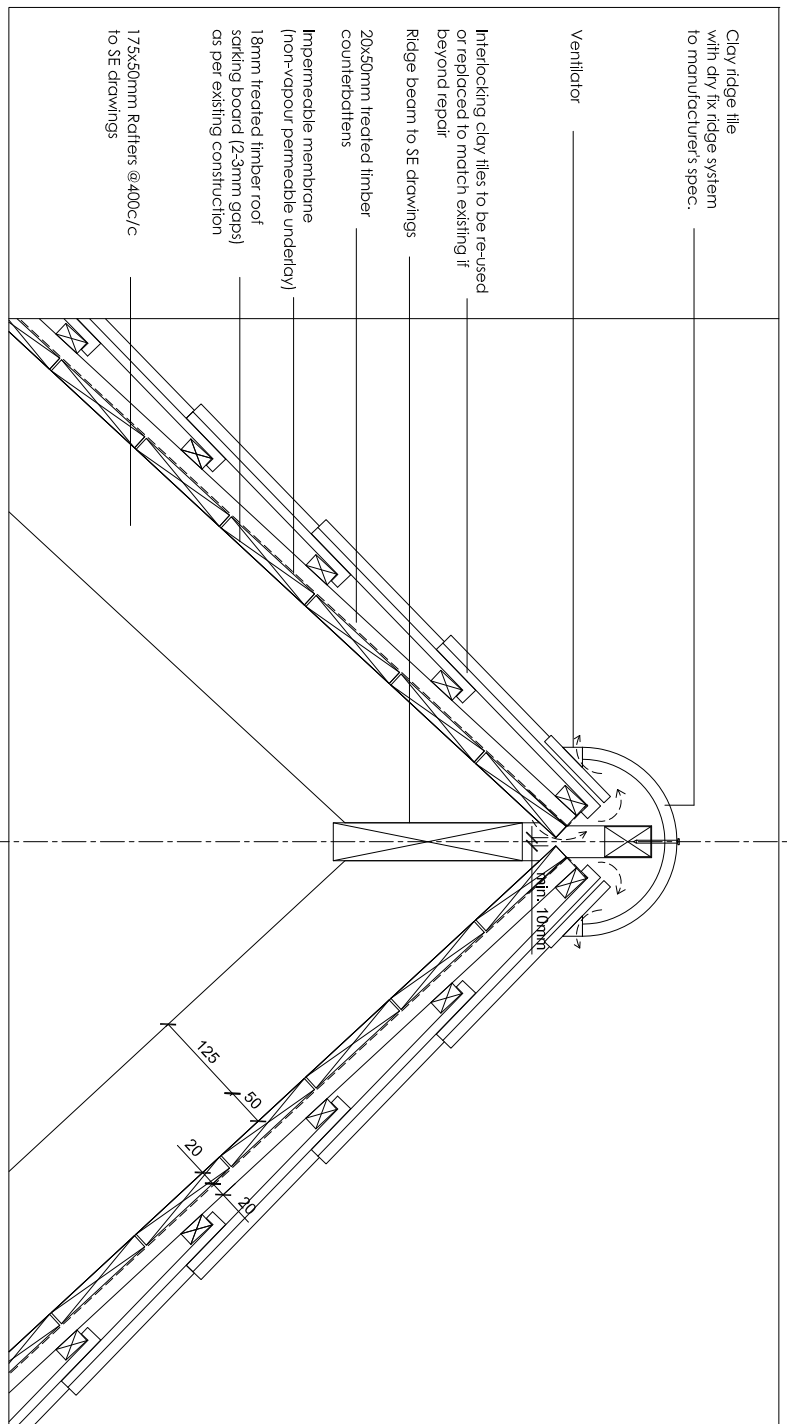
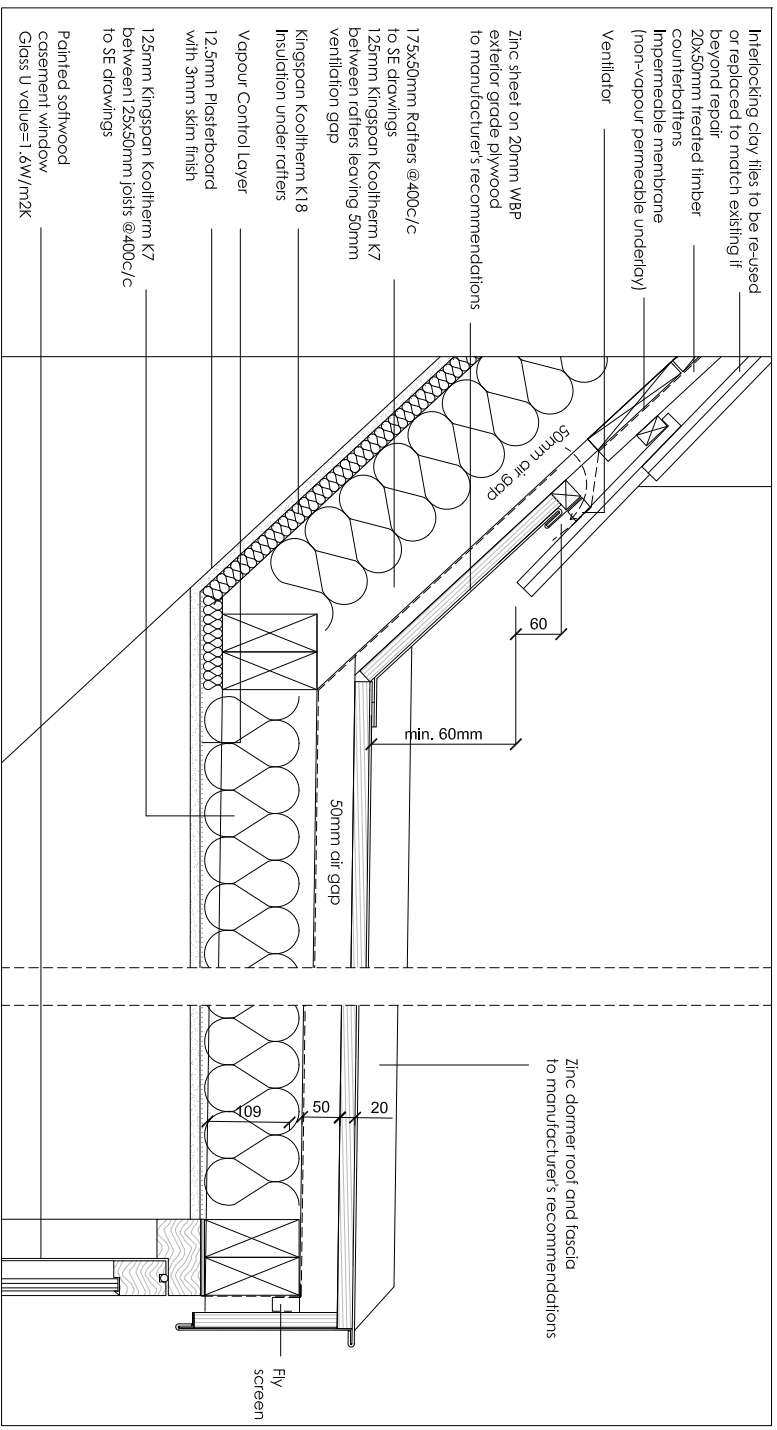


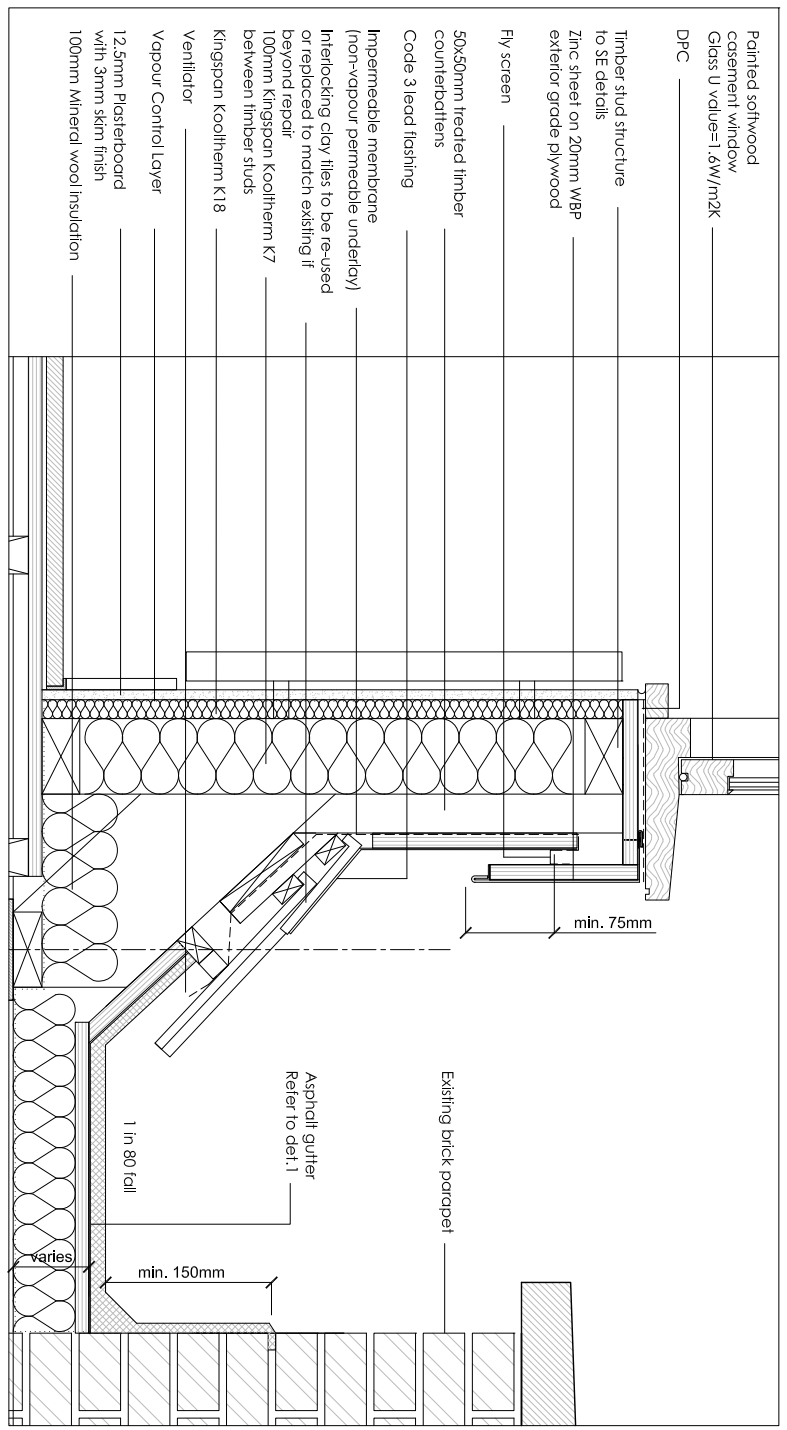
1 ROOF GUTTER DETAIL
WD201 SCALE 1:5@A1



2 ROOF GUTTER DETAIL
WD201 SCALE 1:5@A1



3 DORMER WINDOW ROOF DETAIL
WD201 SCALE 1:5@A1



4 DORMER WINDOW GUTTER DETAIL
WD201 SCALE 1:5@A1

Revision	Date	Reason	Initial
/	19.05.16	DETAIL DESIGN	GM
A	07.06.16	DETAIL DESIGN	GM

Notes

- FOLLOW MANUFACTURERS INSTRUCTIONS/RECOMMENDATIONS FOR ALL INSTALLATIONS
- REFER TO RELATIVE CONSULTANTS REPORTS FOR FURTHER DETAILS WHEN APPLICABLE
- TO BE READ IN CONJUNCTION WITH STRUCTURAL ENGINEER DRAWINGS
- TO BE READ IN CONJUNCTION WITH MECHANICAL ENGINEER DRAWINGS
- 1 HOUR FIRE RATING TO ALL STRUCTURAL ELEMENTS
- IF THE MATERIAL IS NOT PRESCRIBED CONTRACTOR TO PROVIDE PROPOSALS AND SAMPLES FOR APPROVAL PRIOR TO ORDER
- CONTRACTOR TO COMPLY WITH OR BUILDING CONTROL REQUIREMENTS
- LEAD WORK INSTALLED TO LEAD ASSOCIATION GUIDELINES

Dimensions based on topographical survey by EPC commercial surveys Ltd
All dimensions must be checked on site and not scaled from this drawing
© Mark Fairhurst Ltd.

mark fairhurst ARCHITECTS
48A Union Street, London, SE1 1TD, T: 020 7407 7070, E: info@mark-fairhurst.co.uk
Project: Cock Tavern, 23 Phoenix Road, London NW1 1HB
Client: Flamesstrike Ltd.
Drawing title: Proposed Roof Details to existing roof
Scale: 1:10@A3, 1:5@A1 Date: 07.06.16 Drawn by: GM
Project number: 1250 Drawing number: WD201
Status: DETAIL DESIGN Revision: A