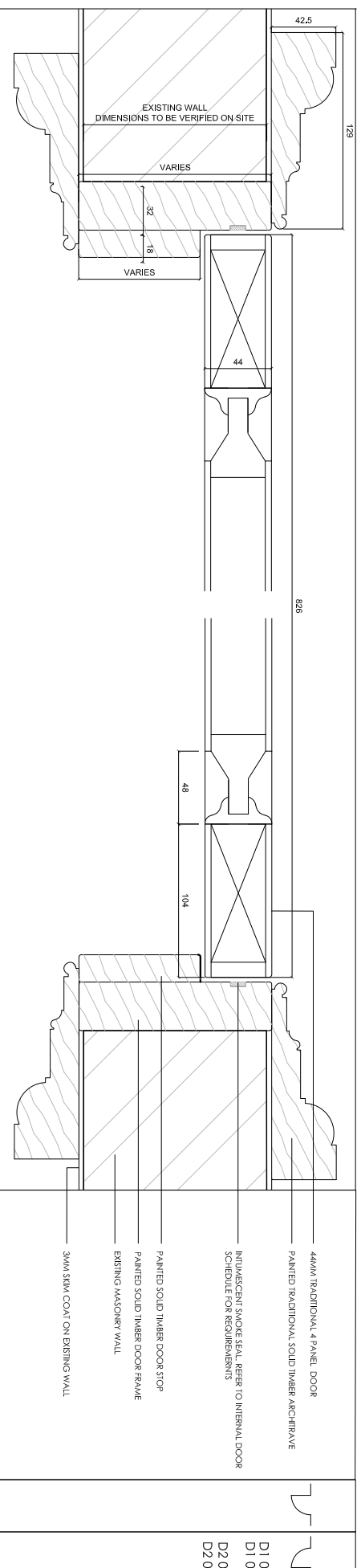
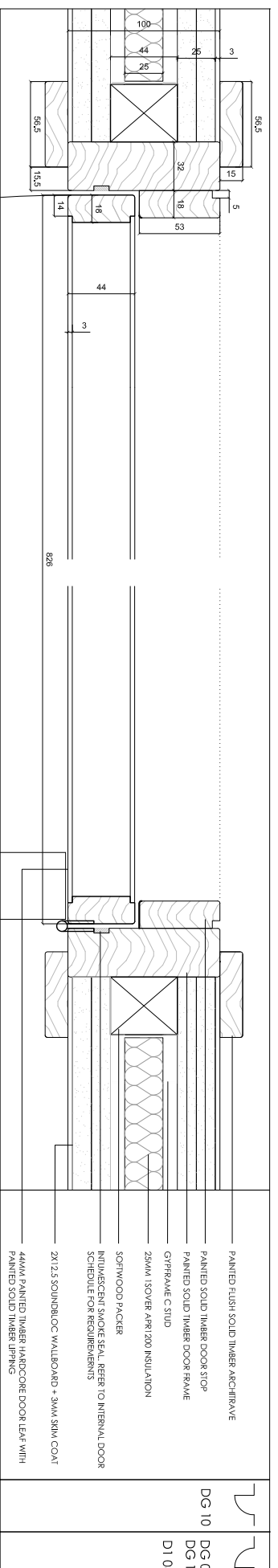


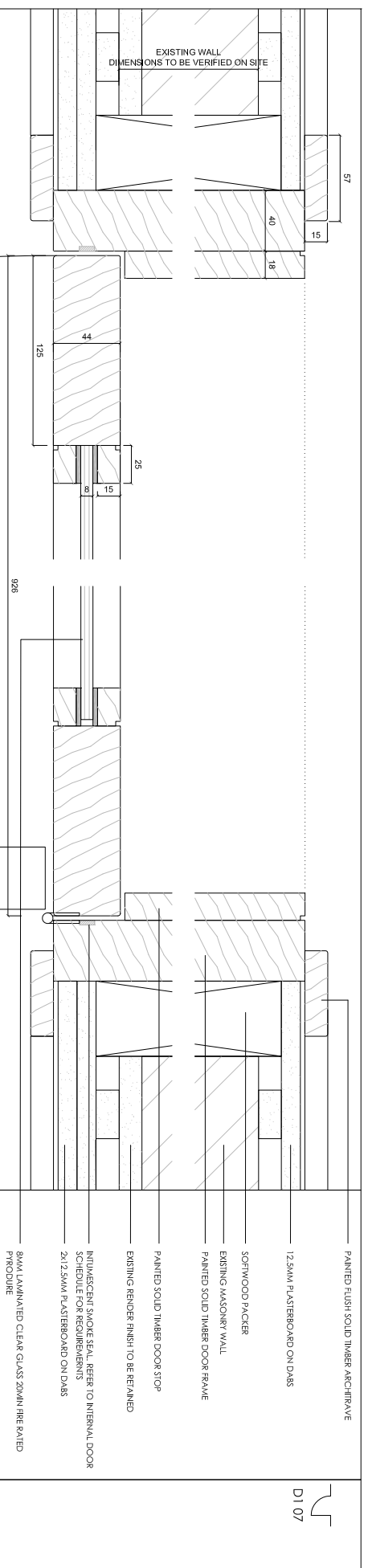
37) Traditional 4 Panel Internal Door FD30 - Typical Jamb Detail
SCALE 1:2@A1



37) Traditional 4 Panel Internal Door FD30 - Typical Jamb Detail within existing opening
SCALE 1:2@A1



3) Flush Internal Door FD20 - Typical Jamb Detail
SCALE 1:2@A1



37) Flush Internal Glazed Door FD20 - Typical Jamb Detail
SCALE 1:2@A1

Notes

- FOLLOW MANUFACTURERS INSTRUCTIONS/RECOMMENDATIONS FOR ALL INSTALLATIONS
- REFER TO RELATIVE CONSULTANT'S REPORTS FOR FURTHER DETAILS WHEN APPLICABLE
- TO BE READ IN CONJUNCTION WITH ACOUSTIC REPORT
- TO BE READ IN CONJUNCTION WITH STRUCTURAL ENGINEER DRAWINGS
- TO BE READ IN CONJUNCTION WITH MECHANICAL ENGINEER DRAWINGS
- 1 HOUR FIRE RATING TO ALL STRUCTURAL ELEMENTS.
- 1 HOUR FIRE RATING TO ALL INTERNAL PARTITIONS BETWEEN UNITS
- 30 MIN. FIRE RATING TO ALL INTERNAL PARTITIONS
- IF THE MATERIAL IS NOT PRESCRIBED, CONTRACTOR TO PROVIDE PROPOSALS AND SAMPLES FOR APPROVAL PRIOR TO ORDER
- CONTRACTOR TO COMPLY WITH OR BUILDING CONTROL REQUIREMENTS
- NEW PLASTERBOARD PARTITIONS TO BE BUILT AROUND EXISTING ARCHITRAVES, SKIRTINGS AND COVINGS

| Revision | Date | Reason | Initial |
|----------|----------|---------------|---------|
| / | 07.06.16 | DETAIL DESIGN | GM |

Dimensions based on topological survey by EPC commercial surveys Ltd
All dimensions must be checked on site and not scaled from this drawing
© Mark Fairhurst Ltd.

mark fairhurst ARCHITECTS

48A, Union Street, London, SE1 1TD, T: 020 7407 7070, E: info@mark-fairhurst.co.uk
Project: Cock Tavern, 23 Phoenix Road, London NW1 1HB
Client: Flamesstrike Ltd.

Drawing title: Internal Door Jamb Details
Scale: 1:2@A1 Date: 07.06.16 Drawn by: GM
Project number: 1250 Drawing number: WD371
Status: DETAIL DESIGN Revision: /