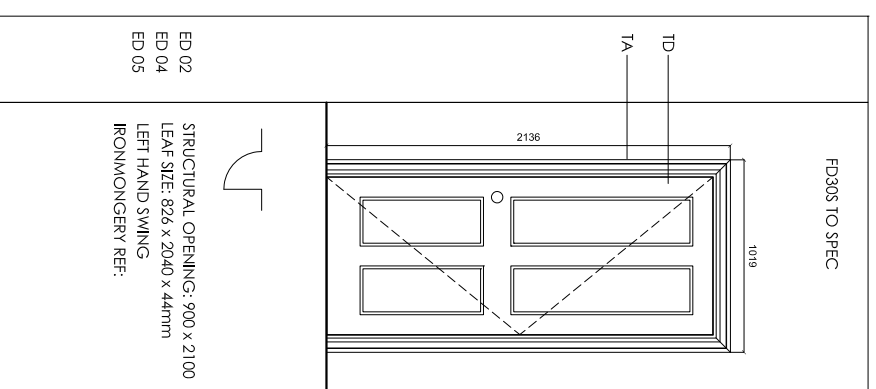
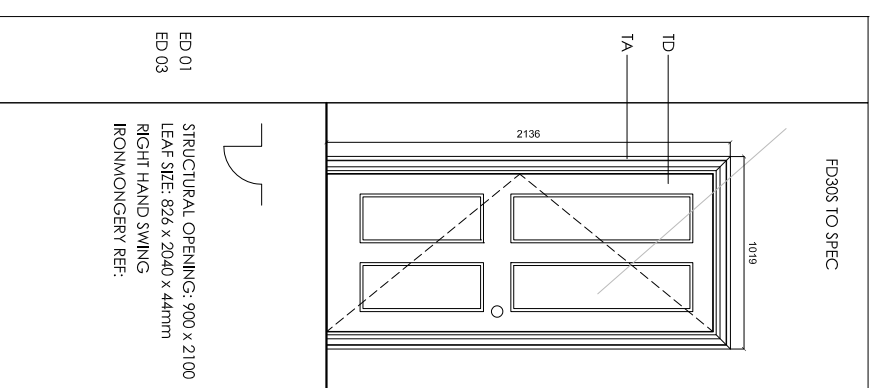
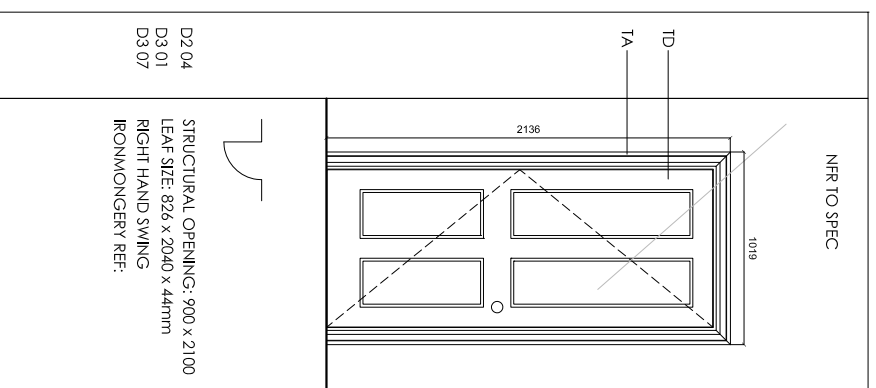
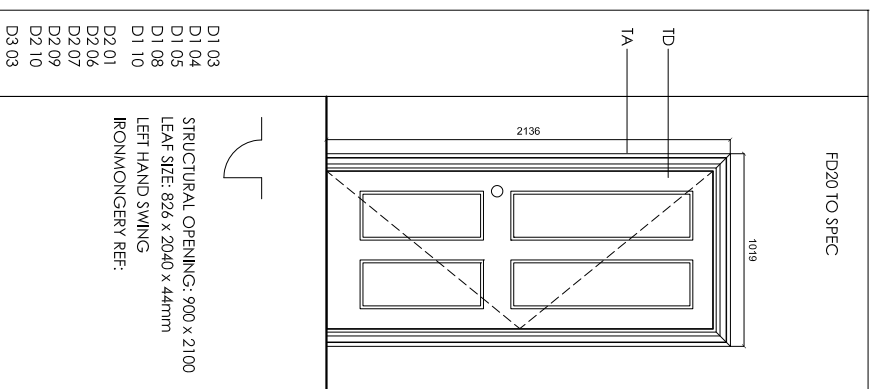
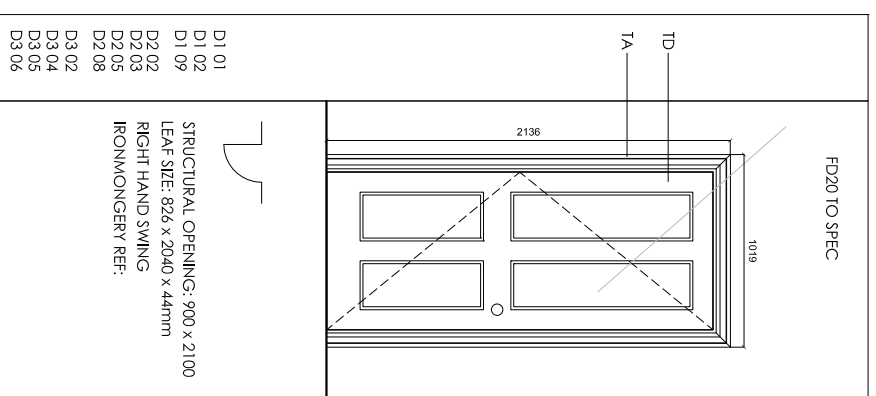


Notes

LEGEND:

- DX XX - DOOR REFERENCE
- TD - TRADITIONAL 4 PANELED PAINTED SOLID CORE DOOR
- TA - TRADITIONAL PAINTED SOFTWOOD ARCHITRAVE
- FD - FLUSH PAINTED SOLID CORE DOOR
- FA - FLUSH PAINTED HARDWOOD ARCHITRAVE
- CG - 8MM CLEAR FIRE RATED LAMINATED GLASS 'PRODUR'



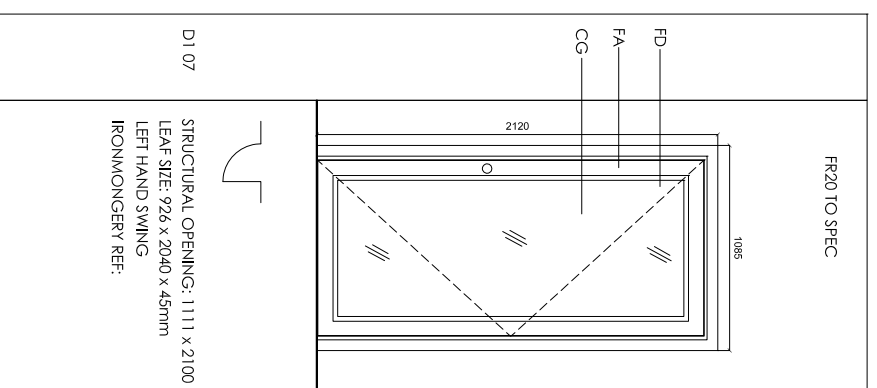
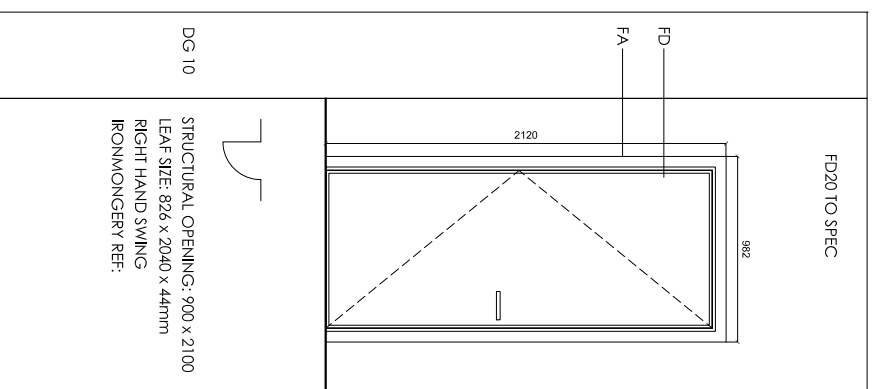
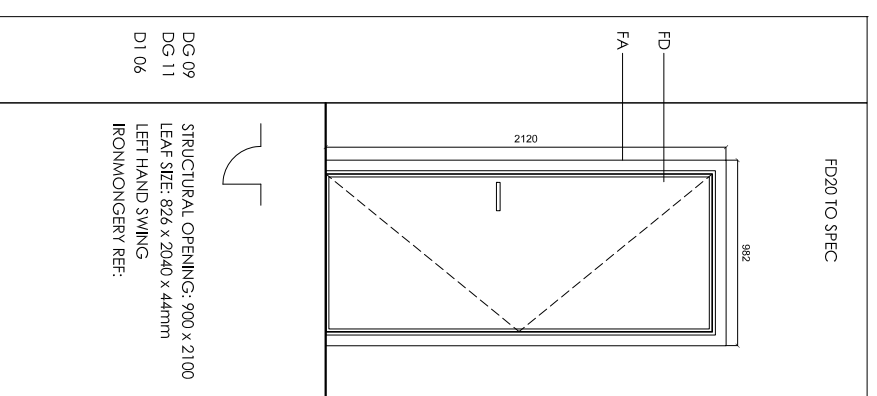
1 INTERNAL DOOR TO BEDROOMS,  
LIVING ROOM/KITCHEN AND BATHROOM

2 INTERNAL DOOR TO BEDROOMS,  
LIVING ROOM/KITCHEN AND BATHROOM

3 INTERNAL DOOR TO STORE ROOMS  
AND ENSUITE BATHROOMS

4 ENTRANCE DOOR TO APARTMENTS

5 ENTRANCE DOOR TO APARTMENTS



6 FLUSH INTERNAL DOOR TO BEDROOM,  
DISABLED WC AND MALE WC

7 FLUSH INTERNAL DOOR TO FEMALE WC

8 FLUSH DOUBLE DOOR TO LIVING ROOM

Revision	Date	Reason	Initial
/	07.06.16	DETAIL DESIGN	GM

Dimensions based on topological survey by EPC commercial surveys Ltd  
All dimensions must be checked on site and not scaled from this drawing  
© Mark Fairhurst Ltd.

**mark fairhurst ARCHITECTS**

48A Union Street, London, SE1 1TD, T: 020 7407 7070, E: info@mark-fairhurst.co.uk  
Project: Cock Tavern, 23 Phoenix Road, London NW1 1HB  
Client: Flamestrike Ltd.

Drawing title: Internal Door Layouts  
Scale: 1:20@A1 Date: 07.06.16 Drawn by: GM  
Project number: 1250 Drawing number: WD370  
Status: DETAIL DESIGN Revision: /