

3 N° secure cycle spaces provided using 'Sheffield' style security bars imbedded in the existing conc. floor finish

Figure 3. Sheffield Stand Elevation

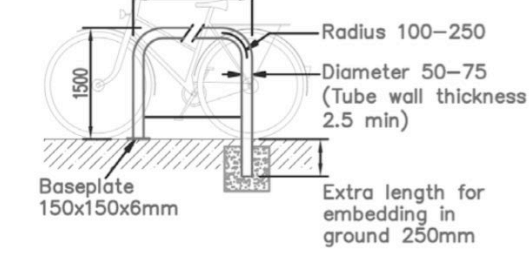
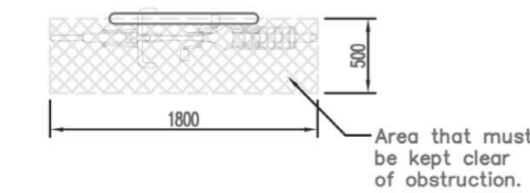
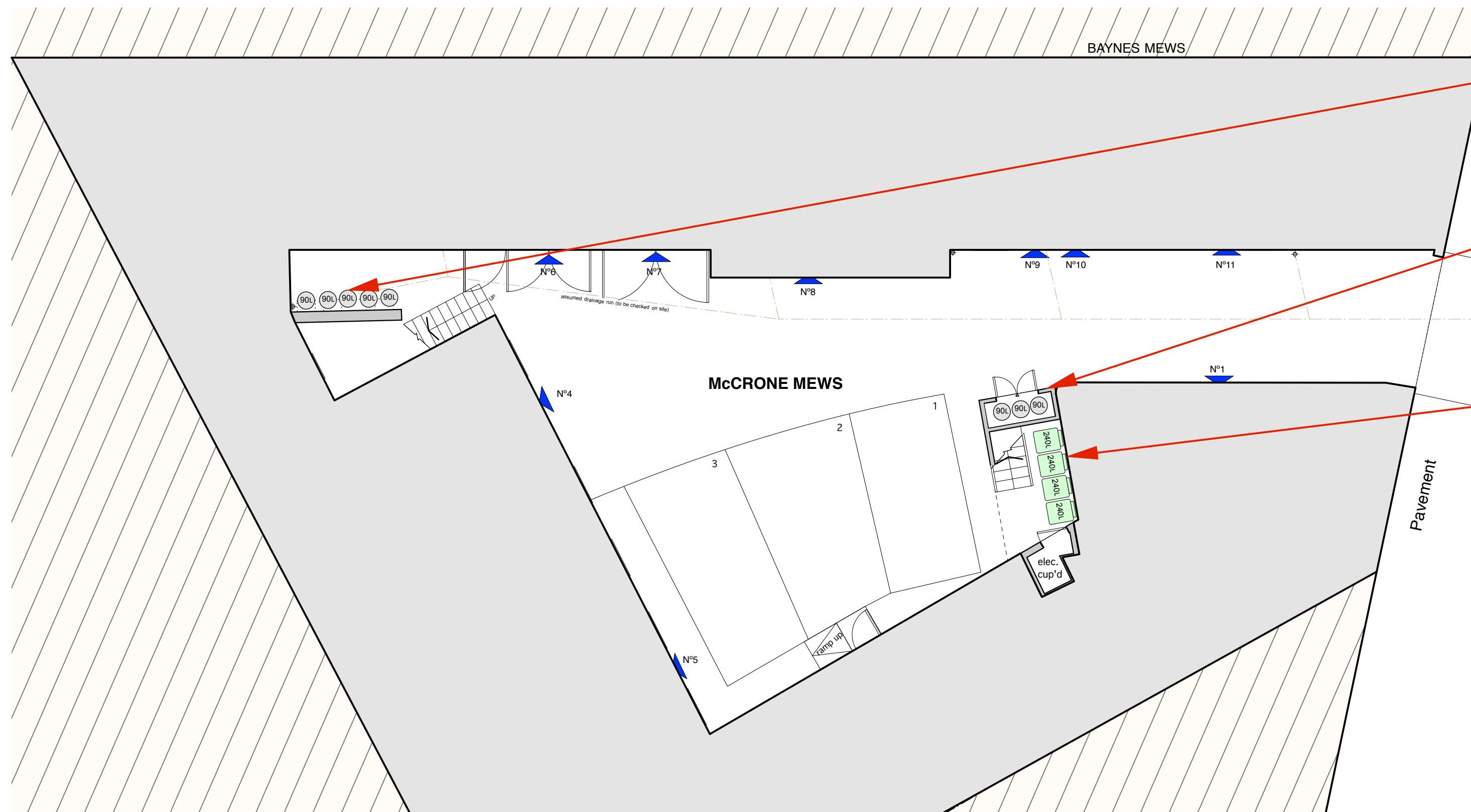


Figure 4. Sheffield Stand Plan



- 9.25 For adjacent stands, an area of at least 1800mm by 500mm next to the stand (measured from the centre line of the tube), must be kept clear for each cycle parking space to allow room for the cycle and working space for locking the bike to the stand. However, if a stand is next to a physical obstruction, such as a wall or a vehicular path, there must be at least 750mm between the stand and the physical obstruction to enable both sides of the stand to be used. If a stand is to be placed close to a wall or other physical obstruction so that only one side of it can be used (i.e. only one cycle can be locked to it), there must be at least 300mm between the stand and the physical obstruction.
- 9.26 Aisles around the cycle store must be at least 1800mm in width. An example cycle store showing various layout options is shown below. Note that the area to be kept clear does not actually have to be marked on the ground, but is shown in outline for clarity.



EXISTING PLAN
SHOWING Existing Recycling/ Refuse and bicycle parking provision
Scale 1:100 @ A1



BIN CAPACITY CHECK - EXISTING (10 flats)			
Size of Household	Number in Development	Projected Weekly Waste/ Household	Projected Weekly Waste/ Household
Studio/ 1Bed	A = 8	100 litres	8x100= 800 litres
2 Bedroom	B = 2	170 litres	2x170= 340 litres
3 Bedroom	C = 0	240 litres	0x240= 0 litres
Total Weekly Waste Arising			1140 litres
Should be min 570 litre Refuse and 570 litre Recycling			

EXISTING PROVISION: (10 flats)	
8 X 90 litre black refuse bins =	720 litres
4 X 240 litre Green Recycling Wheelie bins =	960 litres

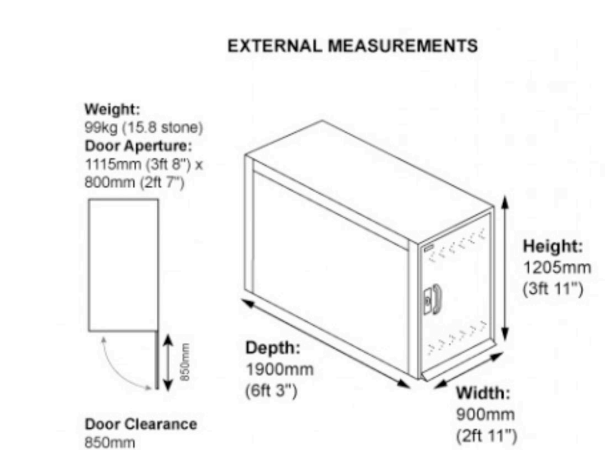
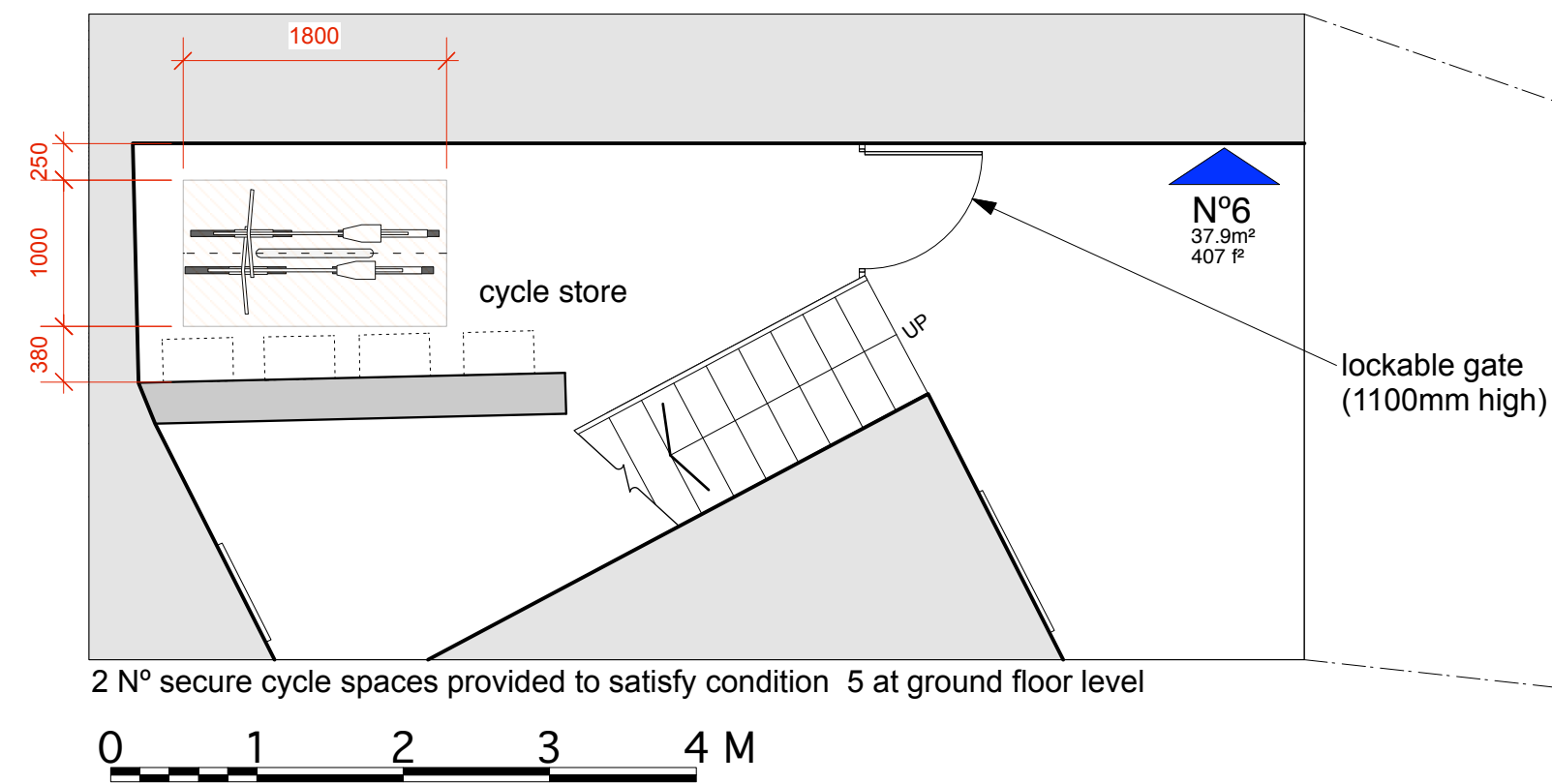
REFUSE/ RECYCLING KEY

- existing 90 litre refuse bins (to be removed)
- existing 240 litre recycling bins (to remain)
- proposed 240 litre refuse bins (proposed)



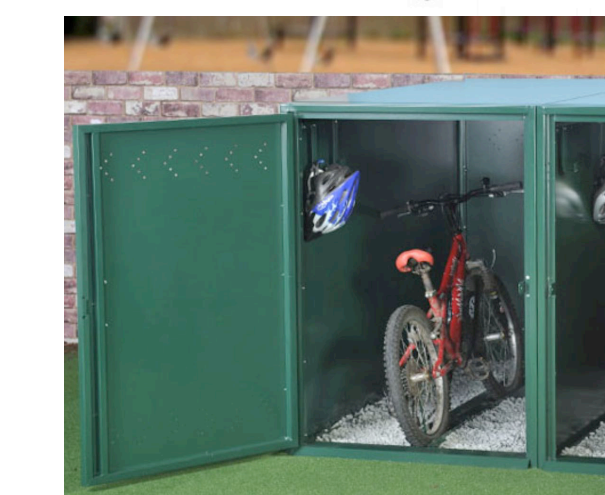
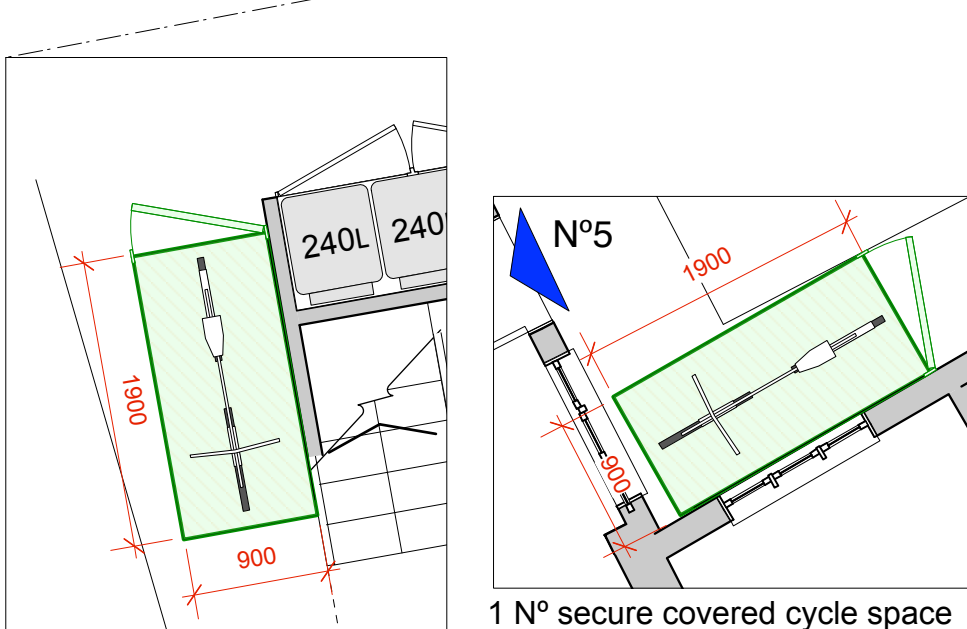
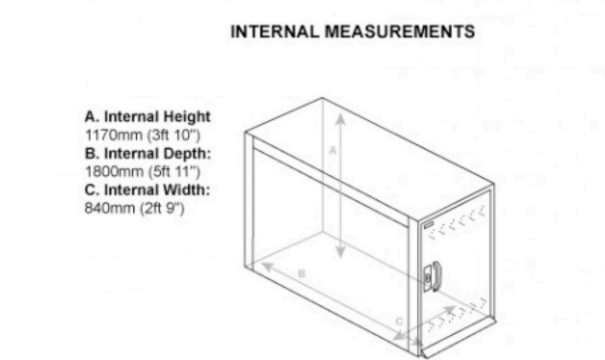
BIN CAPACITY CHECK - Proposed (13 flats)			
Size of Household	Number in Development	Projected Weekly Waste/ Household	Projected Weekly Waste/ Household
Studio/ 1Bed	A = 8	100 litres	8x100= 800 litres
2 Bedroom	B = 5	170 litres	5x170= 850 litres
3 Bedroom	C = 0	240 litres	0x240= 0 litres
Total Weekly Waste Arising			1650 litres
Should be min 825 litre Refuse and 825 litre Recycling			

Proposed Provision: (13 flats)	
4 X 240 litre black Refuse Wheelie bins =	960 litres
4 X 240 litre Green Recycling Wheelie bins =	960 litres

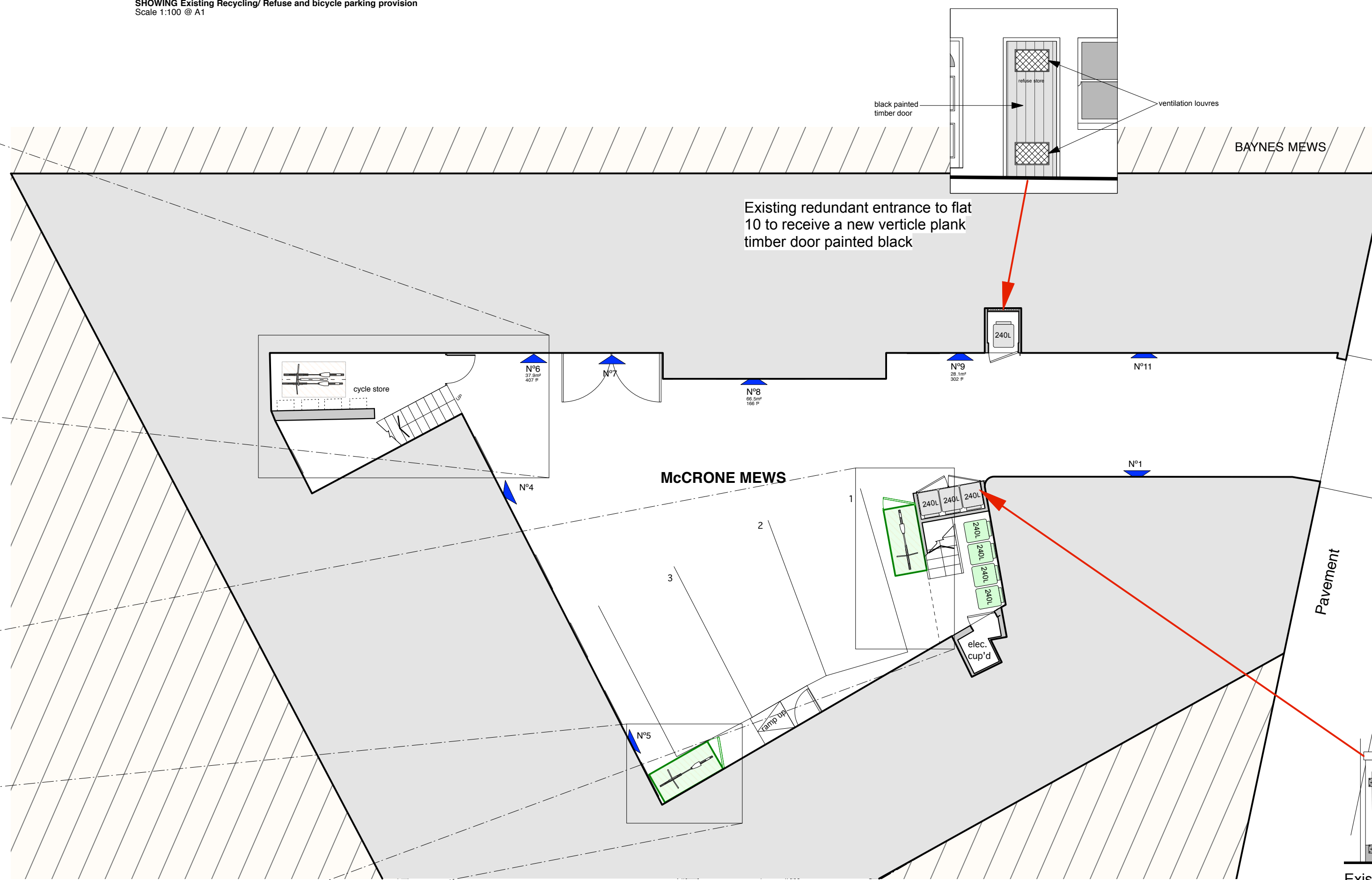


The Single Bike Locker is the perfect way to store your bike securely if you are short on space. The single bike locker is accessed from the end so that unit width is kept to a minimum.

Made from strong, thick, galvanised steel, a guide rail inside the locker holds the bike upright and acts as a second locking point for increased security. There is also a set of hooks included for storage of helmets and accessories.



SINGLE BICYCLE LOCKER
cyclehoop.com



PROPOSED PLAN
SHOWING Existing Recycling/ Refuse and bicycle parking provision
Scale 1:100 @ A1

Existing bin store opening increased to accommodate 3N° 240 litre wheelie bins

REV.	DATE	NOTES
D	10/06/2016	cycle spaces adjusted following LA guidance
C	19/05/2016	Detail of 4th covered cycle store shown
B	20/04/2016	4N° lockable covered cycle spaces provided
A	18/04/2016	cycle space provision detailed

CLIENT	SCALE 1:50 @ A1 1:100 @ A3	PROJECT	DRAWING NO.	REV.
STATUS	DATE	DRAWN	DRAWING TITLE	REV.
	April 2016			
discharge of conditions		CHECKED	FBD FULCRUM BUILDING DESIGN LTD. 9 Heneage Street, Spitalfields, London, E1 5LJ Tel: 079 7408 6475 Fax: 020 759 08 448 e-mail: info@fbd-ltd.com www.fbd-ltd.com	

CLIENT	SCALE 1:50 @ A1 1:100 @ A3	PROJECT	DRAWING NO.	REV.
STATUS	DATE	DRAWN	DRAWING TITLE	REV.
	April 2016			
discharge of conditions		CHECKED	FBD FULCRUM BUILDING DESIGN LTD. 9 Heneage Street, Spitalfields, London, E1 5LJ Tel: 079 7408 6475 Fax: 020 759 08 448 e-mail: info@fbd-ltd.com www.fbd-ltd.com	

