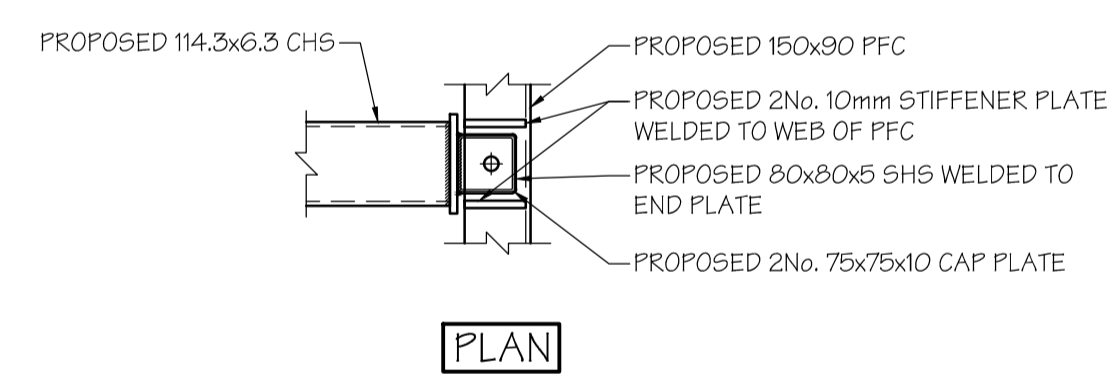
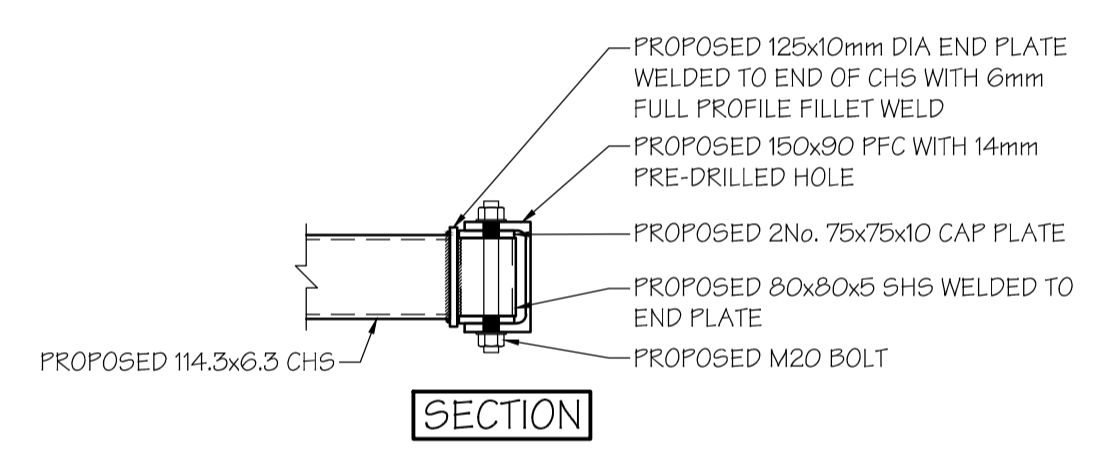
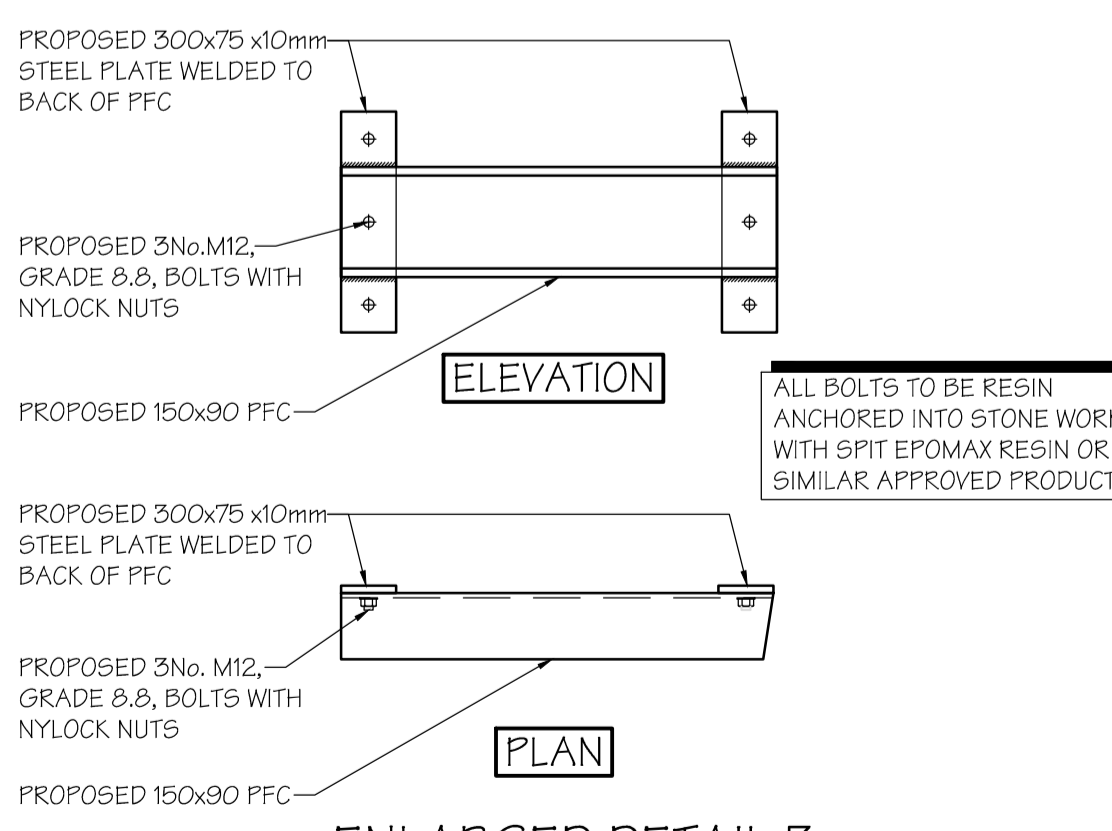


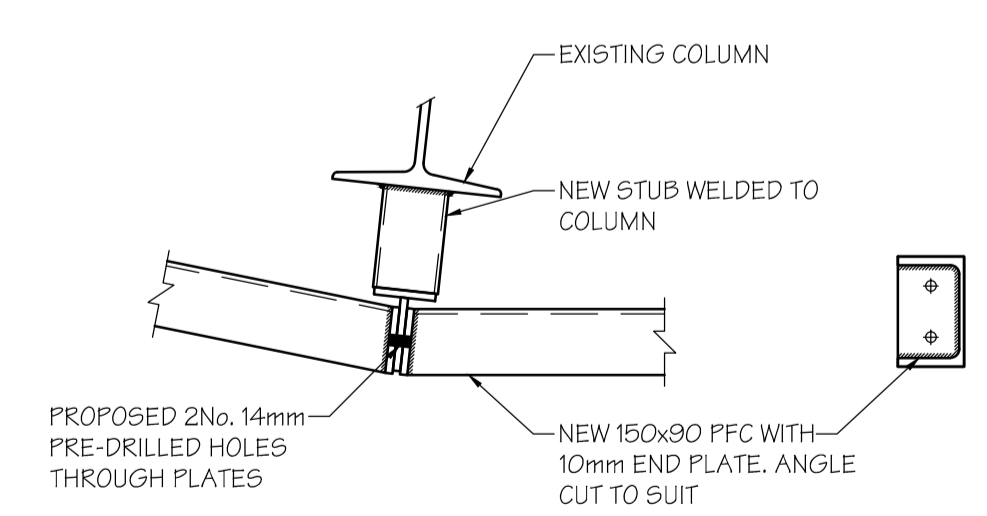
PROPOSED PLAN ON TIES TO COLUMNS
(SCALE 1:20 AT A1)



ENLARGED DETAIL 1A
(SCALE 1:10 AT A1)



ENLARGED DETAIL 3
(SCALE 1:10 AT A1)



ENLARGED DETAIL 2 SHOWING PFC CONNECTION
(SCALE 1:10 AT A1)

ALL BOLTS TO BE RESIN ANCHORED INTO STONE WORK WITH SPIT EPOMAX RESIN OR SIMILAR APPROVED PRODUCT.

DO NOT SCALE THIS DRAWING.

ORIGINAL DRAWING SIZE A1

Notes

FOR DISCUSSION
PURPOSES ONLY

Rev.	Date	Description	By
E	11-08-15	SIGN CONNECTION DETAILS	MJ
D	01-09-14	SIGN RESIZED AND STEELWORK ALTERED TO SUIT	MF
C	22-08-14	FINALISED DESIGN AND DETAILS	D5
B	21-08-14	SECONDARY STEEL AMENDED TO VERTICAL RAILS, DETAILS INCLUDED AND DWG SIZE INCREASED	D5
A	AUG 14	SECONDARY FIXING STEEL INCLUDED	D5

Revisions

204 BOLTON ROAD
WORSLEY
MANCHESTER, M28 3BN
Tel: 0161 790 4404
Fax: 0161 790 4405

Client
NEDERLANDER

Site
THE DOMINION
THEATRE, LONDON

Project
EXTERNAL FRONT
ELEVATION WORKS

Drawing Title
**PROPOSED LED STEEL
FRAME WORK**

Scale	Date	Drawn	Checked	Passed
AS SHOWN	APR 14	D5		

DRG. No.
2243-03-006 E