

DESCRIPTION

Multi-band base station antennas conceived for ISM 868 MHz, GSM 900 & 1800, DCS 1.9, DECT and UMTS systems working on 868-960 MHz and 1710-2170 MHz. The radiant dipole is made of Microstrip PCB and protected by a fiberglass tube. SO-918-2 has a N-female connector fitted directly on the bottom while SO-918-2 M1 is supplied with 5m RG 58 cable directly connected and SMA-male (other type on request).

SPECIFICATIONS

Electrical Data	SO-918-2	SO-918-2 M1
Type	1/2 λ Dipole	
Frequency Range @ SWR ≤ 2.0	868 - 960 MHz (ISM, GSM 900) & 1.71 - 2.17 GHz (GSM 1.8, PCN, DECT, UMTS)	
Impedance	50 Ω	
Radiation (H-plane)	360° omnidirectional	
Radiation (E-plane) Beamwidth @ -3 dB	50°	
Radiation angle deg.	0°	
Polarization	Linear Vertical	
Gain	2.15 dBi	
Max Power (CW) @ 30° C	20 Watts	
Grounding Protection	All metal parts are DC-grounded, the inner conductor shows an open circuit	
Cable type / Length	/	RG 58 C/U / 5m
Connector	N-female, gold plated central pin	SMA-male, other type on request
Mechanical Data		
Housing & Radome Material	Fiberglass, Chromed Brass, PCB	
Bracket & Hardware Material	Aluminium, Stainless steel	Stainless steel M1 bracket
Wind Load / Resistance	11 N @ 150 Km/h / 200 Km/h	
Wind Surface	0.01 m ²	
Height (approx.)	325 mm	
Weight (approx.)	350 gr	
Operating Temperature	-20 °C to +80 °C	
Installation type	Mast: Ø 35-54 mm with V-bolt Wall: with mounting screws (not included)	

MOUNTING INSTRUCTIONS

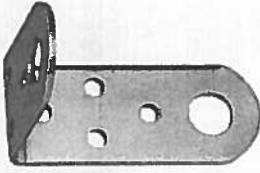
SO-918-2 fixing bracket:



Fixing bracket part list

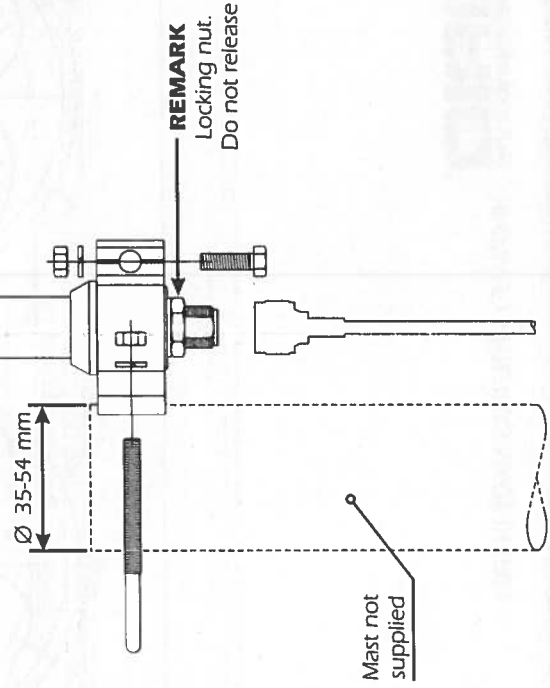
Q.ty	Description
1	Extruded aluminium bracket
1	M6x188 V-bolt
1	M6x20 Exagonal head screw
3	M6 Spring lock washer
3	M6 Hexagonal nut
Materials: extruded aluminium	
Hardware: stainless steel	
Dimensions: 80 x 76 x 25 mm	
Weight: 110 g	
Re-order code: SA161	

SO-918-2 M1 fixing bracket:

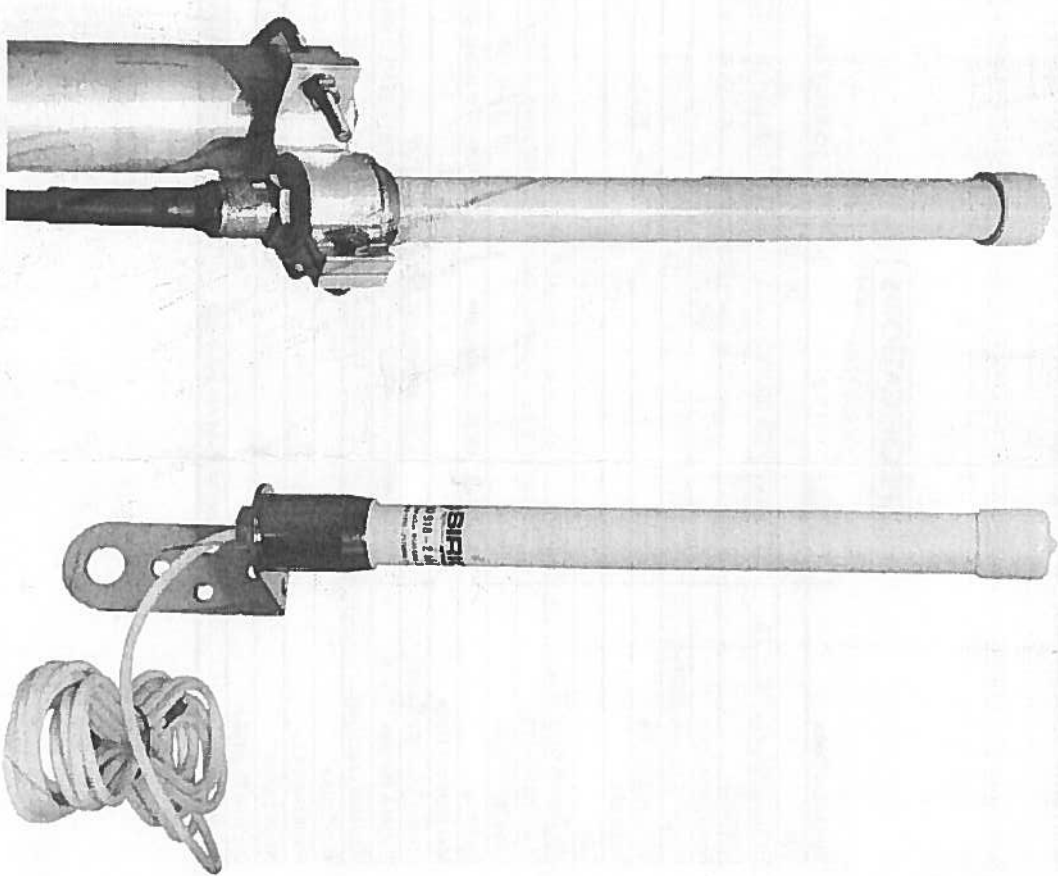
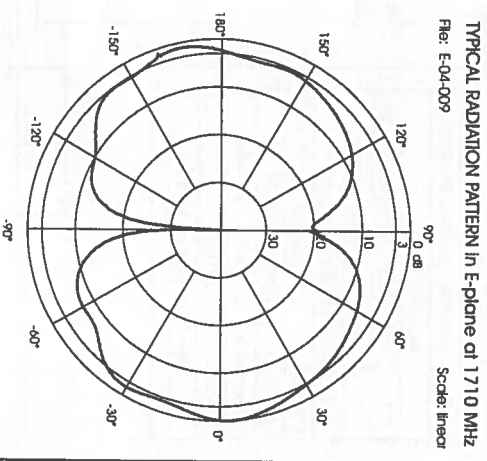
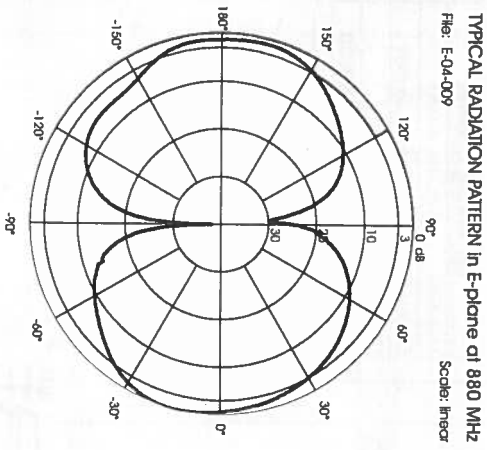
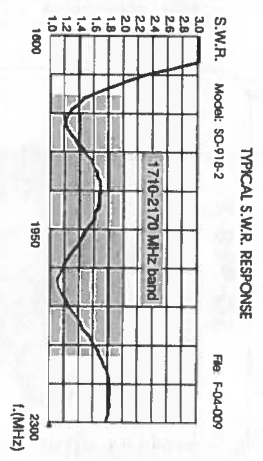
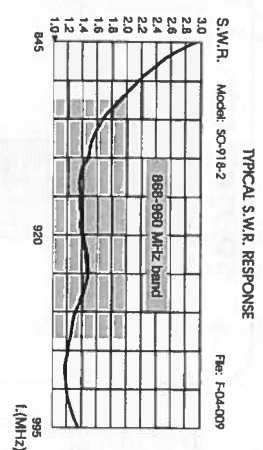


M1 Fixing bracket

Materials:	Stainless steel
Dimensions:	38 x 64 x 98 mm
Weight:	120 g
Re-order code: 2503503.00	



OMNI MULTI-BAND
SO-918-2 **SO-918-2 M1**
 Base Station Antennas 868-960 & 1710-2170 MHz



SO-918-2

SO-918-2 M1