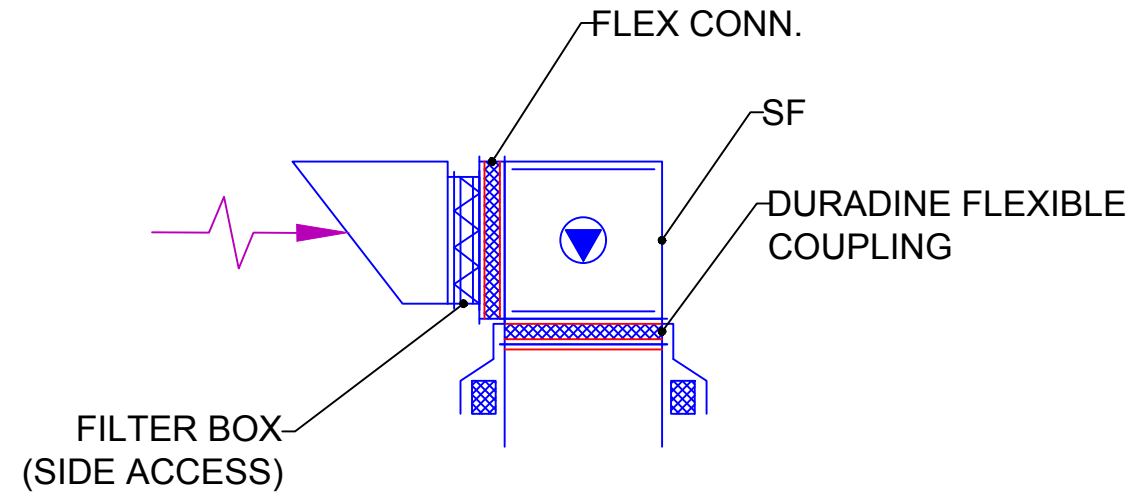
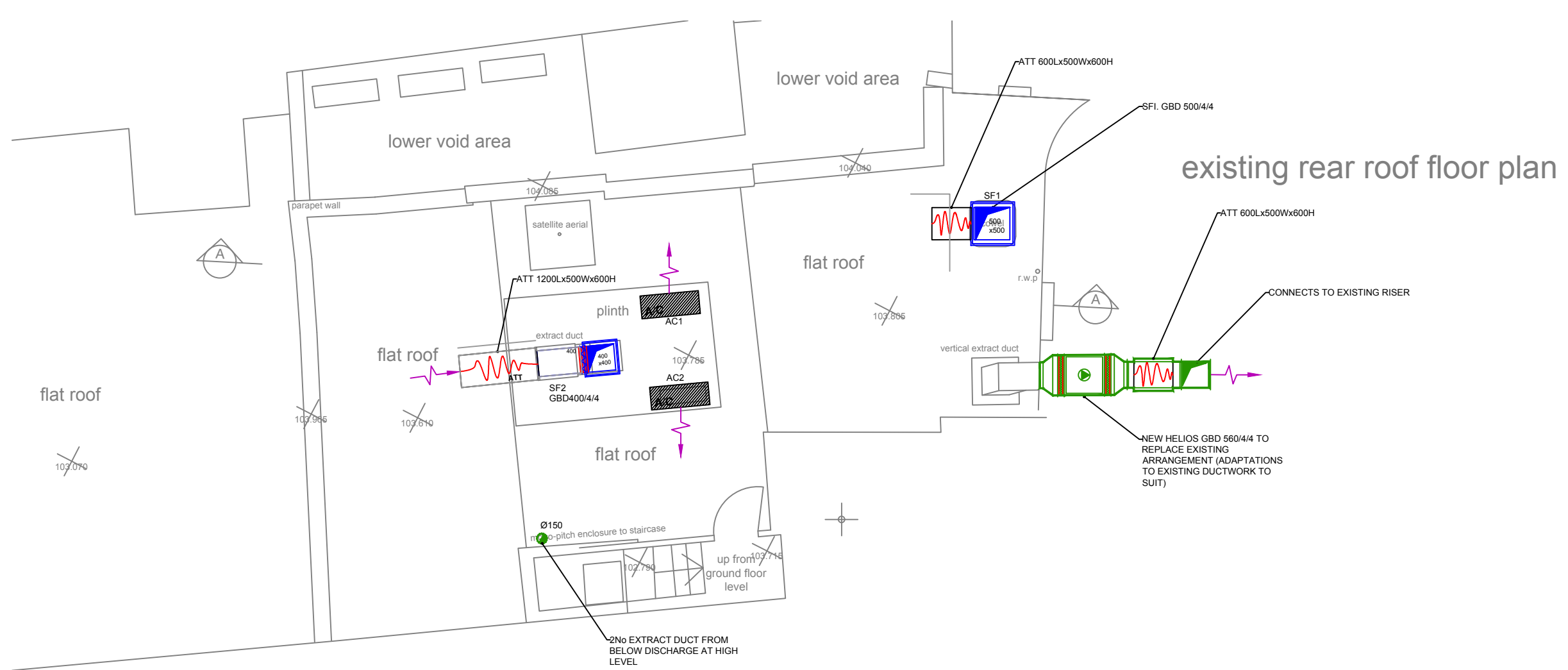


DRAWING TO BS8888:2011
 Dimensions to be verified on site.
 Dimensions to be taken in preference to those scaled

NOTES



TYPICAL SF DETAIL/ELEVATION 1:20



Revision D	
Revision C	INITIAL DESIGN FOR APPROVAL MH 20.05.16
Revision B	INITIAL DESIGN FOR APPROVAL MH 09.05.16
Revision A	INITIAL DESIGN FOR APPROVAL MH 12.04.16

Client
HONEST BURGERS

Project
TOTENHAM COURT ROAD LONDON

Title
ROOF DUCT AND VENT LAYOUT

Date
09.05.16

Scale
1:50 @ A3

Drawn By
MH

Checked By
SL

Drawing No.
E6055-R-DW

Revision
C

SUMMIT DESIGN LTD.
 Suite 1 & 2 Soho Studios
 Town Lane
 Woodburn Green
 Buckinghamshire
 HP10 0PF
 (Registered Office)

Tel: 01628 536880 (07004 AIRCON)
 Fax: 01628 536881
 info@summitdesign.co.uk
 www.summitdesign.co.uk



This drawing is the property of Summit Design Limited. Copyright is reserved by them and the drawing is issued on the condition that it is not copied, reproduced, retained or disclosed to any unauthorised person either wholly or in part without the consent in writing of Summit Design Limited.
 Registered in England and Wales No. 2792233