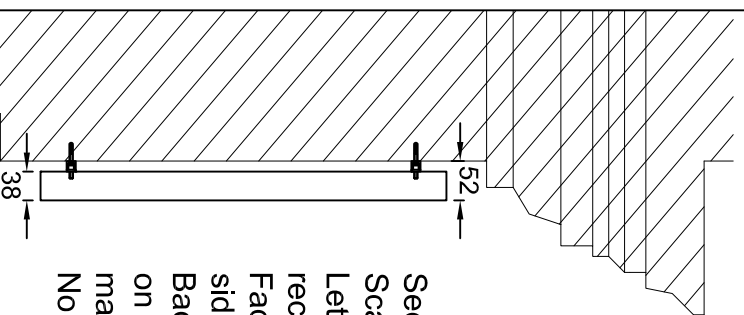


Belsize Rd Elevation
Scale 1:50

Section A-A through the text
Scale 1:10
Letters are fret cut out of 38mm reclaimed pine.
Faces are given a lacquer and the sides are painted black.
Backs are fixed to the stone fascia on locators which are painted to match the stone.
No illumination.



- C Projecting sign smaller 13/06/16
- B Rectangular projecting sign 09/06/16
- A Projecting sign smaller 09/06/16



Technical Signs
Hille Business Centre
132 St Albans Road
Watford, Herts, WD24 4AE
Tel: 01923 811999
Fax: 01923 811998
E-mail: info@technicalsigns.co.uk

Client: Franco Manca	
Address/Job details 42 Kilburn High Rd Kilburn NW6 4HJ	
Proposed Signs	
Job No	13/05/16
Drawn by	DN
Date	13/05/16
Scale	As specified (A3)
Drawing No	544997-3
Rev	C