

**COLT**

**Seefire**  
Natural Louvered Ventilator

Seefire is a natural louvered ventilator that is available in a wide range of sizes, louver options and control options. Seefire has been exhaustively tested and certified to EN 12101-2:2003 in accredited third party test laboratories and is CE marked. It is well suited to most industrial and commercial buildings and can provide both day to day and smoke ventilation as well as permit the entry of natural daylight. It is fixed with glass or polycarbonate blades.

Seefire can be installed at any angle, and can provide either low level inlet or high level extract. Seefire is also often used as a termination piece for ducting systems, extract fans or air handling systems. Seefire has a wide range of available options, and is low in maintenance. If a louvered ventilator is required with a higher specification with regards to thermal insulation and air tightness, the Colt Airflow ventilator will provide this. There are many other ventilators in the Colt range to suit your application.

Seefire is available up to 2326mm throat width x 3498mm throat length. Louvers are either of aluminum, polycarbonate or glass. Optional accessories include bird, insect and burglar guards.

Please visit our web page to view all the available options and for a specification.

**INSTALLATION**  
Seefire can be installed at any angle. Bases are of durable aluminum and are customised to suit the installation into either curtain walling, glazing or prepared openings.

Please visit our web page for typical installation details.

**VENTILATOR OPTIONS**  
Seefire is classed as a dual purpose ventilator, providing both day to day and smoke control ventilation. Either pneumatic, electric or hand controls operate the ventilator.

**OPERATION AND CONTROLS**  
Seefire has been rigorously tested in third party laboratories. See page 4 for further details.

**TESTING**  
Seefire has been rigorously tested in third party laboratories. See page 4 for further details.

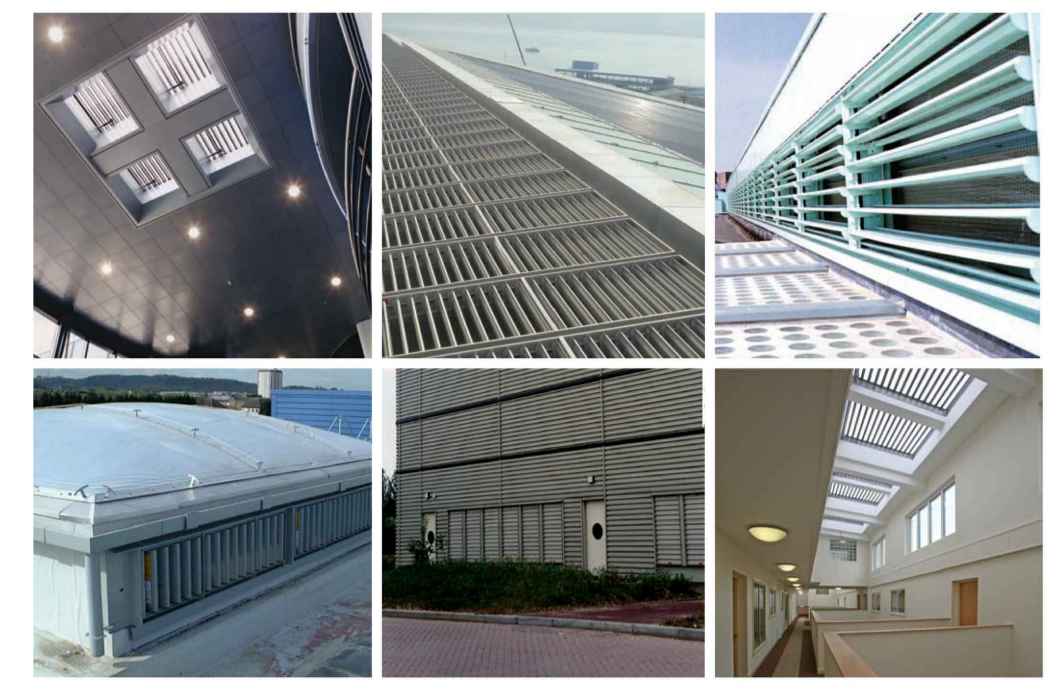
**DIMENSIONS\***

WIDTH CODE	Throat width dimension A (mm)		Body width dimension C (mm)	
	06	07	09	10
06	426	524	726	824
07	576	674	876	974
09	726	824	1026	1124
10	876	974	1176	1274
12	1026	1124	1326	1424
13	1176	1274	1476	1574
15	1326	1424	1626	1724
16	1476	1574	1776	1874
18	1626	1724	1926	2024
21	1926	2024	2226	2324
22	2000	2098	2326	2424
23	2126	2224		
25	2326	2424		

LENGTH CODE	Throat length dimension B (mm)		Body length dimension D (mm)	
	10	11	13	14
10	705	728	971	994
11	838	861	1104	1127
13	971	994	1237	1260
14	1104	1127	1370	1393
15	1237	1260	1503	1526
17	1370	1393	1636	1659
18	1503	1526	1769	1792
19	1636	1659	1902	1925
22	2000	2098	2266	2364
25	2168	2191	2434	2457
26	2301	2324	2567	2590
27	2434	2457	2700	2723
29	2567	2590	2833	2856
30	2700	2723	2966	2989
31	2833	2856	3099	3122
32	2966	2989	3232	3255
34	3099	3122	3365	3388
35	3232	3255	3498	3521
36	3365	3388		
38	3498	3521		

\* There are some restrictions on the maximum size of the ventilator if glass louvers are used. Colt can advise on this.

\*\* Flange widths and lengths are variable and need to be clarified in each instance. For the minimum dimensions of these, add 140mm to the throat width and 140mm to the throat length.



**DIMENSIONS\***

WIDTH CODE	Throat width dimension A (mm)		Body width dimension C (mm)	
	06	07	09	10
06	426	524	726	824
07	576	674	876	974
09	726	824	1026	1124
10	876	974	1176	1274
12	1026	1124	1326	1424
13	1176	1274	1476	1574
15	1326	1424	1626	1724
16	1476	1574	1776	1874
18	1626	1724	1926	2024
21	1926	2024	2226	2324
22	2000	2098	2326	2424
23	2126	2224		
25	2326	2424		

LENGTH CODE	Throat length dimension B (mm)		Body length dimension D (mm)	
	10	11	13	14
10	705	728	971	994
11	838	861	1104	1127
13	971	994	1237	1260
14	1104	1127	1370	1393
15	1237	1260	1503	1526
17	1370	1393	1636	1659
18	1503	1526	1769	1792
19	1636	1659	1902	1925
22	2000	2098	2266	2364
25	2168	2191	2434	2457
26	2301	2324	2567	2590
27	2434	2457	2700	2723
29	2567	2590	2833	2856
30	2700	2723	2966	2989
31	2833	2856	3099	3122
32	2966	2989	3232	3255
34	3099	3122	3365	3388
35	3232	3255	3498	3521
36	3365	3388		
38	3498	3521		

\* There are some restrictions on the maximum size of the ventilator if glass louvers are used. Colt can advise on this.

\*\* Flange widths and lengths are variable and need to be clarified in each instance. For the minimum dimensions of these, add 140mm to the throat width and 140mm to the throat length.

This drawing is copyright and owned by Studionesh Architects limited, and is for use on this site only unless contractually stated otherwise.

All other design team elements, where indicated, have been imported from the consultant's drawings and reference should be made to the individual consultant's drawings for exact setting out, size and type of component.

Discrepancies and/or ambiguities within this drawing, between it and information given elsewhere, must be reported immediately to the architect for clarification before proceeding.

All works carried out in accordance with the latest British Standards and Codes of Practice unless specifically directed otherwise in the specification.

Responsibility for the reproduction of this drawing in paper form, or if issued in electronic format, lies with the recipient to check that all information has been replicated in full and is correct when compared to the original paper or electronic image. Graphical representations of equipment on this drawing have been co-ordinated, but are approximations only. Please refer to the Specifications and/or Details for actual sizes and/or specific contractor construction information.

Refer to the relevant Construction (Design and Management) documentation where applicable.

It is assumed that all works on this drawings will be carried out by a competent contractor, working where appropriate to an approved method statement. PLANNING APPLICATION

**NOTES:**

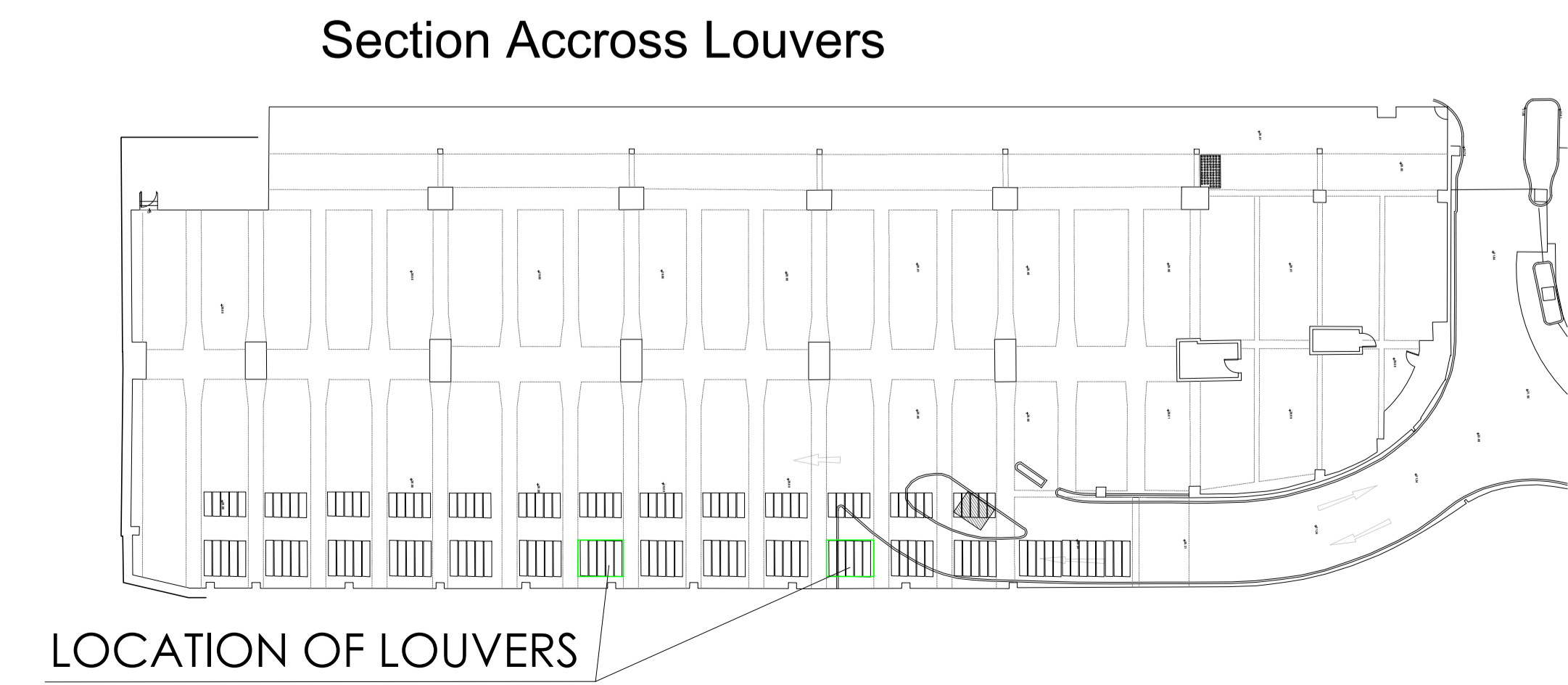
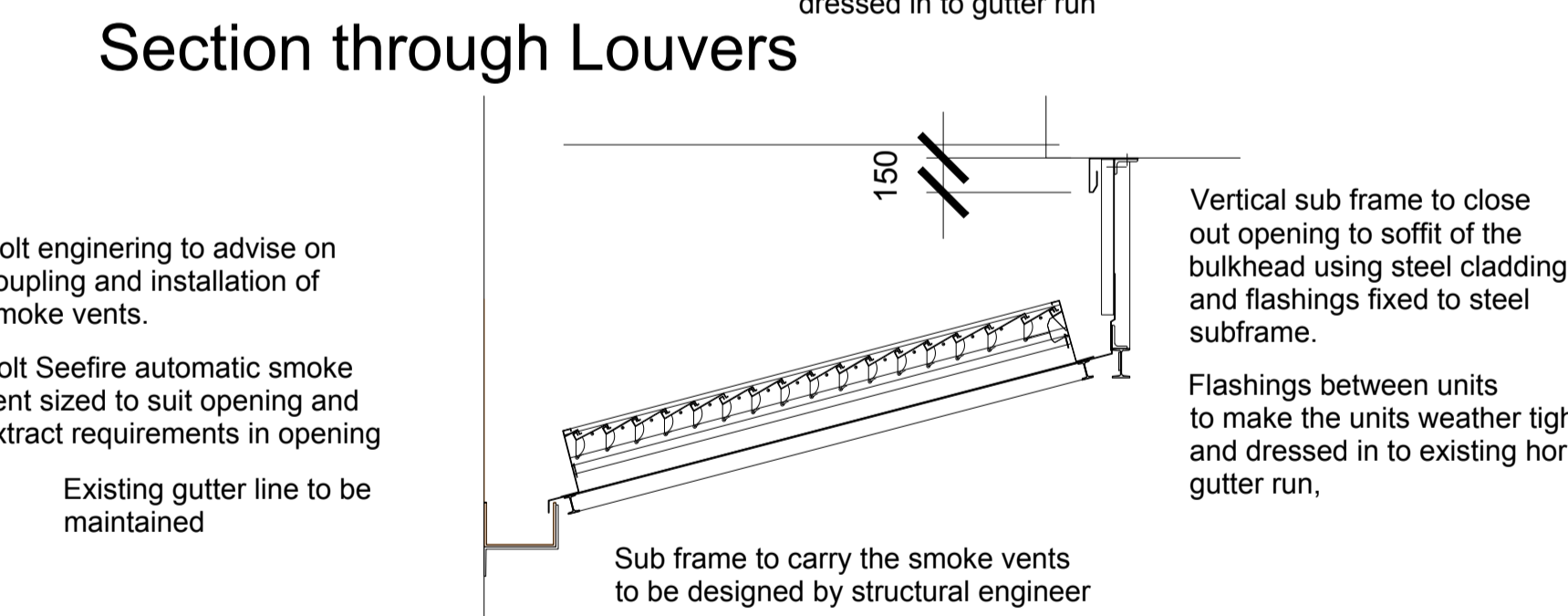
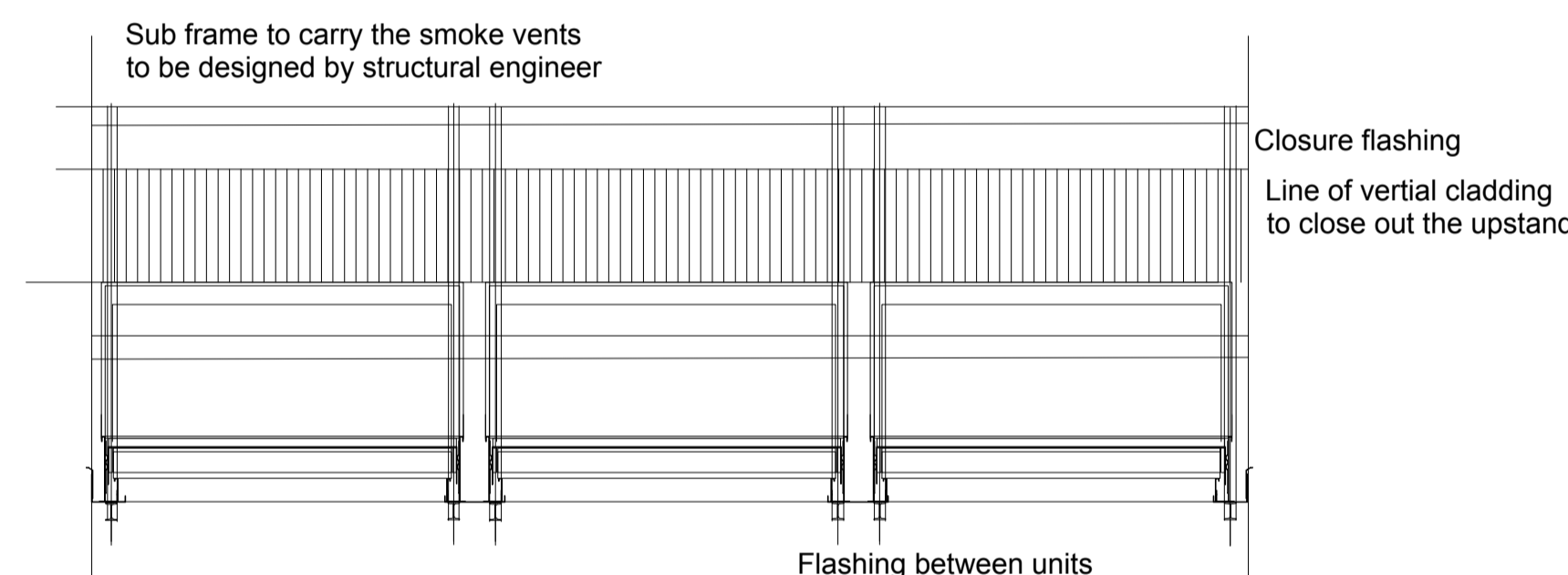
The design must comply in all respects with the requirements of the Building regulations (together with specific 'Fire Officer' requirements) except reference is made to other documentation of a higher standard.

Unless otherwise described the installation, all materials and workmanship shall be in accordance with the latest British Standard Codes of Practice where such exist.

The contractor will be required to develop the scheme to comply with planning conditions, Building regulations, relevant British and European standards and in accordance with the best practice including the following technical and regulatory guidance:

- Building Regulations Approved Documents for England & Wales approved documents.

Revision	Date	Description	By	Check
B	10.06.2016	Location of louvers updated		
A	19.05.2016	Location of smoke extractors updated		



Mob: +447763102097 Email: studionesh@gmail.com

Client  
CITY SPACE STORAGE LIMITED

Project  
PROPOSED STORAGE CENTRE  
WOBURN

Drawing Title  
PROPOSED FIRE STRATEGY  
SMOKE EXTRACT SYSTEM-LOUVERS

Project No.	Issue Purpose.
0500	CONSTRUCTION

Scale @ A1	Drawn	Checked	Date
-	SS	NP	May 2016

Drawing No. GA-104B Revision B

DO NOT SCALE FROM DRAWING. ALL DIMS TO BE CHECKED ON SITE REPORT OMISSIONS AND DISCREPANCIES TO ARCHITECT IMMEDIATELY.