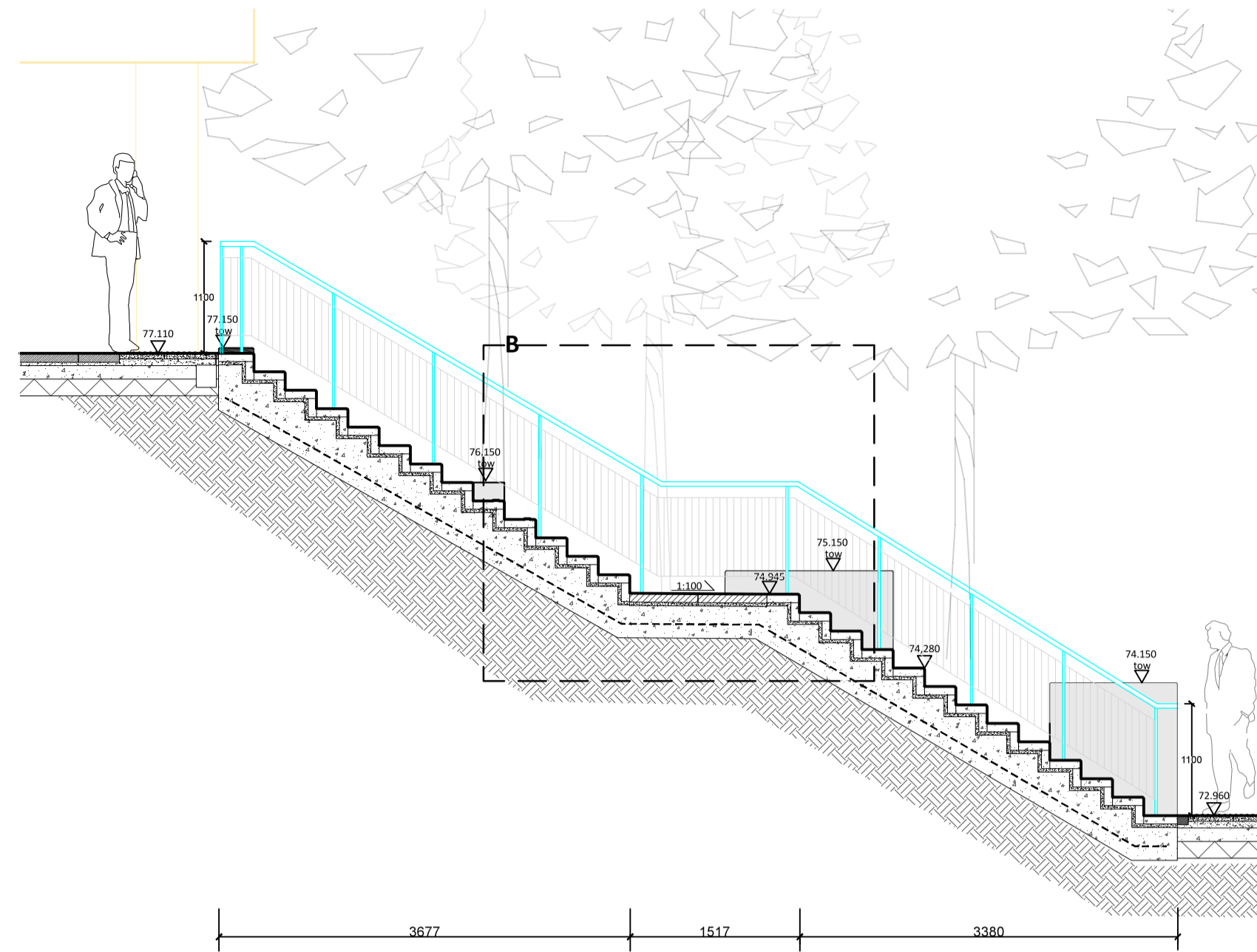
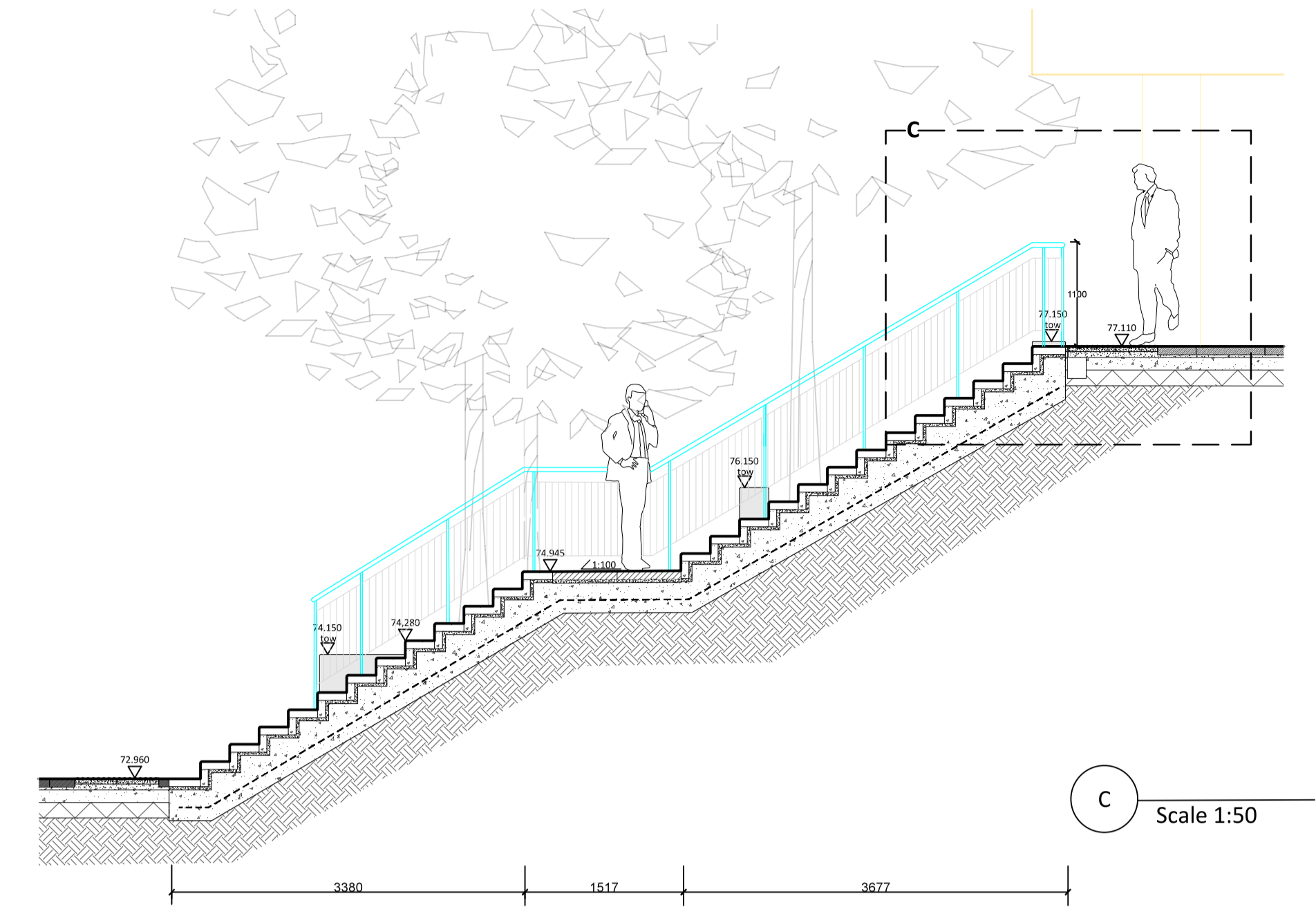


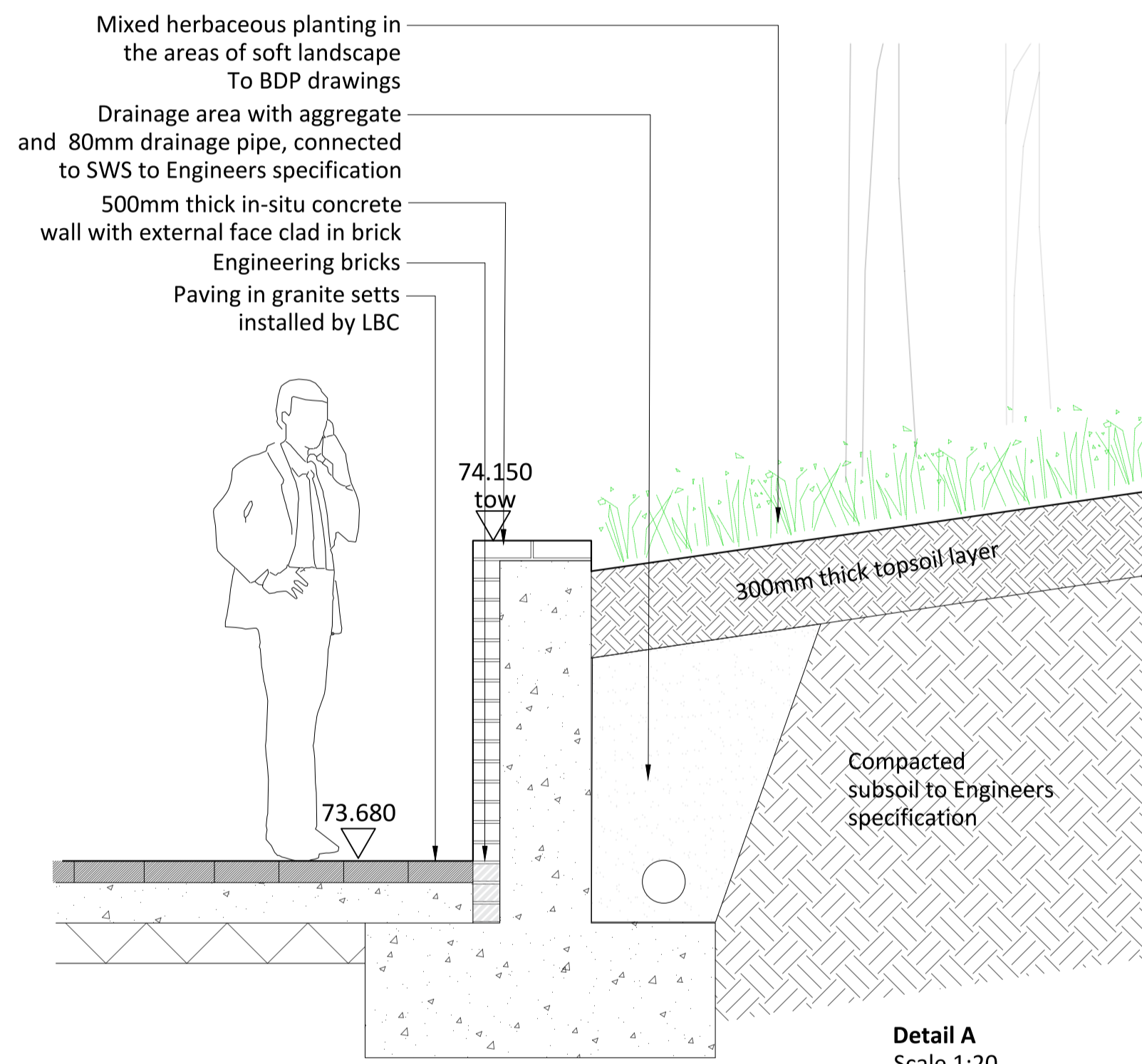
A Scale 1:50



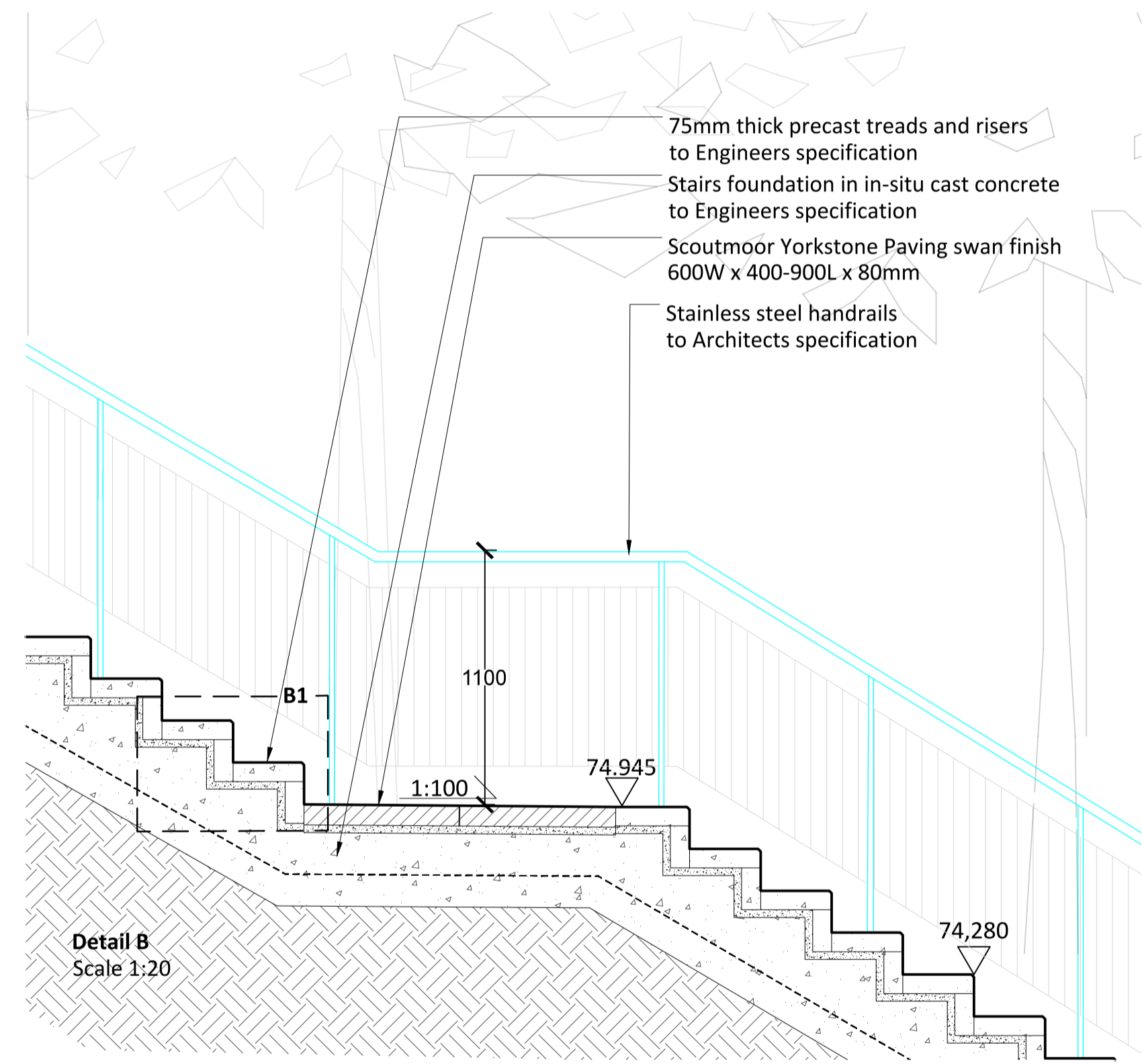
B Scale 1:50



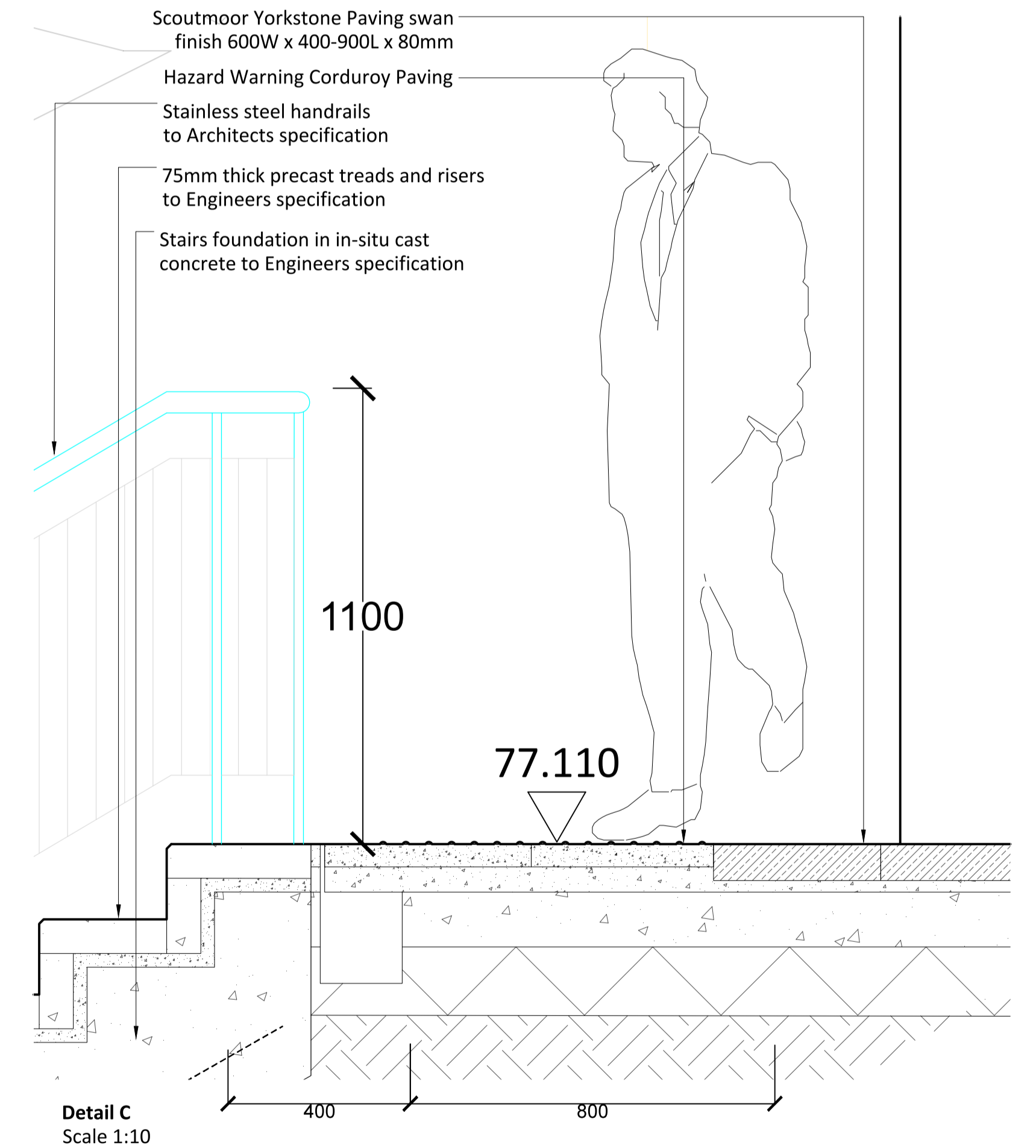
C Scale 1:50



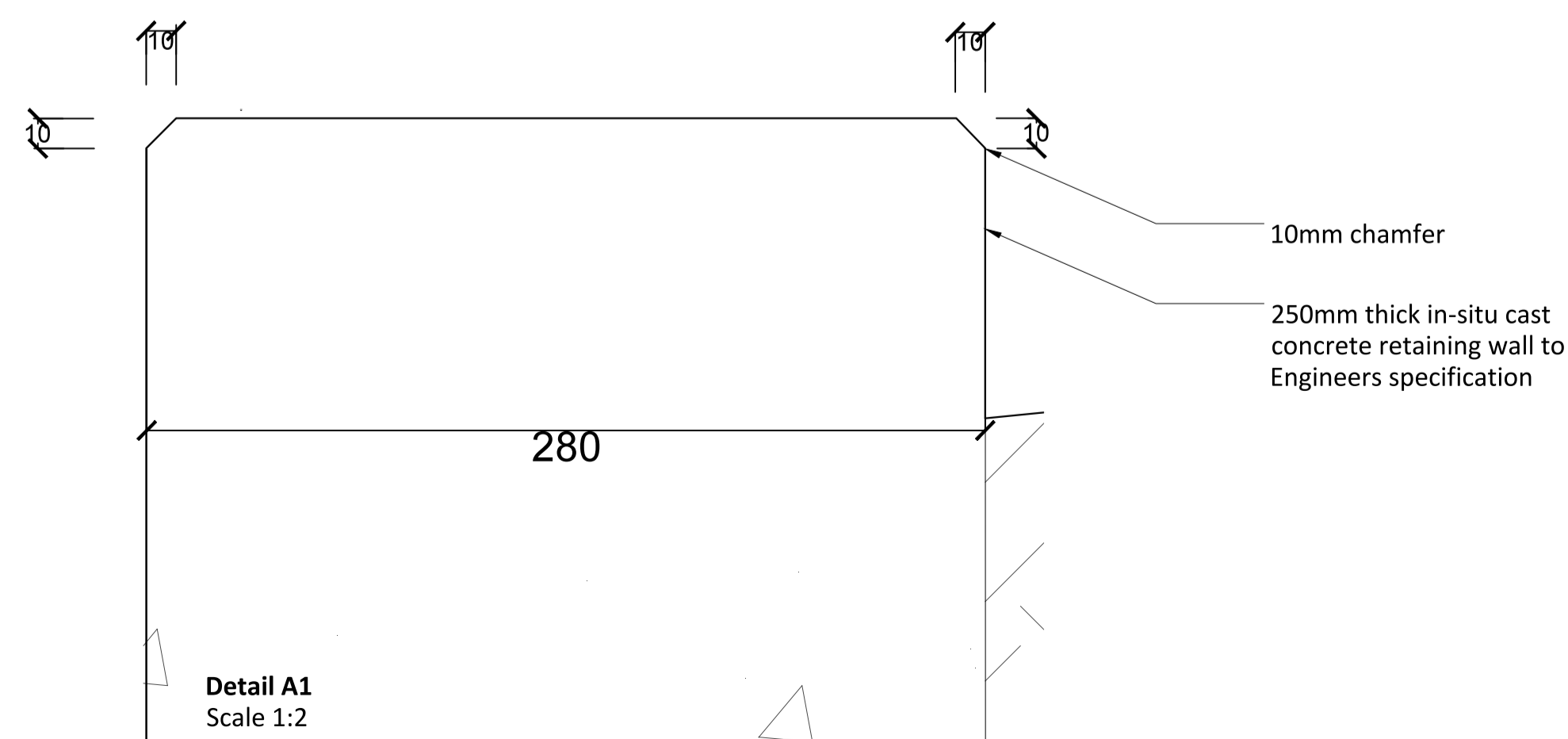
Detail A Scale 1:20



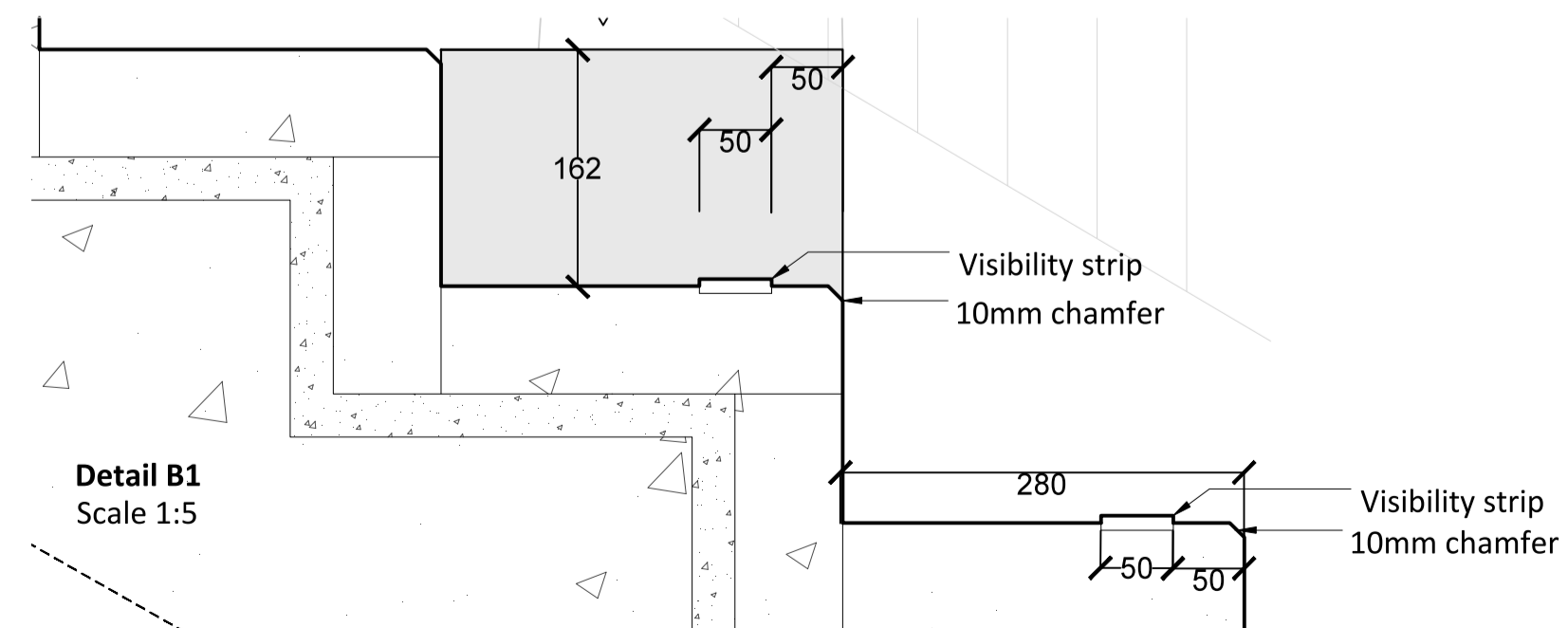
Detail B Scale 1:20



Detail C Scale 1:10



Detail A1 Scale 1:2



Detail B1 Scale 1:5

General notes:		
1. This drawing is to be read in conjunction with other C&M landscape drawings and specifications.		
2. Any discrepancies between sources of information should be immediately notified to the Landscape Architect for clarification.		
3. Do not scale off this drawing.		
4. All dimensions in mm unless otherwise stated.		
05	Revised following Hopkins	05.05.16 CP
04	Revised Layout for Planning	25.04.16 CP
03	Revised Layout	23.03.16 CP
02	Revised Layout	10.03.16 CP
01	Revised Layout	26.02.16 CP

SECTIONS	ROYAL FREE PEARS BUILDING	
	VARIES @ A1	1372-SE-201-05
FOR PLANNING	DATE	16.02.2016

The Old House, 2 Wellesley Court Road
Croydon, Surrey CRO 1LE
t +44 (0)20 8688 9083 f +44 (0)20 8686 5844
e croydon@colmog.co.uk www.colmog.co.uk

colvin& moggridge