

ALAN GREEN BSc, C Eng, MICE
CONSULTING ENGINEER

119 DUKE ROAD, LONDON W4 2BX
Tel no. 020 8995 1845
alan.greenw4@btinternet.com

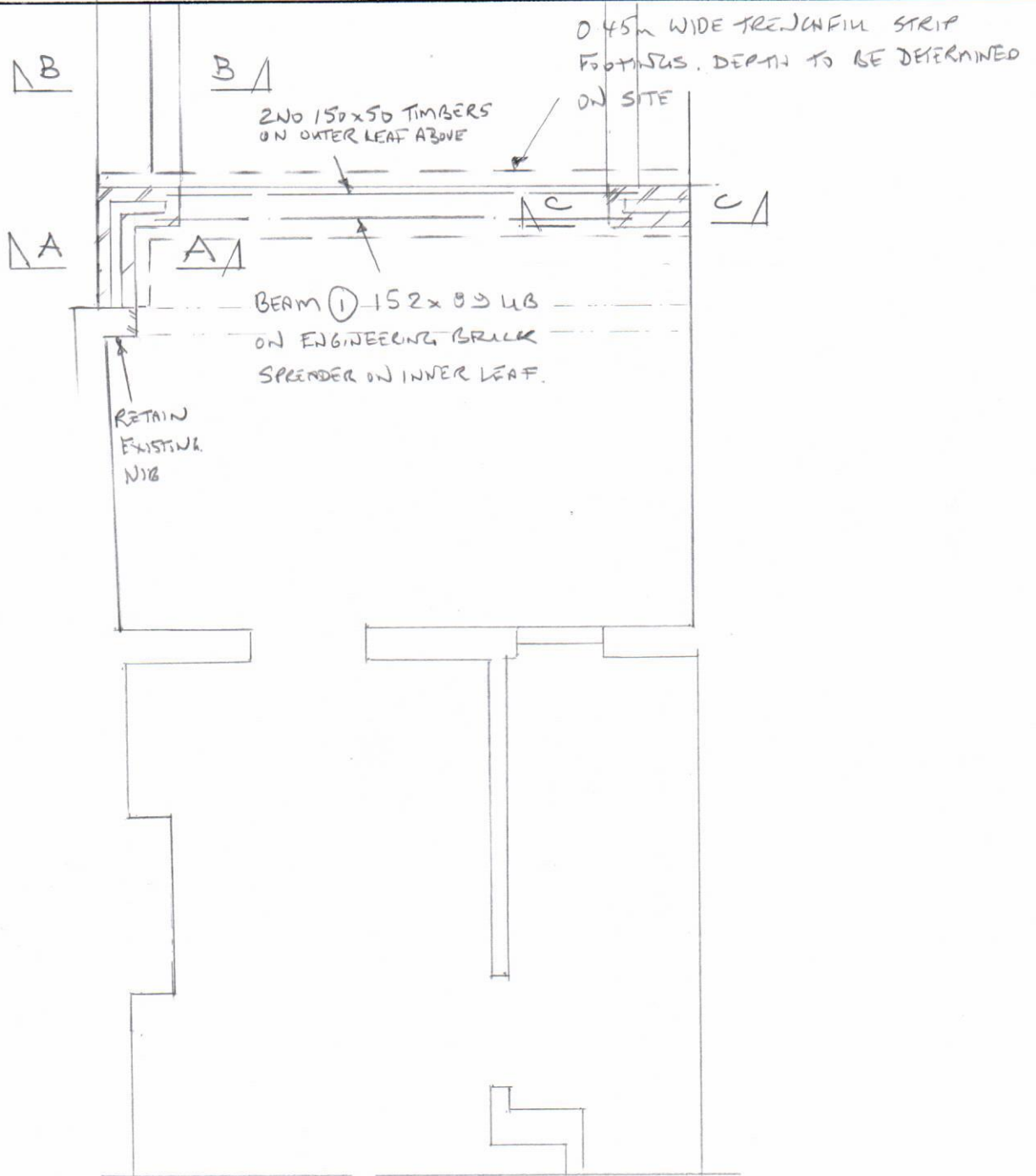
Date 3/16

Sheet No.

Eng. AG

6957/SK1 B

Job. 12 LEVERTON STREET
LONDON NW5



GROUND FLOOR PART PLAN

ALAN GREEN BSc, C Eng, MICE
CONSULTING ENGINEER

119 DUKE ROAD, LONDON W4 2BX
Tel no. 020 8995 1845
alan.greenw4@btinternet.com

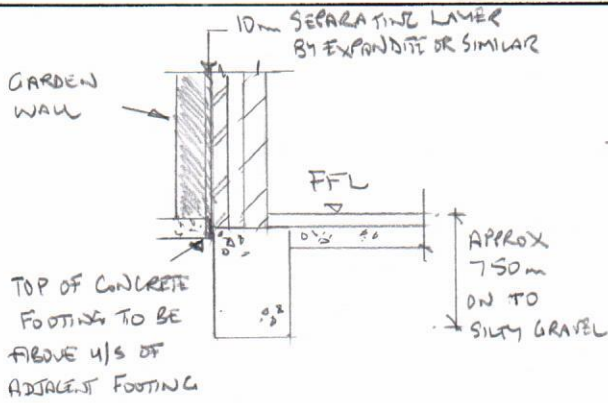
Date 5/16

Sheet No.

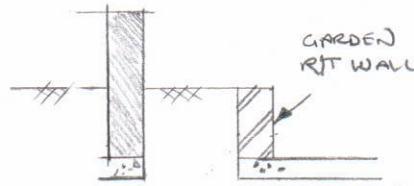
Eng. *MG*

6957/5K2

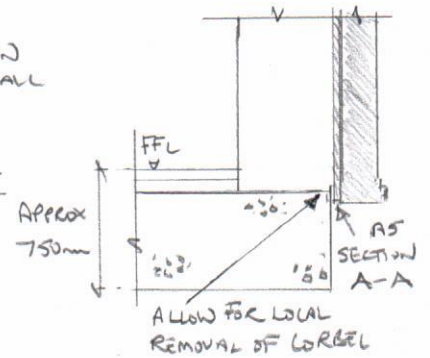
Job. 12 LEVERTON STREET
LONDON NWS



A - A



B - B



C - C

ALAN GREEN BSc, C Eng, MICE
CONSULTING ENGINEER

119 DUKE ROAD, LONDON W4 2BX
Tel no. 020 8995 1845
alan.greenw4@btinternet.com

Date 3/16

Sheet No.

Eng. *AG*

6957/1

Job. 12 LEVERTON STREET
LONDON NW5

STRUCTURAL DESIGN FOR GROUND FLOOR EXTENSION

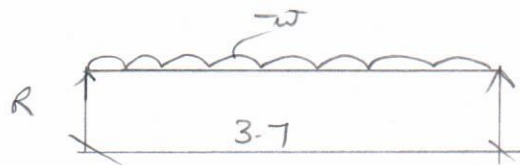
TO BE READ IN CONJUNCTION WITH ARCHITECT'S DRAWINGS
AND DRAWING NO 6957/SK1

UNIT LOADS

GLAZED ROOF DL+IL 0.6+0.6 = 1.2 kN/m² PLAN

BEAM ①

LOADING



w. GLAZED ROOF $1.2 \times 3.2 \times 0.5 = 1.9 \text{ k/m}$

$R = 3.6 \text{ kN}$

BENDING $M = 1.9 \times 3.7 \frac{2}{8} = 3.3 \text{ kNm}$

FOR 152x89 UB, $f_c = \frac{3.3 \times 10^6}{110 \times 10^3} = 30 \text{ N/mm}^2 < p_{bc}$

DEFLECTION TOTAL $\delta = 2.7 \text{ mm}$

152x89 UB

SPREADER

FOR 225x100, $f = \frac{36 \times 10^3}{225 \times 100} = 0.16 \text{ N/mm}^2$

ENGINEERING
BRICK SPREADER