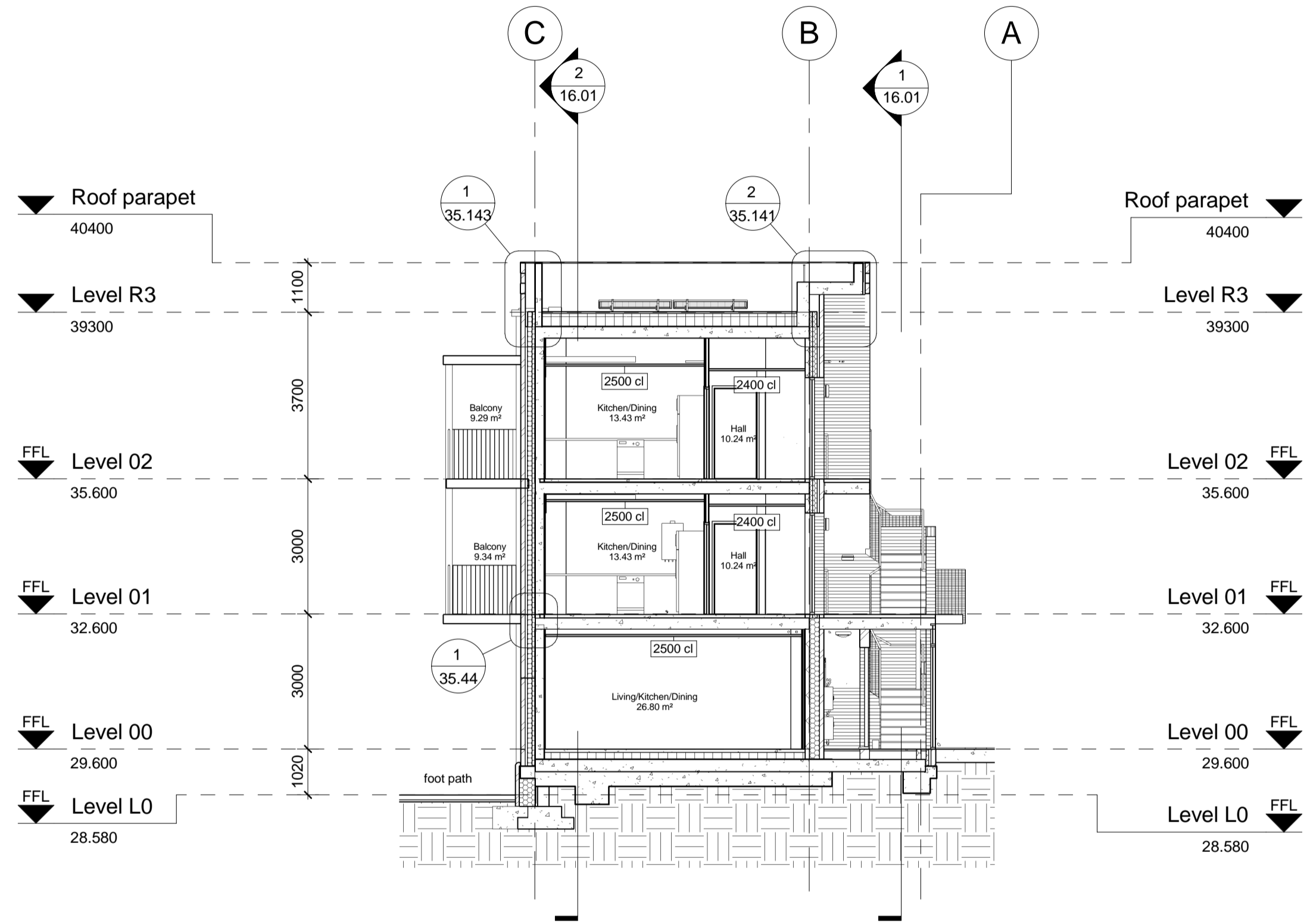
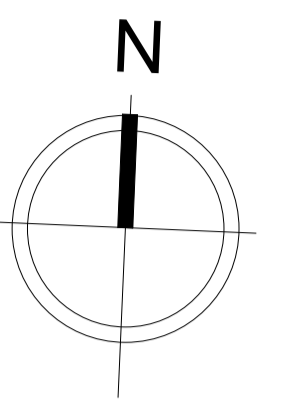
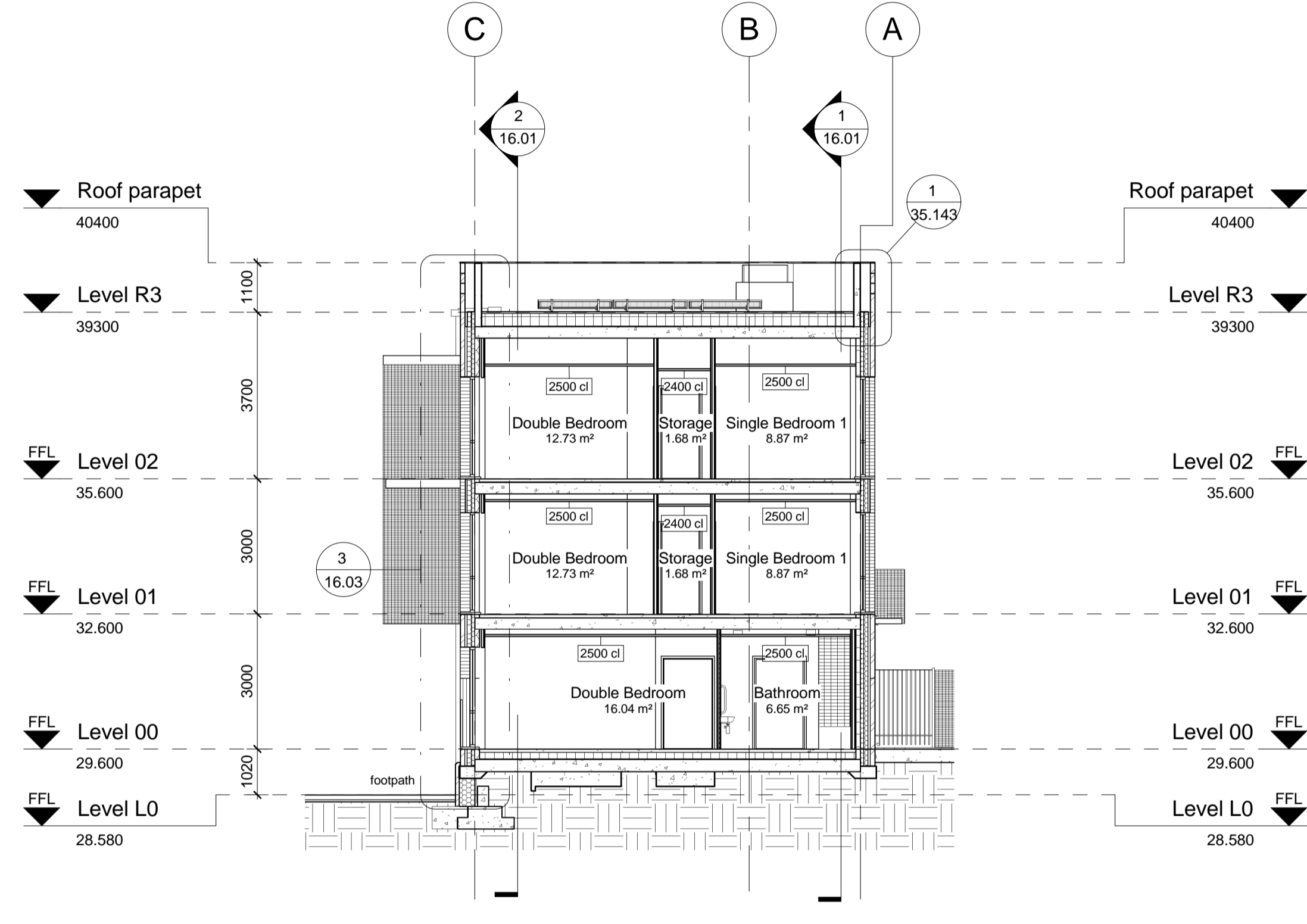


All dimensions to be verified on site by Main Contractor before the start of any shop drawings or work whatsoever either on their own behalf or that of sub-contractors.
 Report any discrepancies to the Contract Administrator at once.
 This drawing is to be read with all relevant Architect's and Engineer's drawings and other relevant information.
 © Ingleton Wood LLP

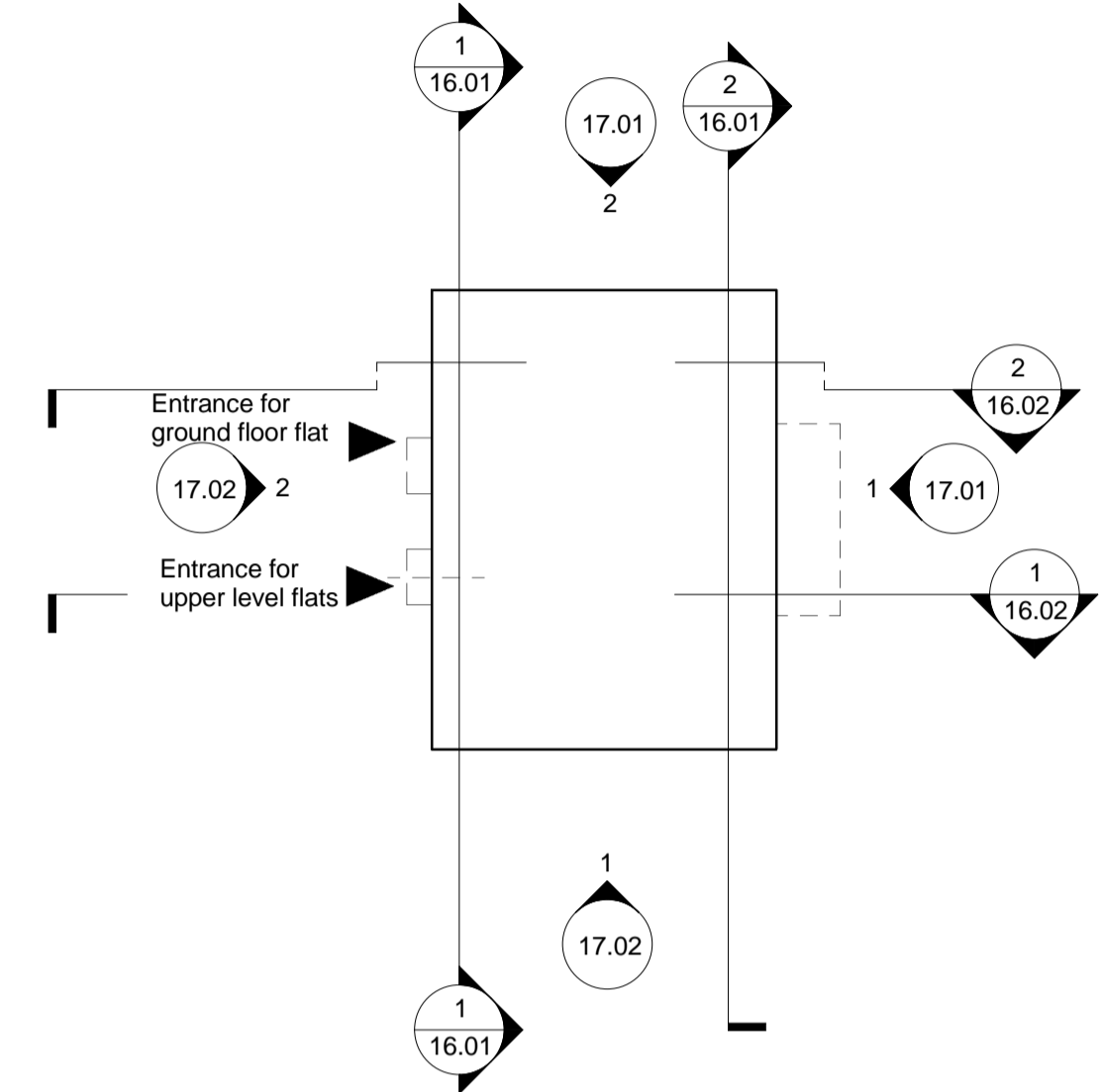
LEGEND: DO NOT SCALE



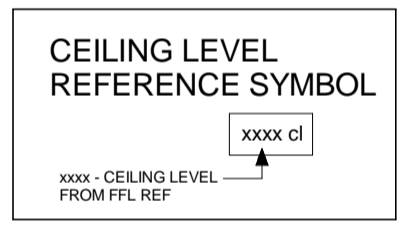
1 Section 3
1 : 100



2 Section 4
1 : 100



Block Plan
1 : 200



F	28.04.16	Ceiling tags added	LS	JR
E	27.04.16	Structural elements updated	LS	JR
D	07.03.16	Planter box extents amended	ET	JR
C	19.01.16	Amended to suit client comments	LS	JR
B	17.12.15	Amendments	AA	JR
A	28.08.15	First issue	JR	JR

Rev: | Date: | Description: | Chk: | Apr:

Scale @ A1: As indicated | Issuing Office: London | Project No: 84923

Status: S4 | Purpose of Issue: Construction

Ingleton Wood
 Vision, form and function
 London
 1 Alie Street
 London E1 8DE
 T: 020 7680 4400
 www.ingletonwood.co.uk

Billericay
Cambridge
Colchester
London
Norwich

Project:
 Regents Park Estate
 Plot 9 - St. Bedes Mews
 London
 NW1 4DY

Drawing Title:
 Building Sections 3 & 4

Client:
 Lovell Partnership Ltd.

File Ref: SBM - IW - XX - ZZ - DR - A - 16.02 | Revision: F