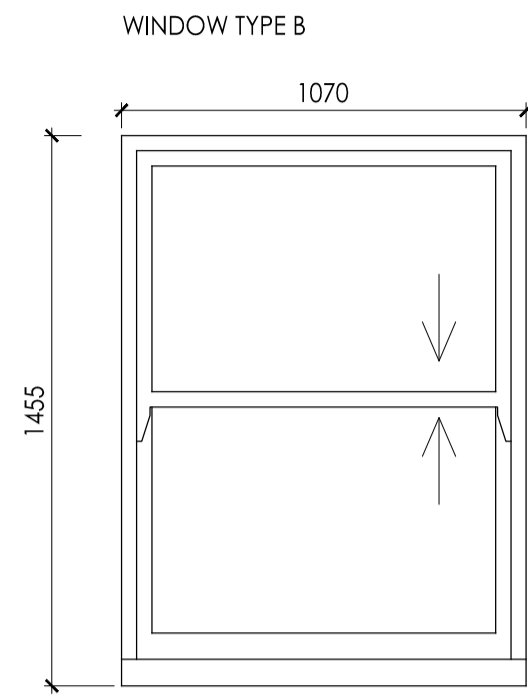


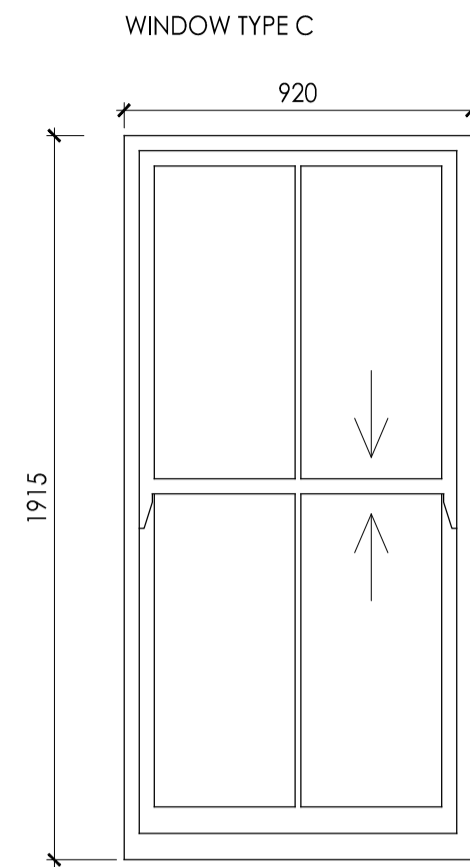
WG.01, WG.32, W1.01,  
W1.32, W2.01, W2.32,  
W3.01, W3.32, W4.01,  
W4.32, W5.01, W5.32.

TOTAL 12NO.



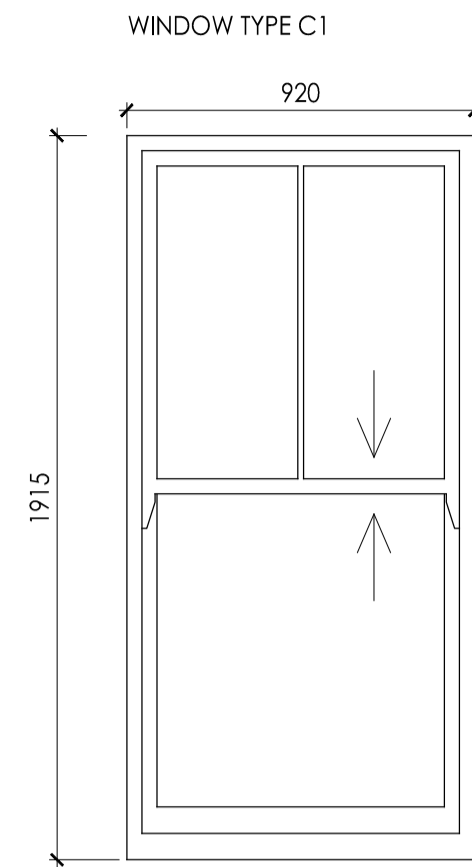
WG.02, WG.03, W1.02,  
W1.03, W2.02, W2.03,  
W3.02, W3.03, W4.02,  
W4.03, W5.02, W5.03

TOTAL 12NO.



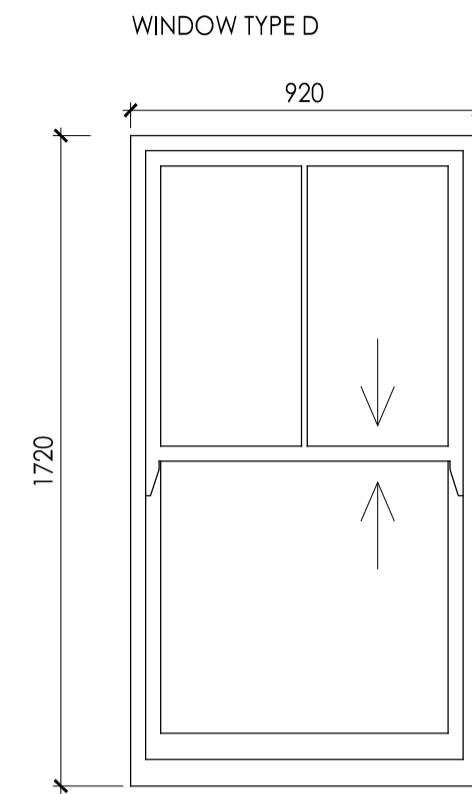
WG.04, WG.05, W1.04,  
W2.04, W2.05, W3.04,  
W3.05, W5.04, W5.05

TOTAL 9NO.

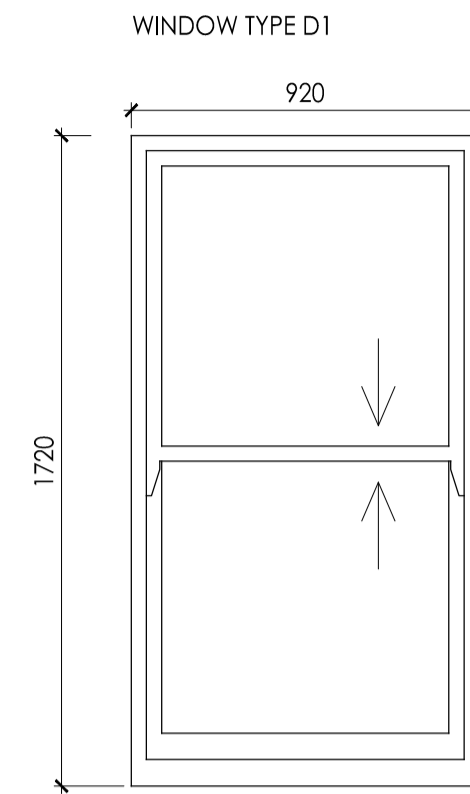


W1.05, W1.06, W1.07,  
W2.06, W2.07, W3.06,  
W3.07, W4.04, W4.05,  
W4.06, W4.07, W5.06, W5.07

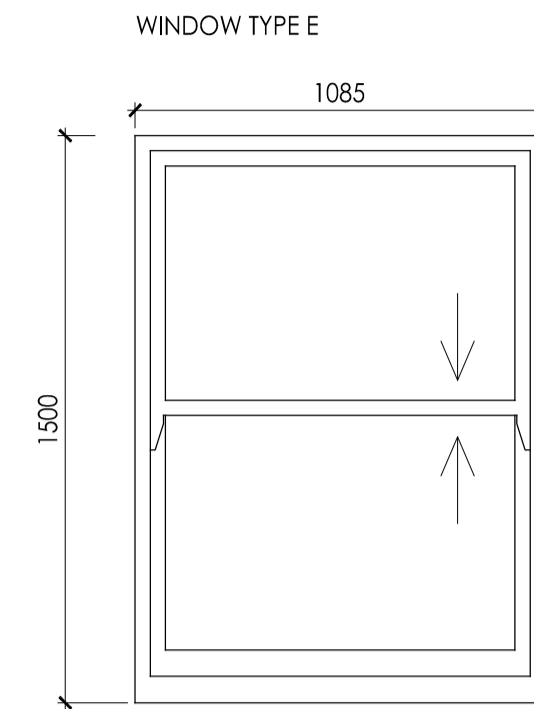
TOTAL 13NO.



WG.06  
TOTAL 1NO.

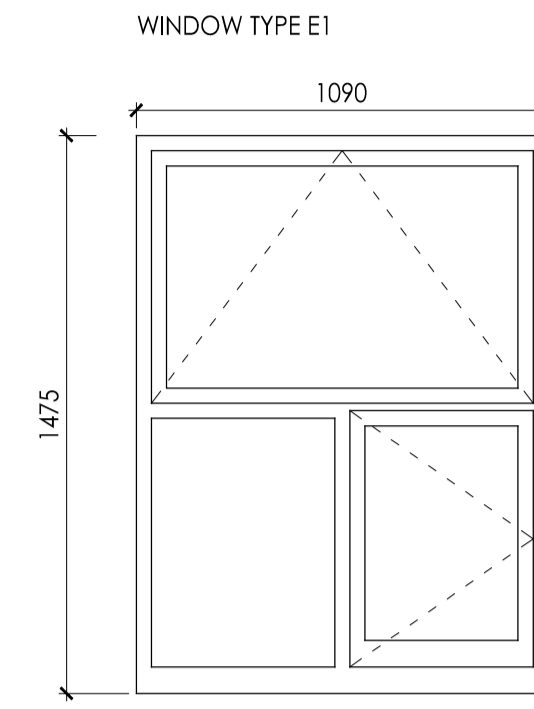


WG.07  
TOTAL 1NO.

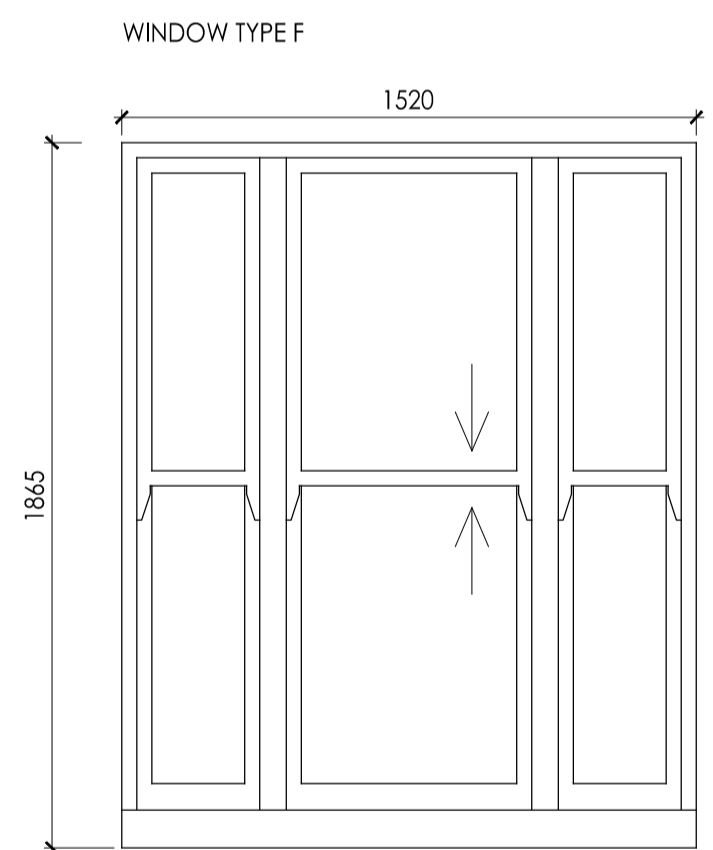


WG.08, WG.09, WG.23, WG.30,  
WG.39, WG.45, WG.46, WG.47,  
W1.08, W1.09, W1.23, W1.30, W1.40,  
W1.46, W1.47, W1.48, W2.08, W2.09,  
W2.23, W2.30, W2.40, W2.47, W2.48,  
W2.49, W3.08, W3.09, W3.23, W3.30,  
W3.40, W3.47, W3.48, W3.49, W4.08,  
W4.09, W4.23, W4.30, W4.40, W4.48,  
W4.50, W5.08, W5.09, W5.23, W5.30,  
W5.40, W5.47, W5.48, W5.49.

TOTAL 47NO.

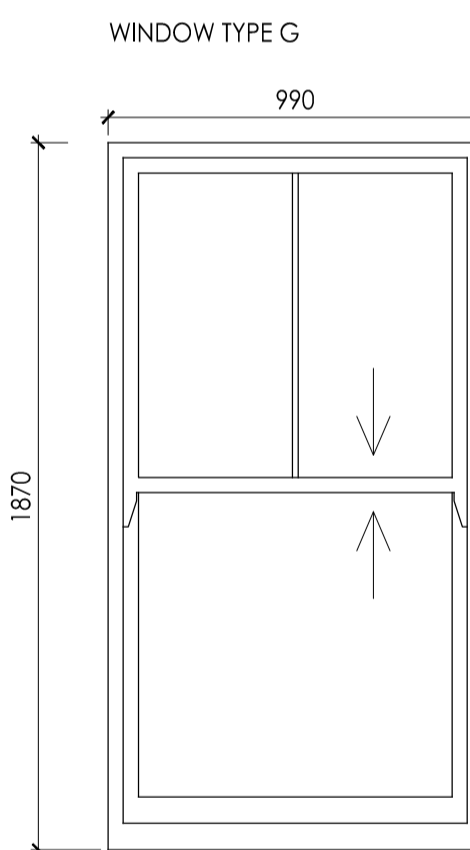


W4.49.  
TOTAL 1NO.



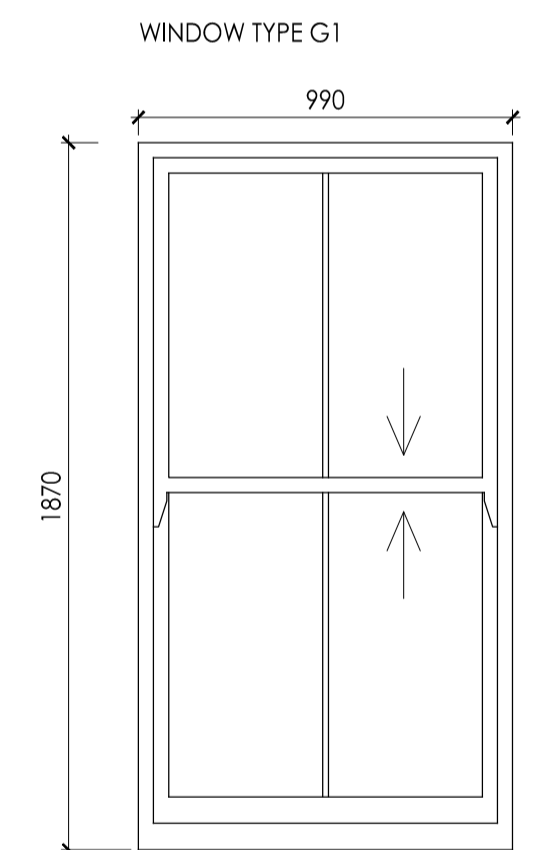
WG.10, WG.16, WG.22, WG.24, WG.31, WG.41,  
W1.10, W1.16, W1.22, W1.24, W1.31, W1.42, W2.10,  
W2.13, W2.16, W2.22, W2.24, W2.31, W2.43, W3.10,  
W3.13, W3.16, W3.22, W3.24, W3.31, W3.43, W4.10,  
W4.13, W4.16, W4.22, W4.24, W4.31, W4.43, W5.10,  
W5.13, W5.16, W5.22, W5.24, W5.31, W5.43.

TOTAL 40NO.



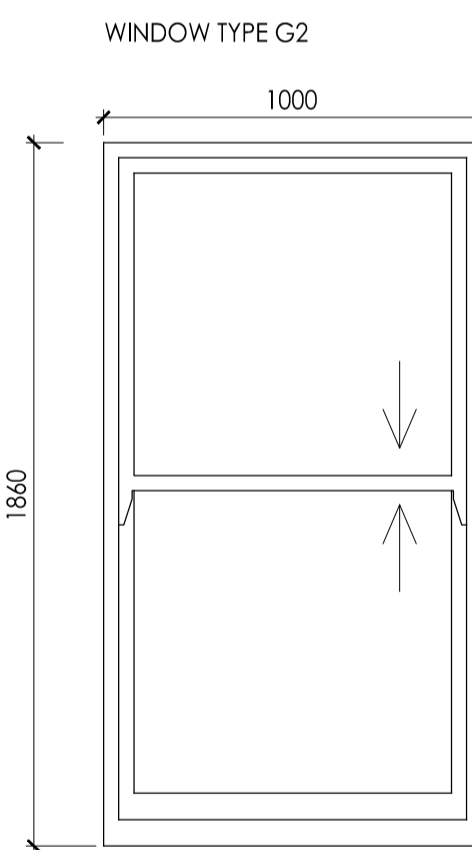
WG.11, WG.19, WG.20, WG.53,  
W1.17, W1.20, W1.54, W2.11,  
W2.12, W2.17, W2.19, W2.20,  
W2.38, W2.55, W3.17, W4.11,  
W4.12, W4.17, W4.19, W4.38,  
W4.57, W5.12, W5.17, W5.19,  
W5.38, W5.56.

TOTAL 26NO.



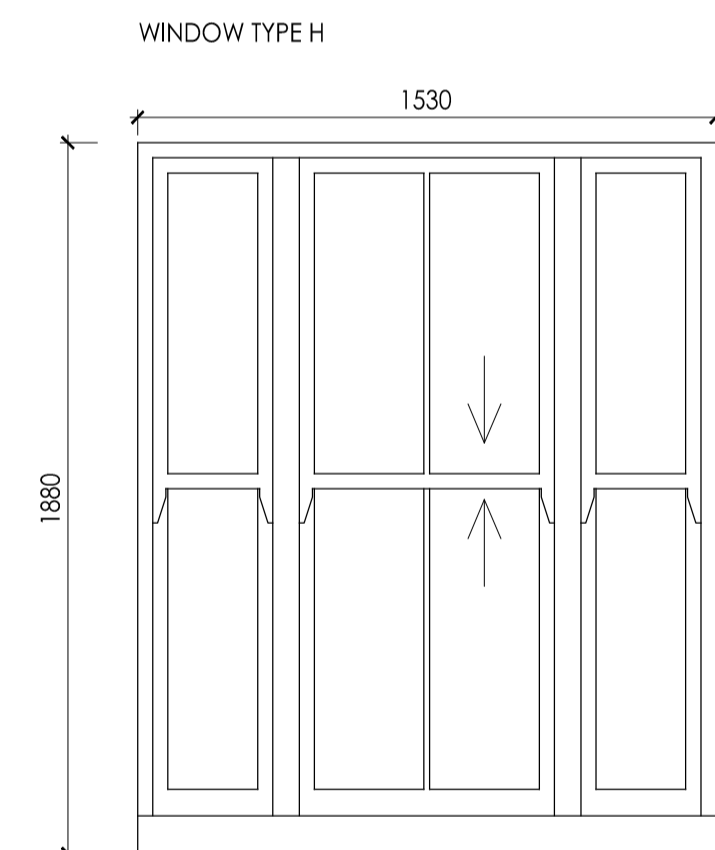
WG.12, WG.17, W1.11, W1.12,  
W1.19, W1.38, W1.55, W3.11,  
W3.12, W3.19, W3.20, W3.38,  
W3.56, W4.20, W5.11, W5.20.

TOTAL 16NO.



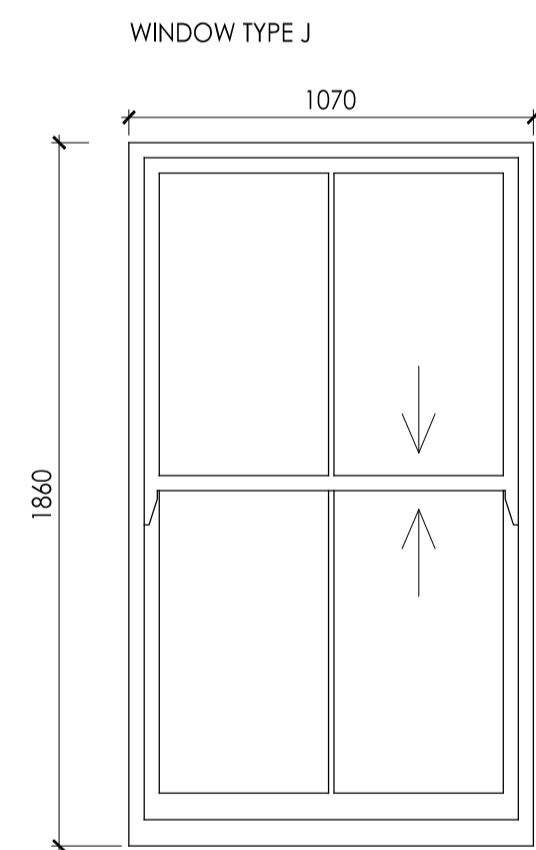
WG.38, W1.39, W2.39,  
W3.39, W4.39, W5.39.

TOTAL 6NO.



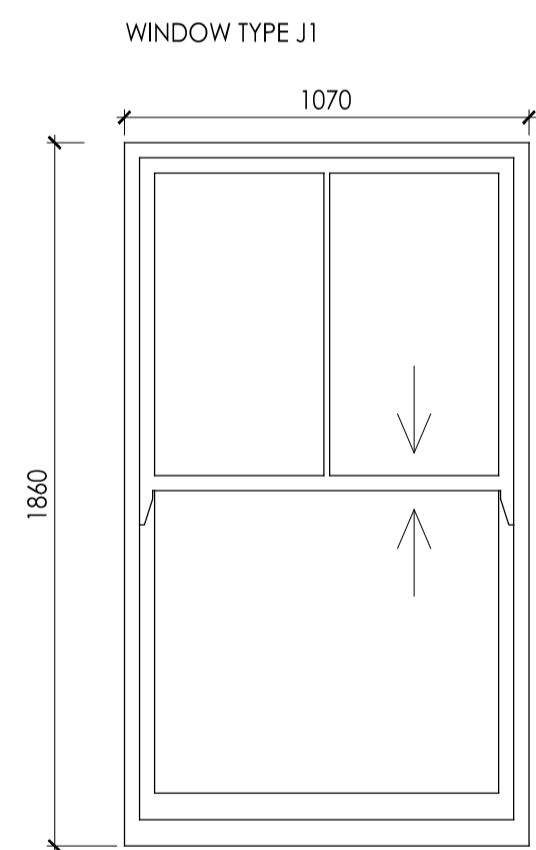
WG.13, W1.13.

TOTAL 2NO.



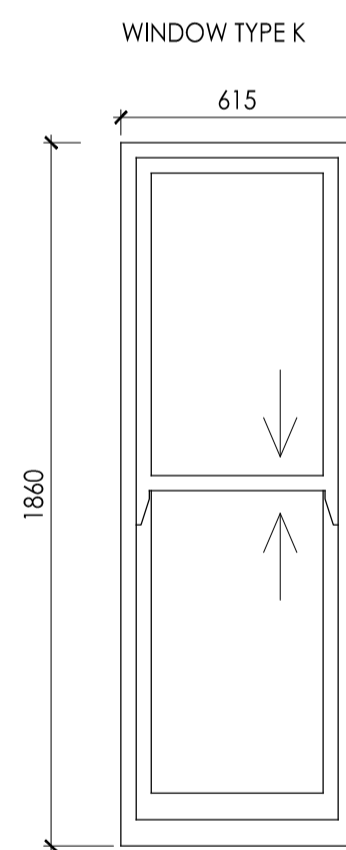
WG.14, WG.48, W1.14,  
W3.14.

TOTAL 4NO.



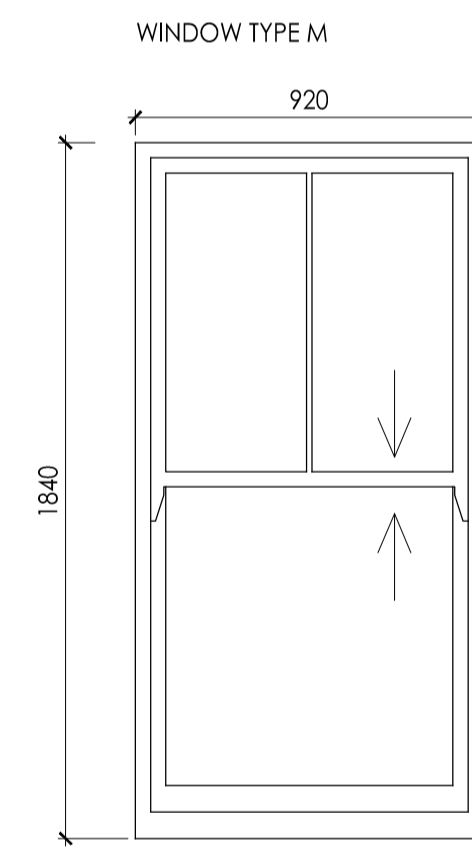
W1.49, W2.14, W2.50,  
W3.50, W4.14, W4.51,  
W5.14, W5.50.

TOTAL 8NO.



WG.18, WG.21, WG.25,  
WG.29, WG.40, WG.42,  
WG.44, W1.18, W1.21,  
W1.25, W1.29, W1.41,  
W1.43, W1.45, W2.18,  
W2.21, W2.25, W2.29,  
W2.41, W2.42, W2.44,  
W2.46, W3.18, W3.21,  
W3.25, W3.29, W3.42,  
W3.44, W3.46, W4.18,  
W4.21, W4.25, W4.29,  
W4.41, W4.46, W4.42,  
W4.44, W5.18, W5.21,  
W5.25, W5.29, W5.41,  
W5.43, W5.46.

TOTAL 44NO.



WG.26, WG.35, WG.43,  
WG.51, W1.44, WG.65,  
WG.70, W1.26, W1.27,  
W1.28, W1.35, W1.52,  
W1.58, W1.67, W1.72,  
W2.26, W2.27, W2.35,  
W2.53, W2.58, W2.68,  
W2.73, W3.27, W3.28,  
W3.35, W3.68, W3.73,  
W4.26, W4.27, W4.28,  
W4.35, W4.45, W4.54,  
W4.59, W4.74, W5.27,  
W5.28, W5.35, W5.44,  
W5.53, W5.58, W5.68,  
W5.73.

TOTAL 43NO.

DO NOT SCALE FOR CONSTRUCTION



STUDIOS 1 & 2  
OLD KINGS HEAD COURT  
11 HIGH STREET  
DORKING  
SURREY RH4 1AR  
T 01306 887070  
F 01306 876716  
admin@bpg.co.uk  
www.bpg.co.uk

BUILDING SURVEYING  
ARCHITECTURE  
PROJECT MANAGEMENT  
QUANTITY SURVEYING

**PROJECT**  
FLATS 1-66 HOLSWORTHY  
SQUARE, ELM STREET, LONDON  
WC1X 0AU

**CLIENT**  
ORIGIN HOUSING GROUP

**DATE**  
APRIL 2016

**DRAWN** RMC **CHECKED** CM

**SCALE** 1:20 @ A1 **FOR** PLANNING

**TITLE**  
EXISTING WINDOW SCHEDULE 1

**DRAWING NO.** 3821/PL04 **REV** A

SCALE 1:20 @ A1

