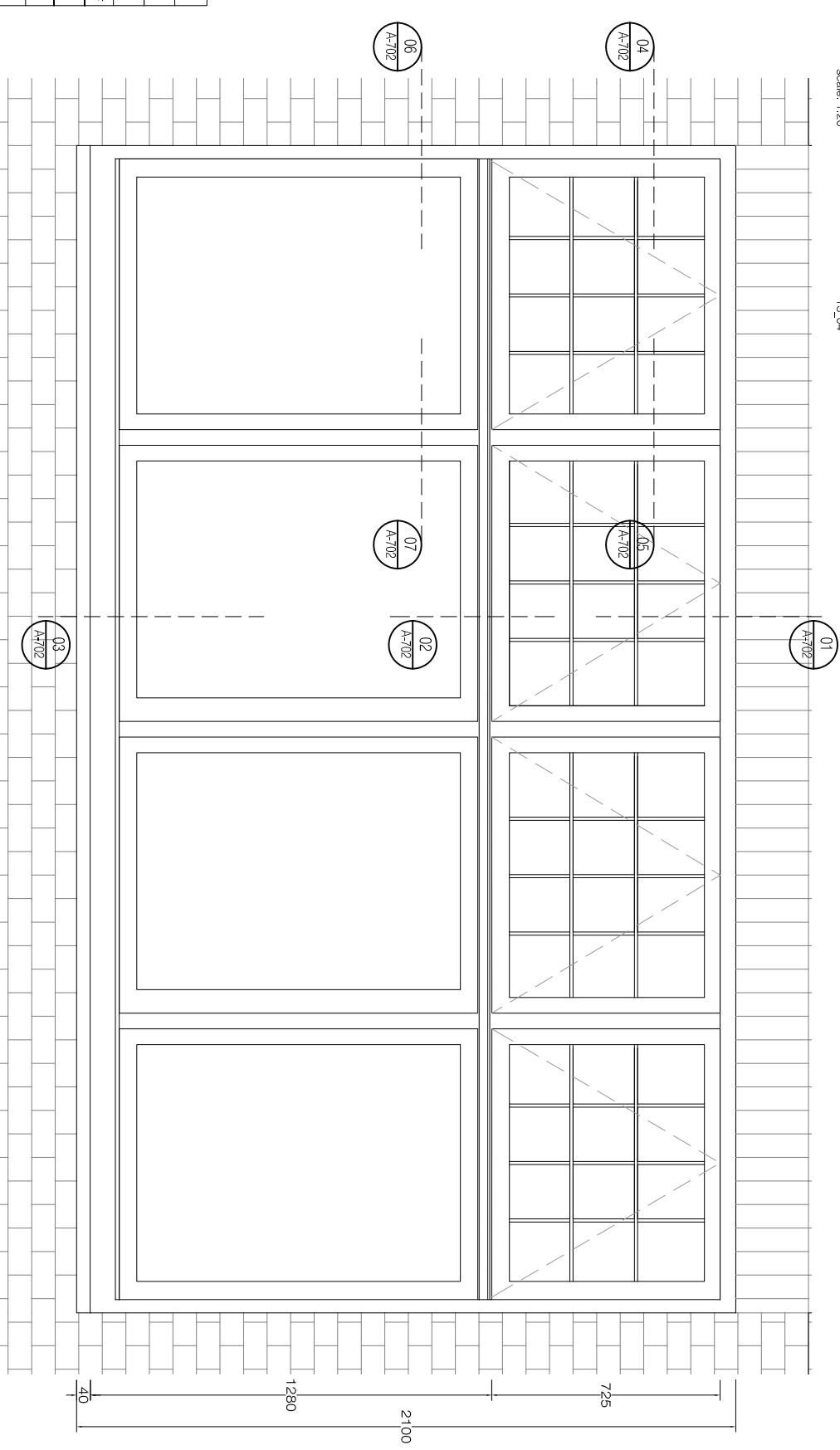


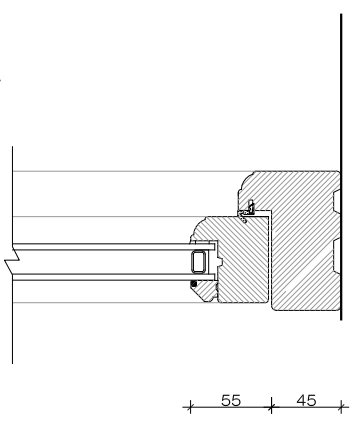
Plan W-01 - Lounge

scale: 1:20 1:3_04



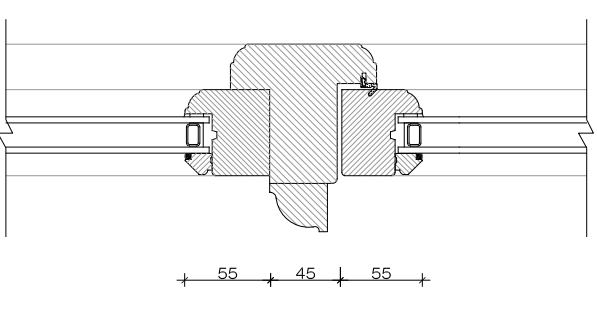
Elevation W-01 - Lounge

scale: 1:20 1:3_04



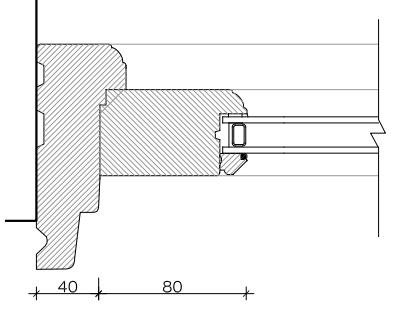
01 Detailed section

scale: 1:5 1:3_04



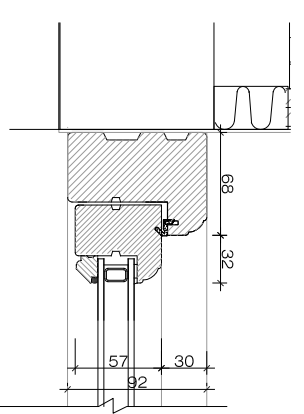
02 Detailed section

scale: 1:5 1:3_04



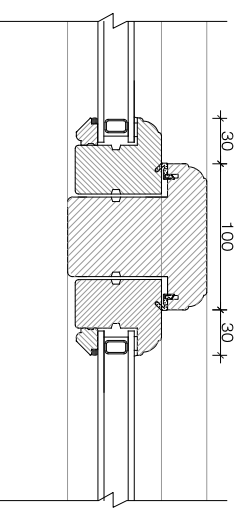
03 Detailed section

scale: 1:5 1:3_04



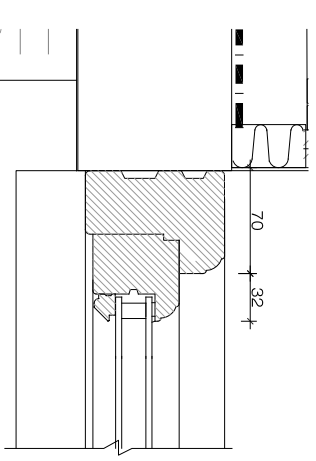
04 Detailed plan (casement)

scale: 1:5 1:3_04



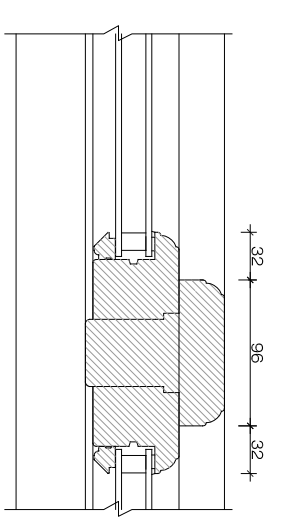
05 Detailed plan (casement)

scale: 1:5 1:3_04



06 Detailed plan (fixed)

scale: 1:5 1:3_04



07 Detailed plan (fixed)

scale: 1:5 1:3_04

W-01 : Lounge to light well patio	
Type	fix and casement
Opening	3720 x 2100
Frame	Traditional timber frame as per existing on GF
Characteristics	Lead lining to match existing
Handle	
Door edge handle	

PLEASE NOTE:

- All dimensions to be checked on site before fabrication.
- Drawings to refer to engineer's drawings before proceeding with works.
- All drawings and designs are covered by design right (intellectual property), and may not be distributed, copied or issue without written permission of the architect.
- All design concepts are the sole property of the architect and no adaptations, reproductions or copies may be made without written permission of the architect.
- These drawings are subject to any variation required or approved by the relevant statutory authority, or for the better carrying out of the works.
- Samples to be provided by contractor for the architect approval.
- All finishes to architect satisfaction.
- All drawings to be approved by the architect before construction.

ADDITIONAL NOTES:

Rev	Revised for	Date	By	Revised/Revised for	Date	By	Revised/Revised for

Client PRIVATE CLIENT	Architect SCHNEIDER DESIGNERS 15 Bon Grove, London NW9 5PT 020 8838 0000 www.schneiderdesigners.com
Project 14 ELDON GROVE NW3 5PT THIS Window Detail Lounge W-01	Scale 1:20 @ A3 AL Drawing No A-702 Project No 13_11
	Drawn/Checked/Date CV 03-Jun-16 Revision 01