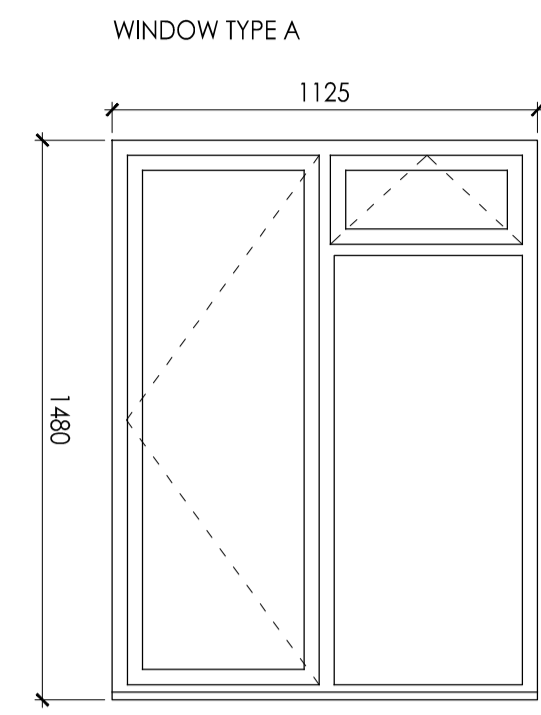
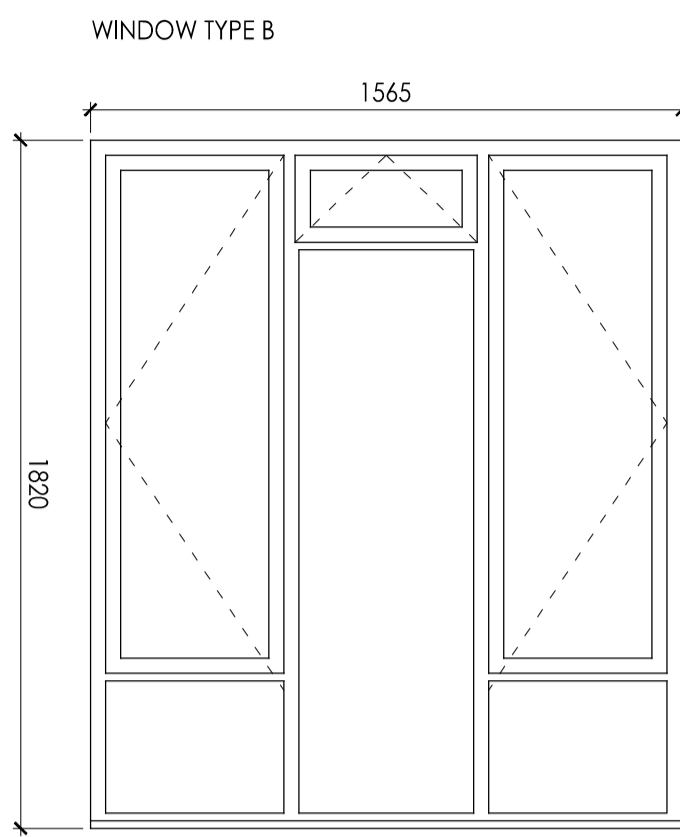


EXISTING WINDOW & DOOR SCHEDULE



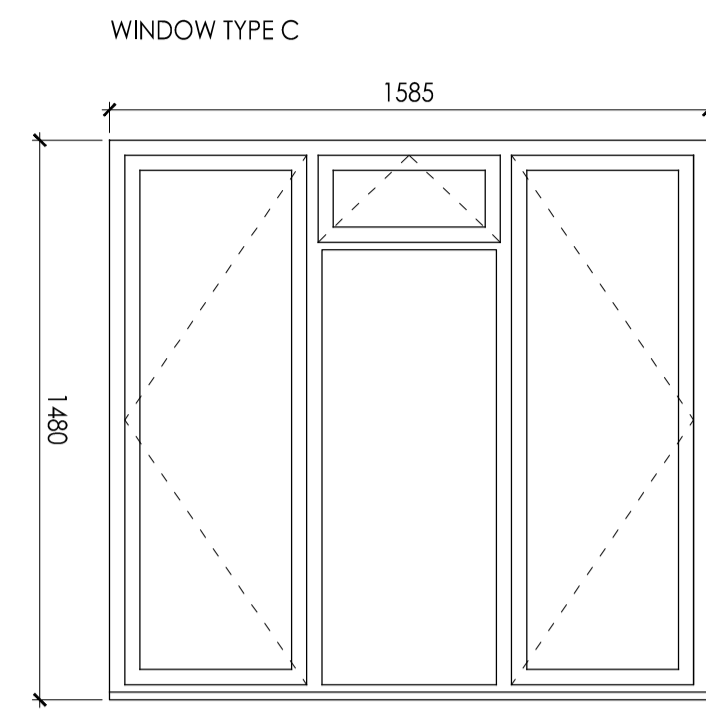
W1.01, W1.04, W1.05, W2.01, W2.04, W2.05, W3.01, W3.02, W3.03, W3.04, W3.05

TOTAL 11NO.



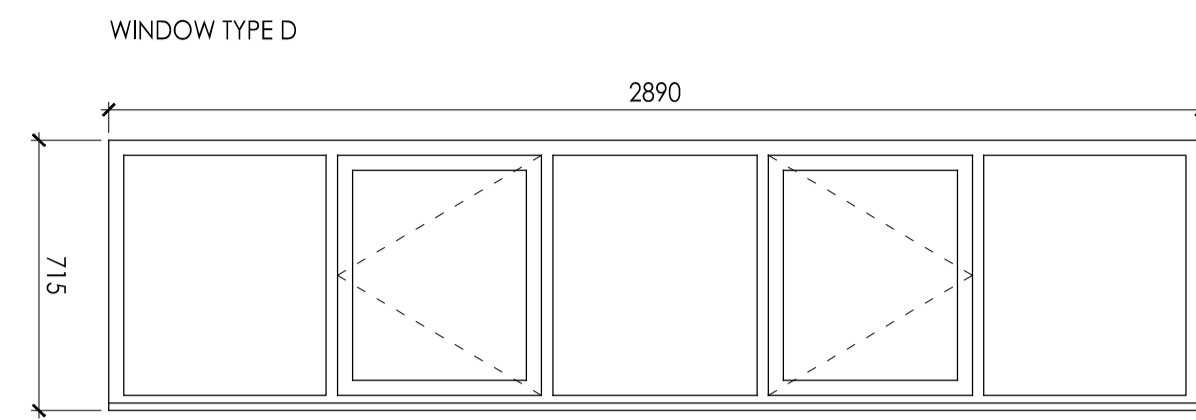
W1.02, W1.03, W1.06

TOTAL 3NO.

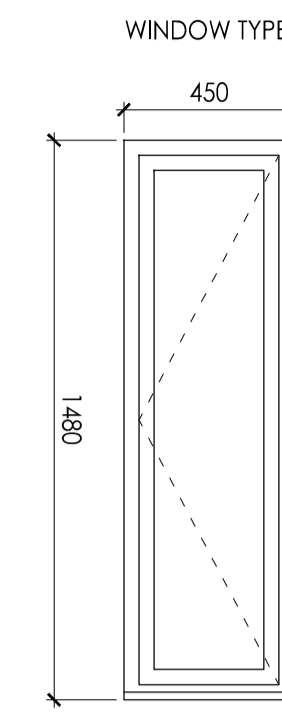


W1.09, W2.02, W2.03, W2.06, W2.09, W2.13, W3.10, W2.14.

TOTAL 8NO.

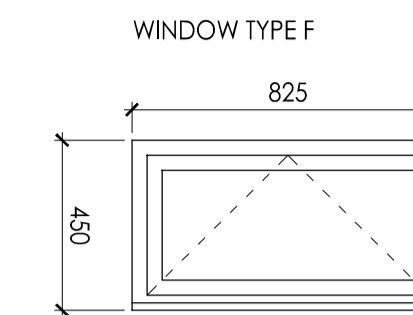


W3.06
TOTAL 1NO.

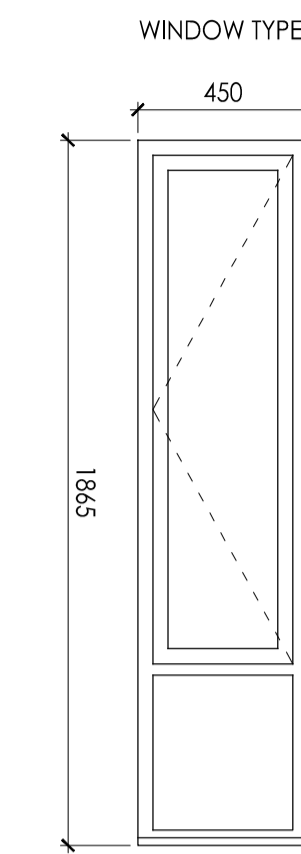


W1.07, W1.08, W2.07, W2.08, W3.08, W3.09, W3.13

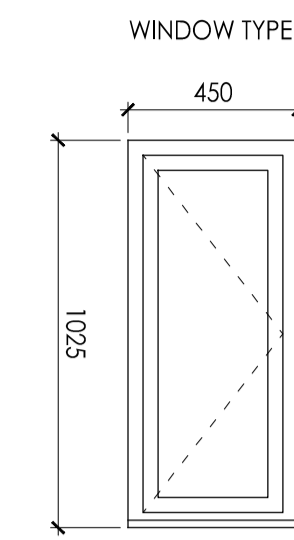
TOTAL 7NO.



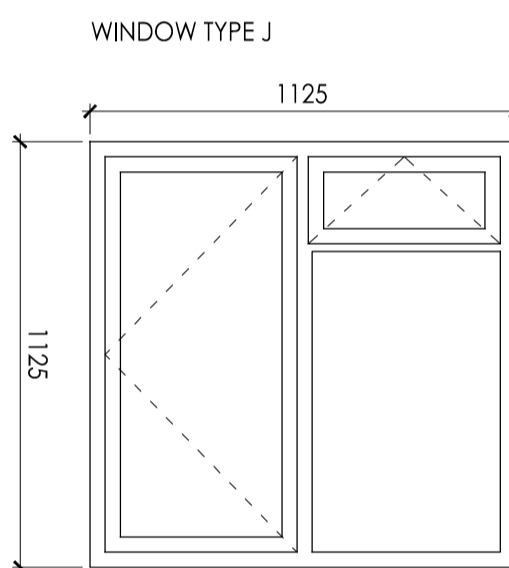
W3.07
TOTAL 1NO.



W4.01
TOTAL 1NO.

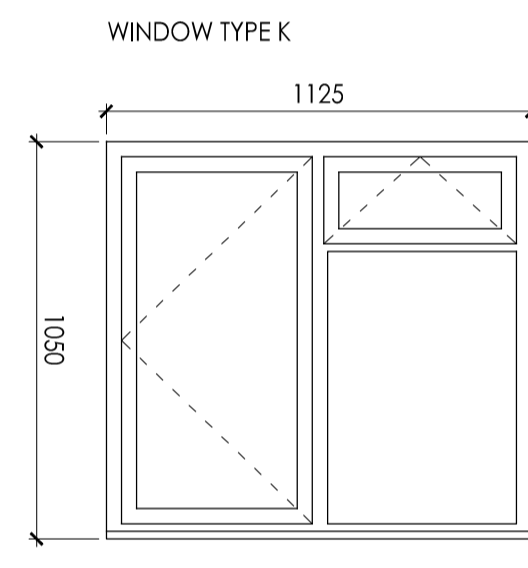


W1.10, W2.10, W3.11, W4.02
TOTAL 4NO.



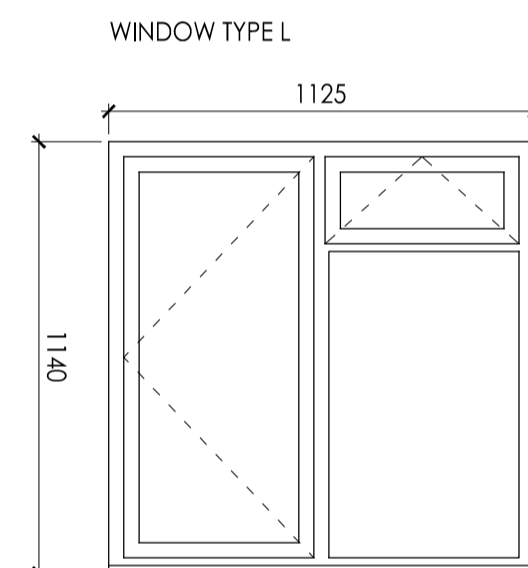
W2.11, W3.12

TOTAL 2NO.



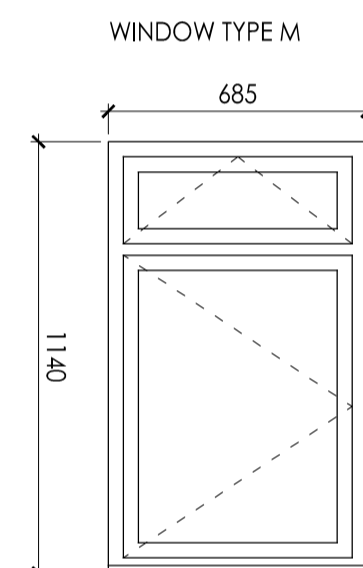
W4.04

TOTAL 1NO.



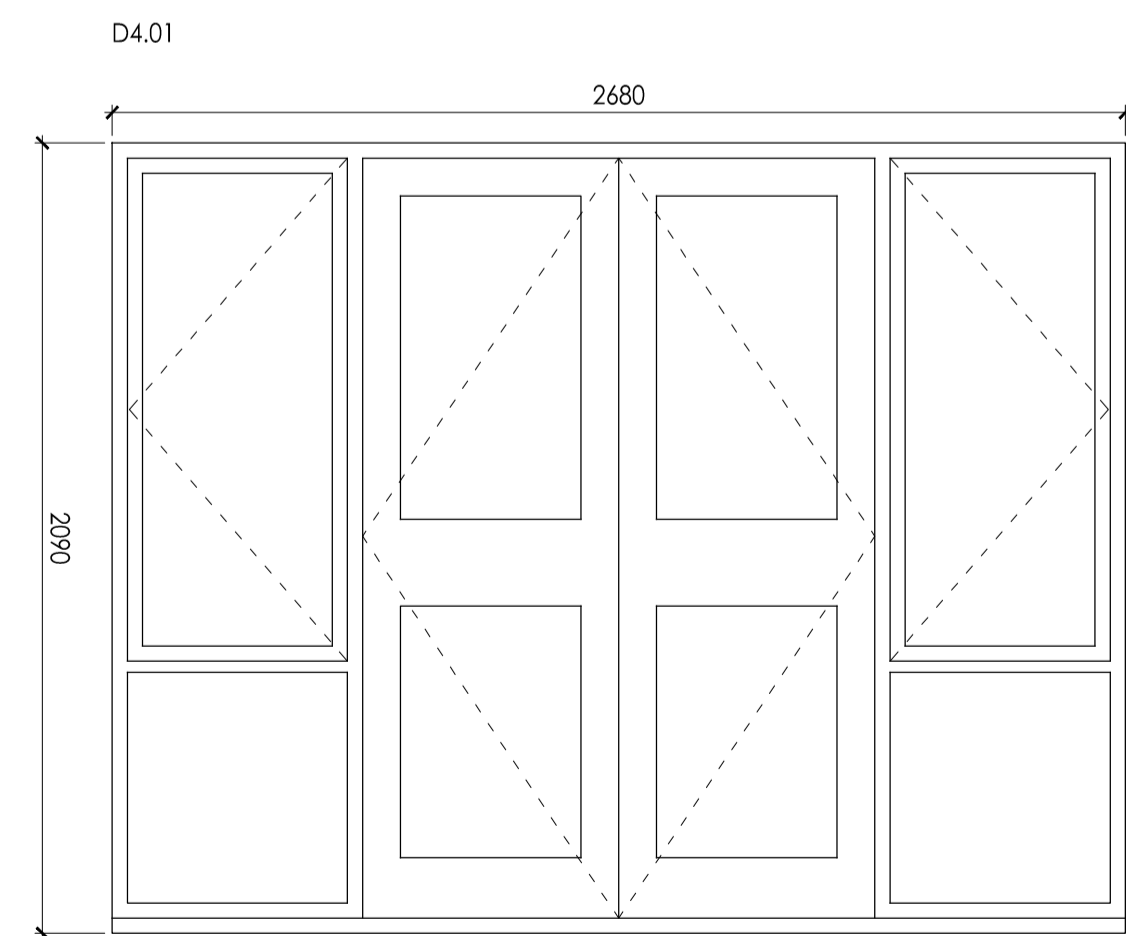
W2.12, W2.15

TOTAL 2NO.

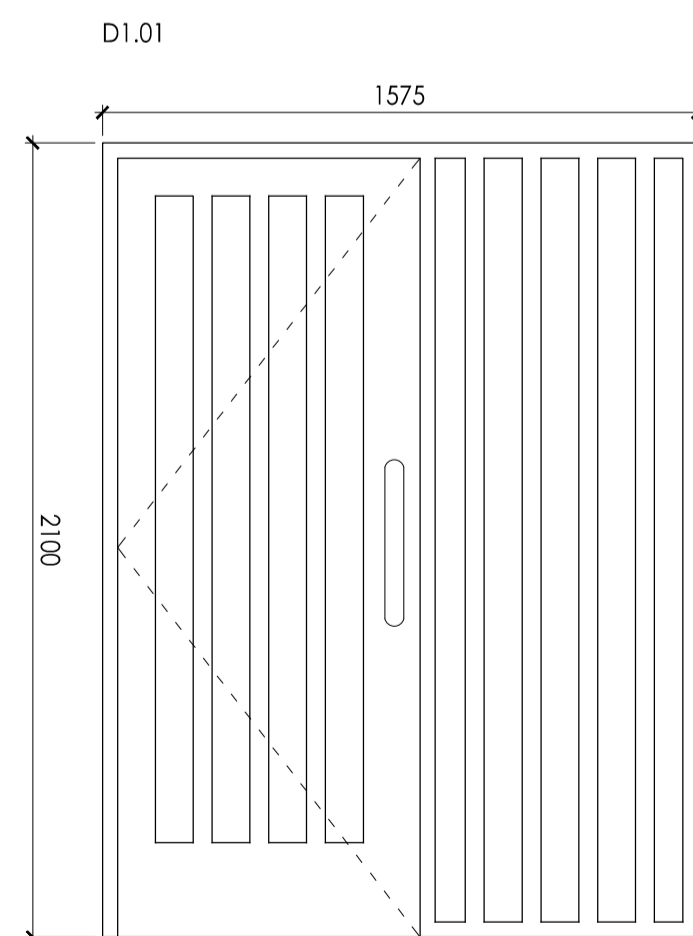


W1.11, W1.12

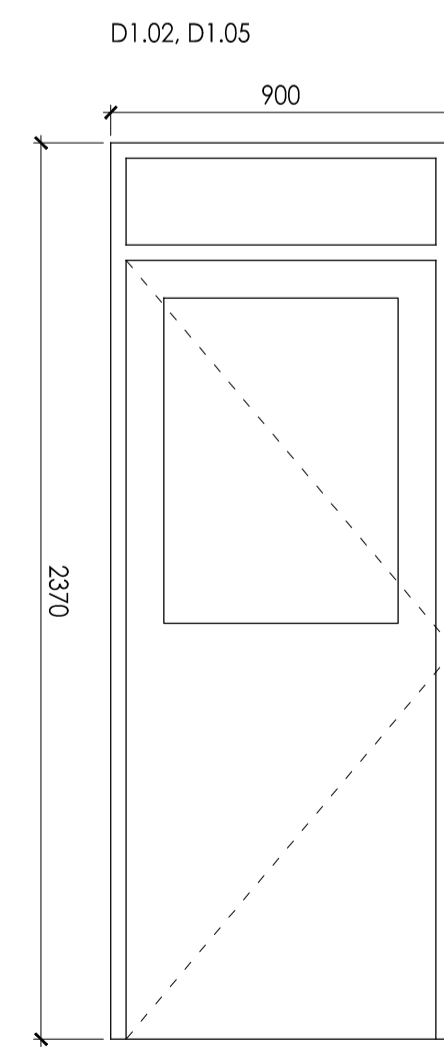
TOTAL 2NO.



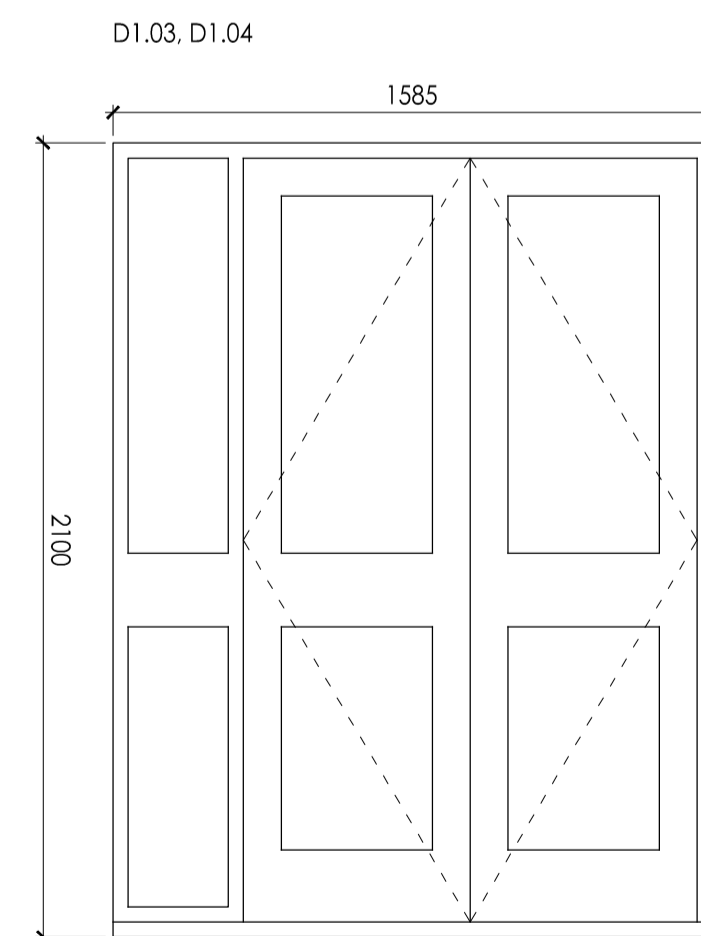
TOTAL 1NO.



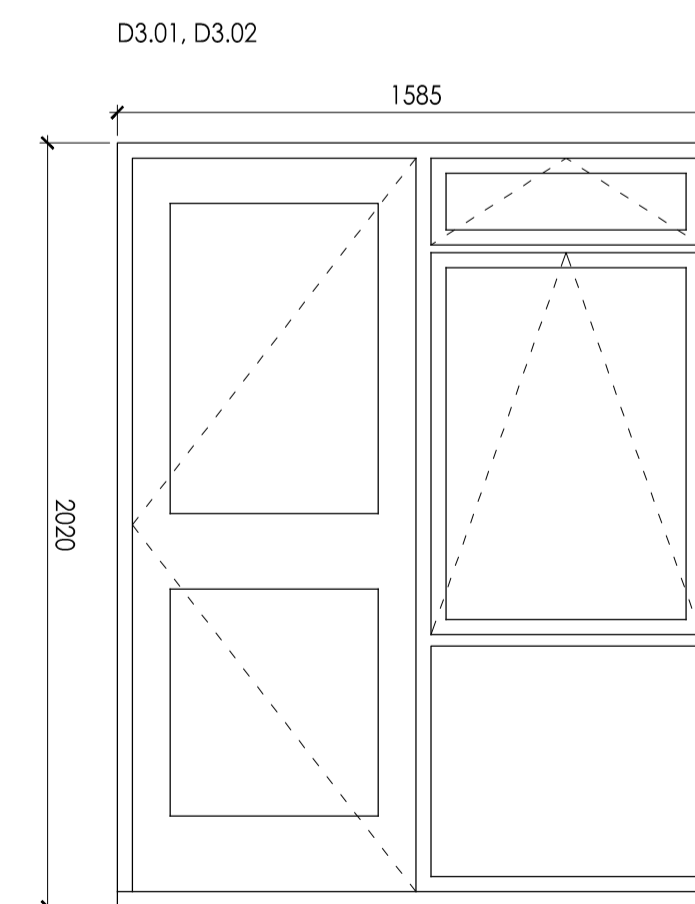
TOTAL 1NO.
TO REMAIN AS EXISTING.



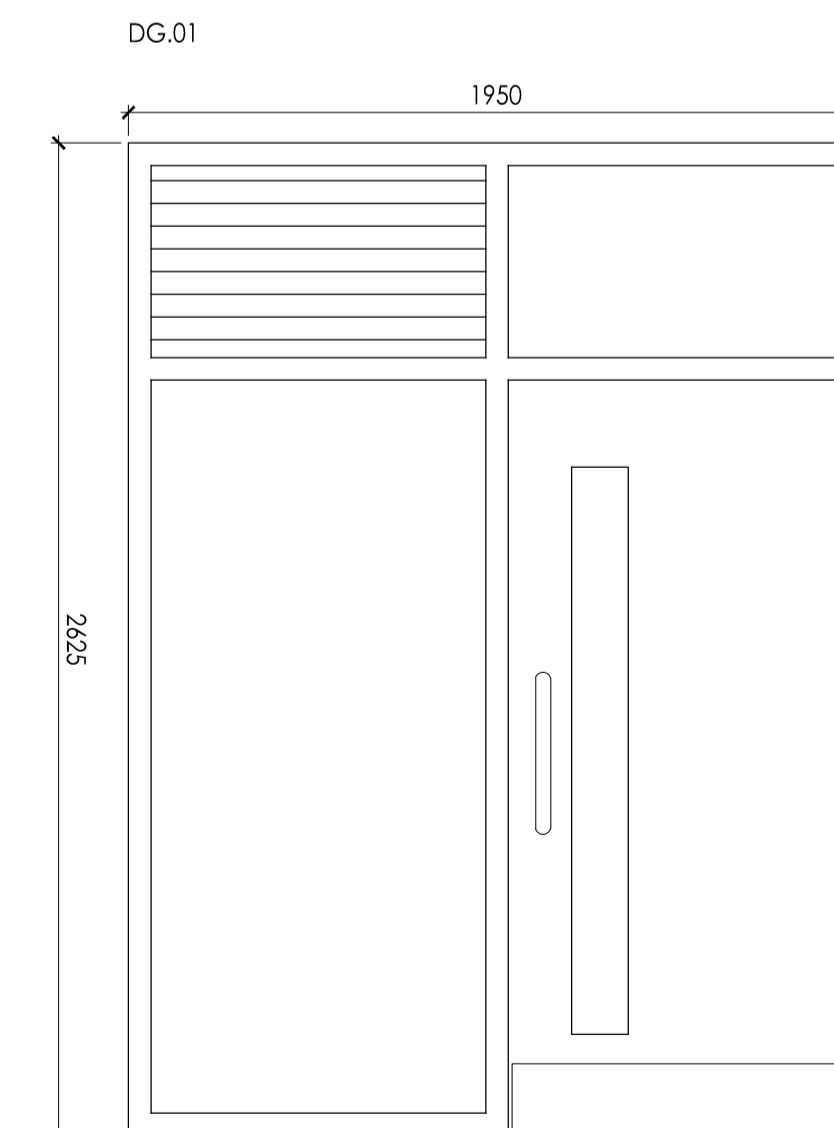
TOTAL 2NO.
TO REMAIN AS EXISTING.



TOTAL 2NO.
PLEASE REFER TO ELEVATIONS FOR HANDLING.



TOTAL 2NO.
PLEASE REFER TO ELEVATIONS FOR HANDLING.



TOTAL 1NO.
TO REMAIN AS EXISTING.

SCALE 1:20 @ A1

Amendments

NOTE: PLEASE REFER TO ELEVATIONS FOR HANDLING.

DO NOT SCALE FOR CONSTRUCTION



STUDIOS 1 & 2
OLD KINGS HEAD COURT
11 HIGH STREET
DORKING
SURREY RH4 1AR
T 01306 887070
F 01306 876716
admin@bpg.co.uk
www.bpg.co.uk

BUILDING SURVEYING
ARCHITECTURE
PROJECT MANAGEMENT
QUANTITY SURVEYING

PROJECT
44 A-D SHORTS GARDENS

CLIENT
ORIGIN HOUSING GROUP

DATE
MAY 2016

DRAWN RMC CHECKED CM

SCALE 1:20 @ A1 FOR PLANNING

TITLE
SHORTS GARDENS EXISTING
WINDOW & DOOR SCHEDULE

DRAWING NO. 3839/PL05 REV *