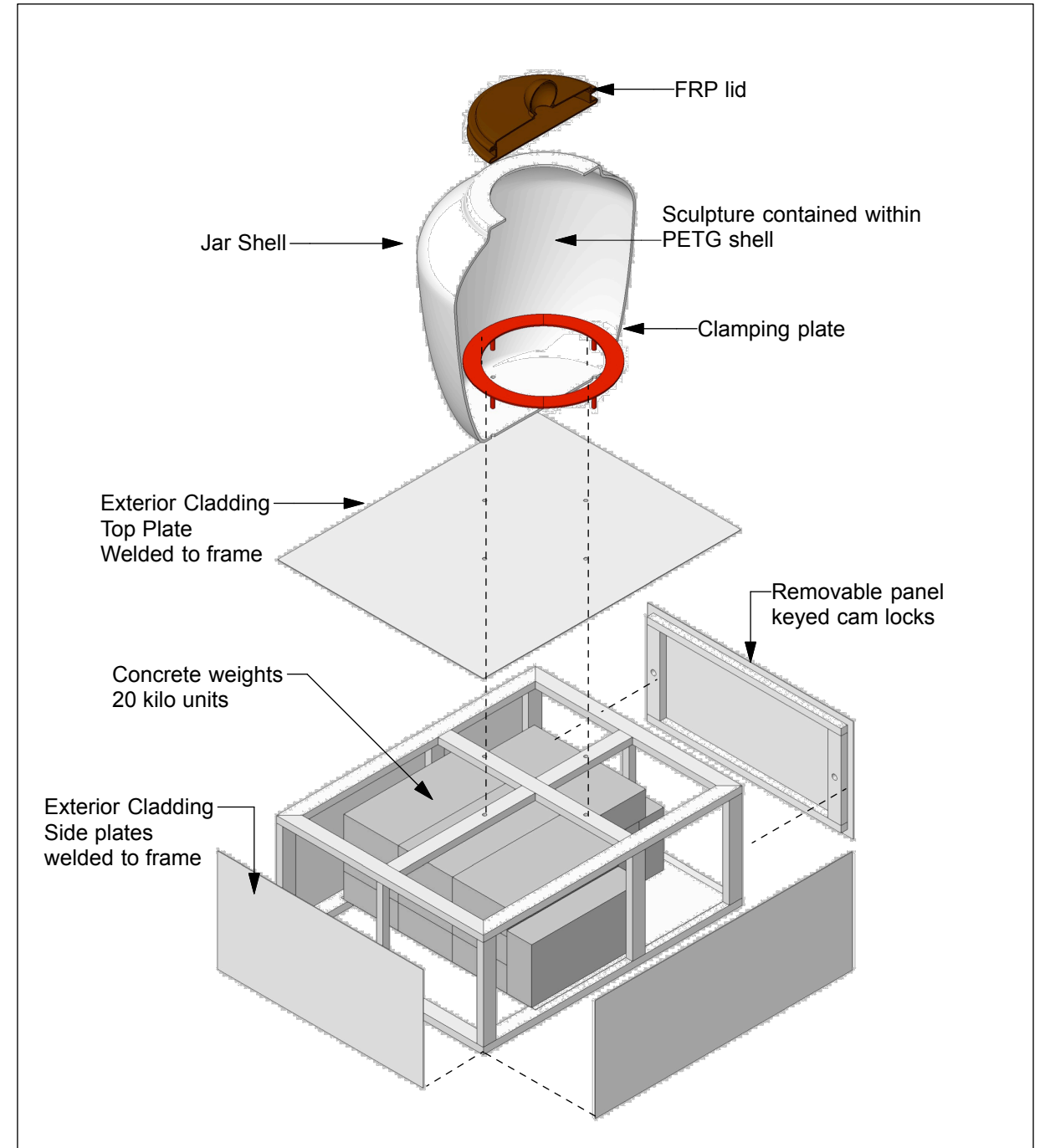
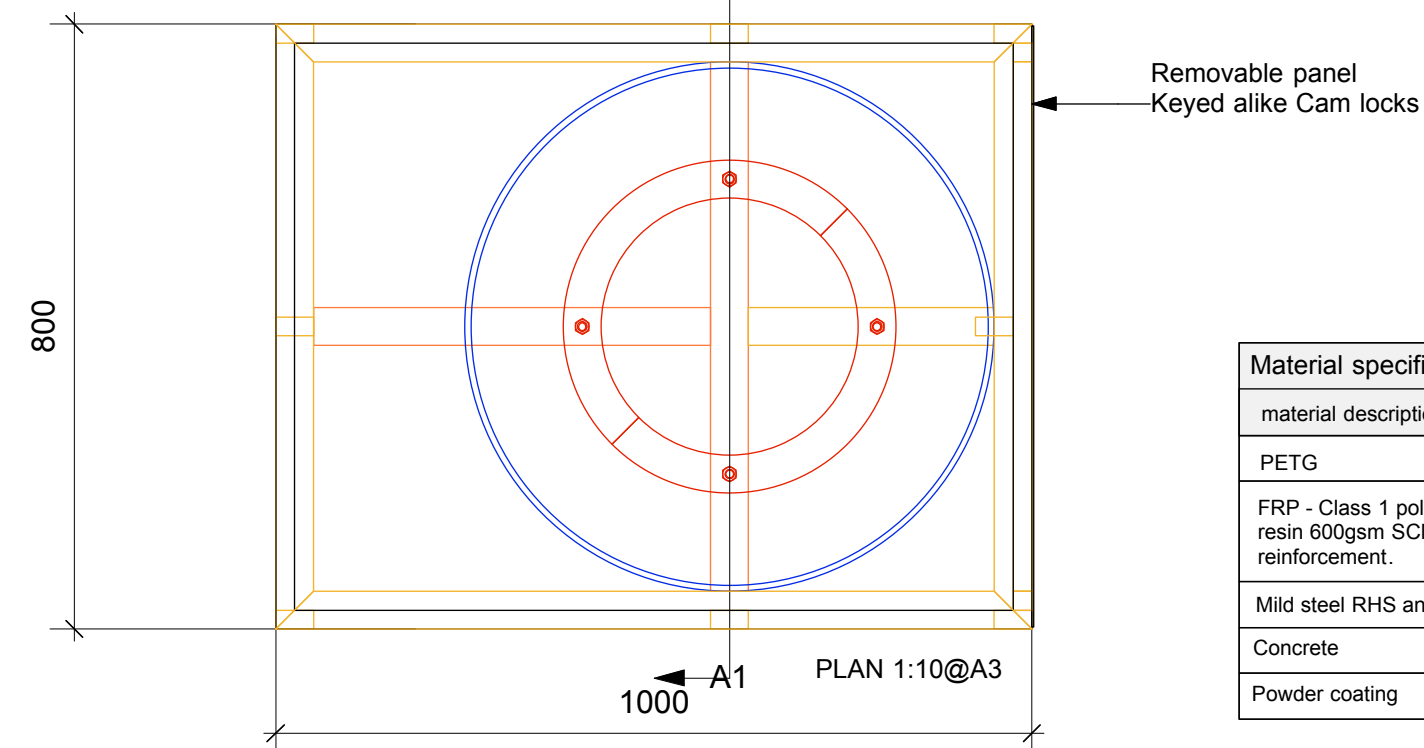
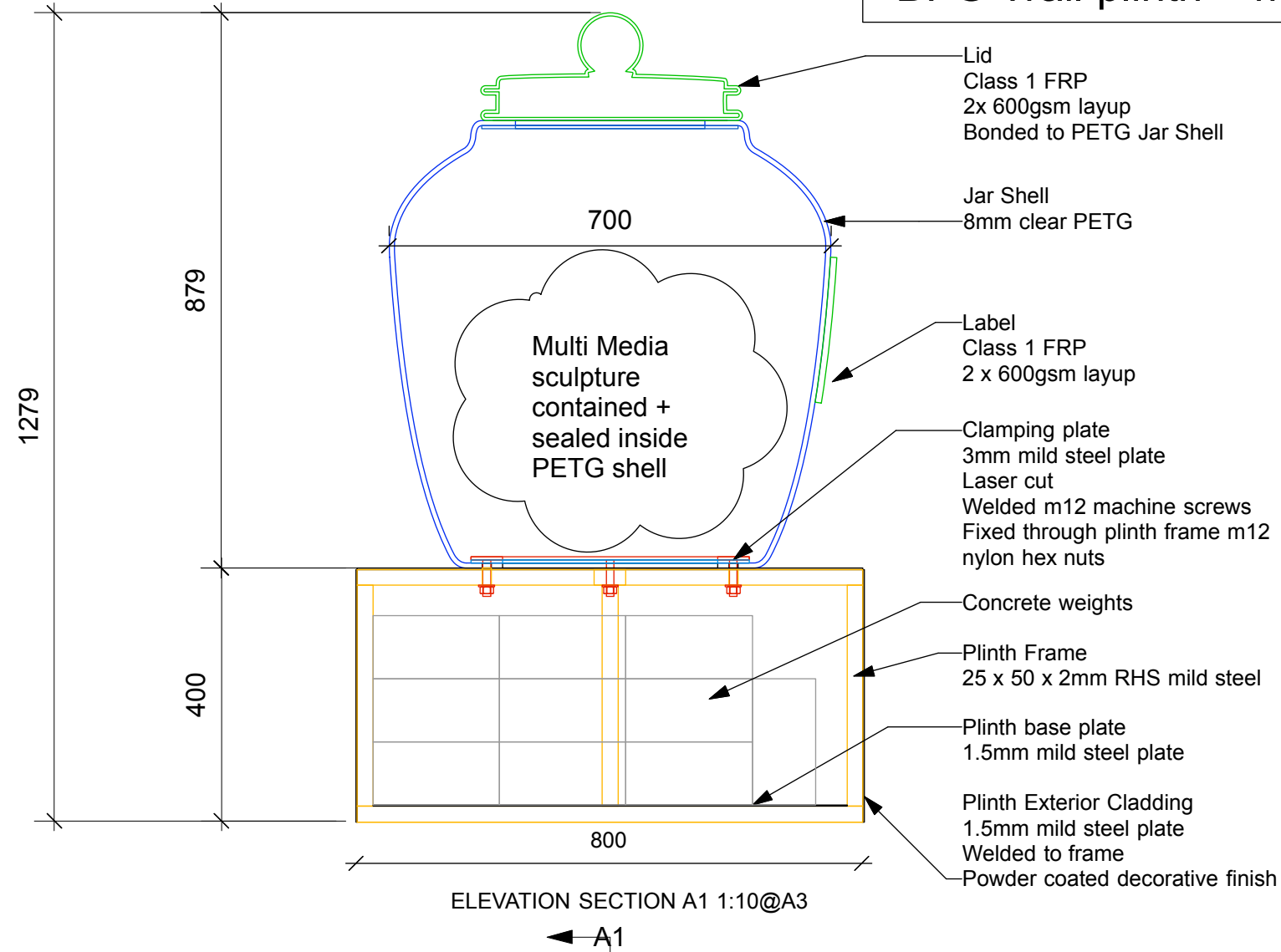


BFG Trail plinth + material specifications + weights proposal

BFG T J1 plinth V2



Material specification		
material description	area + use	reaction to fire classification
PETG	jar shell	B - s1, d0
FRP - Class 1 polyesdter resin 600gsm SCM reinforcement.	Jar Lid + Label	class 1
Mild steel RHS and plate	plinth + clamping plate	noncombustible
Concrete	plinth weights	noncombustible
Powder coating	plinth decorative surface coating	LUL Engineering standard

Weights	
item description	weight in kilograms
PETG Jar + Sculpture	40kg
Metal plinth	54kg
Concrete weights incremental at 20kg units	280kg max
Total max weight	374kg