



CD&B BASEMENTS

**CONSTRUCTION MANAGEMENT PLAN
APPENDIX E**

**Construction Traffic Management Plan
Rev 1**

Flat 1, 31 Heath Drive, London NW3 7SB

**client:
date:
prepared by:**

**Callender Howorth
17th April 2016
J.Puddy**

- 1. Introduction and Site Description**
- 2. Highways & Community Liaison**
- 3. Procedure**
- 4. Spoil Removal**
- 5. Waste Management**
- 6. Appendix**

Figure 1. 1193-110-SITE SET UP PLAN

Figure 2. Site Traffic, Frequency, Type and Dimensions

Figure 3. Licenses & Suspensions

1. Introduction and Site Description

- This document covers the steps that will be taken to reduce potential traffic congestion outside of the property, when there are deliveries to site of materials and when the waste management company removes the spoil.
- The property is sited on Heath Drive in a residential area with two-way traffic.
- The Heath Drive frontage is set back from the pedestrian walkway and residents parking bays are available outside the property.
- Both hoarding and bay suspensions will be necessary and the works will be contained within the property.
- Welfare facilities will be located within the boundary of the property.
- The proposed demolition, excavation and construction works are expected to take 35 weeks with licences and bay suspensions in place for the duration of the works.
- The works will be contained within the boundary of the property and no works involving service upgrades to the major Utilities are planned and as such disruption to the public right of way will be kept to a minimum.

2. Highways and Community Liaison

- Prior to commencement onsite the Contractor will undertake to notify by letter all local residents within 500m of the site in either direction and on both sides of Heath Drive, this letter will contain details of the anticipated duration of the project, the agreed working hours of the site and the contact details of Head Office, the Supervisory Staff and Health and Safety Officers.
- The Site Compound and Hoarding will also display the above information in addition to the standard typical information required by the Local Authority.
- No service reconnections are planned so no disruption or abnormal use of the highway is expected; if this should change then our administrative team will liaise with the Highways Enforcement Officer prior to the commencement of works.
- Prior to Licences and Suspensions being applied for the Contractor will arrange to meet onsite with the local Highways Enforcement Officer to discuss the proposal and ascertain any planned maintenance work.
- The site working hours will not exceed the Local Authority regulations and will be carried out between 8.00 am - 17.00 pm Mon - Fri and 9.00am - 13.00pm on Saturdays, no work will be carried out on Public Holidays or Sundays.
- Safe Pedestrian access will be maintained at all times and the public right of way will be regularly cleaned down and inspected for hazards with particular attention given to vulnerable users of the public right of way.
- Clear signage and good lighting for pedestrians will be in place during the works and site operatives will be under standing instruction to maintain courteous relations and to be helpful to neighbours and passers by at all times.
- If the site requirements should change then a comprehensive review of this document will be carried out in consultation with the Highways Enforcement team and agreed alterations will be implemented as necessary. If our works should cause complaint these will be handled directly through our Office, contact details will be clearly displayed on the Site Hoarding and an ongoing process of community liaison will be maintained under the Considerate Contractors Scheme.

NB: At this time we are unaware of any developments that affect this Plan however the Site Manager will be instructed to monitor local notifications of other works and advise the office accordingly.

3. Procedure - Delivery of Materials and Plant

- Materials will be delivered to site by numerous sub contractor suppliers. Delivery drivers will park their vehicles outside the site prior to offloading materials into the loading bay and will be required to notify the Site Manager at least 15 minutes before arrival. This will be located outside the property for the duration of the works. No temporary holding bay will be required due to the low volume of site traffic expected (see Fig.2)
- All large vehicles will be parked temporarily outside of the property during deliveries. We will restrict all large vehicle deliveries/collections/muck away to between the hours of 10am to 4pm to minimise disruption.
- Delivery vehicles will pull up prior to being directed to the offload area outside the property and traffic management will be employed as necessary. See figure 1 showing proposed offload and skip area.
- Our staff will be made aware of refuse collection times and care will be taken to avoid congestion when scheduling deliveries, Site Traffic will be managed by Banksmen with priority at all times for emergency vehicles
- All materials will be contained within our compound, and materials will only be ordered when required.
- Deliveries will be requested by site staff as follows;
 1. Materials will be ordered through the Head Office Purchasing Department at least 48 hours prior to their requirement onsite. Site foremen will be instructed to ensure orders are to be kept to a minimum to avoid delays in offload and double handling after being stored in our compound.
 2. We use licensed contractors for muck away which will be requested by site staff and scheduled by the Head Office Contracts Administrator a minimum of 24 hours prior to the external skips being filled.
 3. Concrete trucks and pumping plant will be arranged through the Head Office Contracts Administrator a minimum of 24 hours prior to pouring. No late delivery of concrete will be allowed; if late delivery does arrive then it will be sent back to the batching plant.
 4. Delivery drivers will be required to notify the Site Manager at least 15 minutes before arrival.
 5. No stacking of vehicles will be permitted at any time.
- Materials and plant will be unloaded by driver and site staff, temporary traffic management will be supplied by suitably qualified site staff. Materials will then be moved into the working area as soon as practically possible.
- We will typically be using concrete lorries with built on concrete pumps, which will pull up against the end of our skip hoarding enabling the concrete to be pumped into the working area.
- We estimate that there will be a maximum of four vehicles coming to site in any one day. This would typically include two grab lorries, one concrete lorry, and periodically a materials delivery. The estimated dwell time for each lorry would be 15-20 minutes, during which time a banksman would be present with Hi-Visibility wear and PPE. The strict ordering procedures ensure no double drops or lap over with different contractors/suppliers. A table showing expected vehicle traffic is shown by Figure 3. in the appendix of this document.
- Traffic management will consist of temporary signage and cones as required to sufficiently warn all passing traffic of our operations, with safety being the primary concern. We will provide Banksmen to direct traffic when required, and we will position personnel on Heath Drive as necessary and particular care will be taken to manage the safe passage of pedestrians.
- Under no circumstance will HGV traffic be allowed to execute 3 point turns. When HGV's are leaving, they will be required to do so under the supervision of our trained banksman, before exiting the site towards the Finchley Road.
- No Contractors vehicles will be allowed to use the suspended bays for any purpose other than those stated above and vehicle parking will not be permitted.

4 Spoil Removal

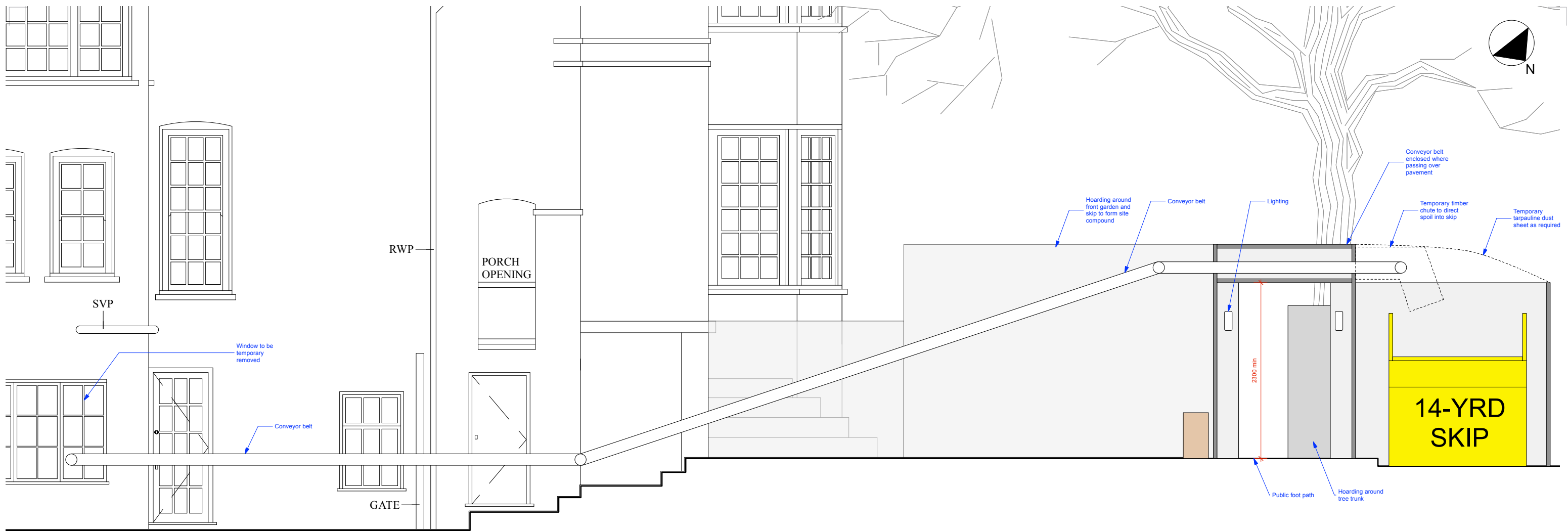
- The system of loading static containers from a conveyor system will be utilised to reduce both the inconvenience to residents and the length of time of spoil wagons on site.
- The spoil will primarily be loaded at basement level onto a conveyor which will be fully protected. The conveyor will then load directly into the skip located on the road. Please refer to site set up drawing Figure 1 in the appendix for further information.
- Protection will be provided where any part of the access extends over the driveway and pedestrian walkway. The skip and external gates will have all the appropriate night lights and safety notices. The conveyor will be adequately supported and secured to the existing building using a temporary scaffold structure.
- Spoil arising from the works will be transported via conveyor to a static container for collection with a grab lorry.
- The lorry will pull up beside the static skip, and will have Banksmen from site to implement traffic control, and pedestrian movements.
- The lorry will remain in position until it is fully loaded, which takes approximately 15-20 minutes to complete.
- Whilst the spoil is being removed members of the site staff are present and will notify other drivers of the approximate duration of the operation.
- If residents need to access or exit the area and our wagons are in the way, every effort will be made by the banksmen to re-position these to enable vehicles to pass.
- The grab lorry driver will be under strict instruction that they are to move immediately should any emergency vehicles need to get past.
- Once the spoil wagons have left the site, Banksmen will immediately ensure that the road is completely clear of debris following the waste collection.
- Periodically during the day and at the end of every working day the road will be thoroughly swept and washed down, to ensure it is kept presentable and safe at all times.

APPENDIX

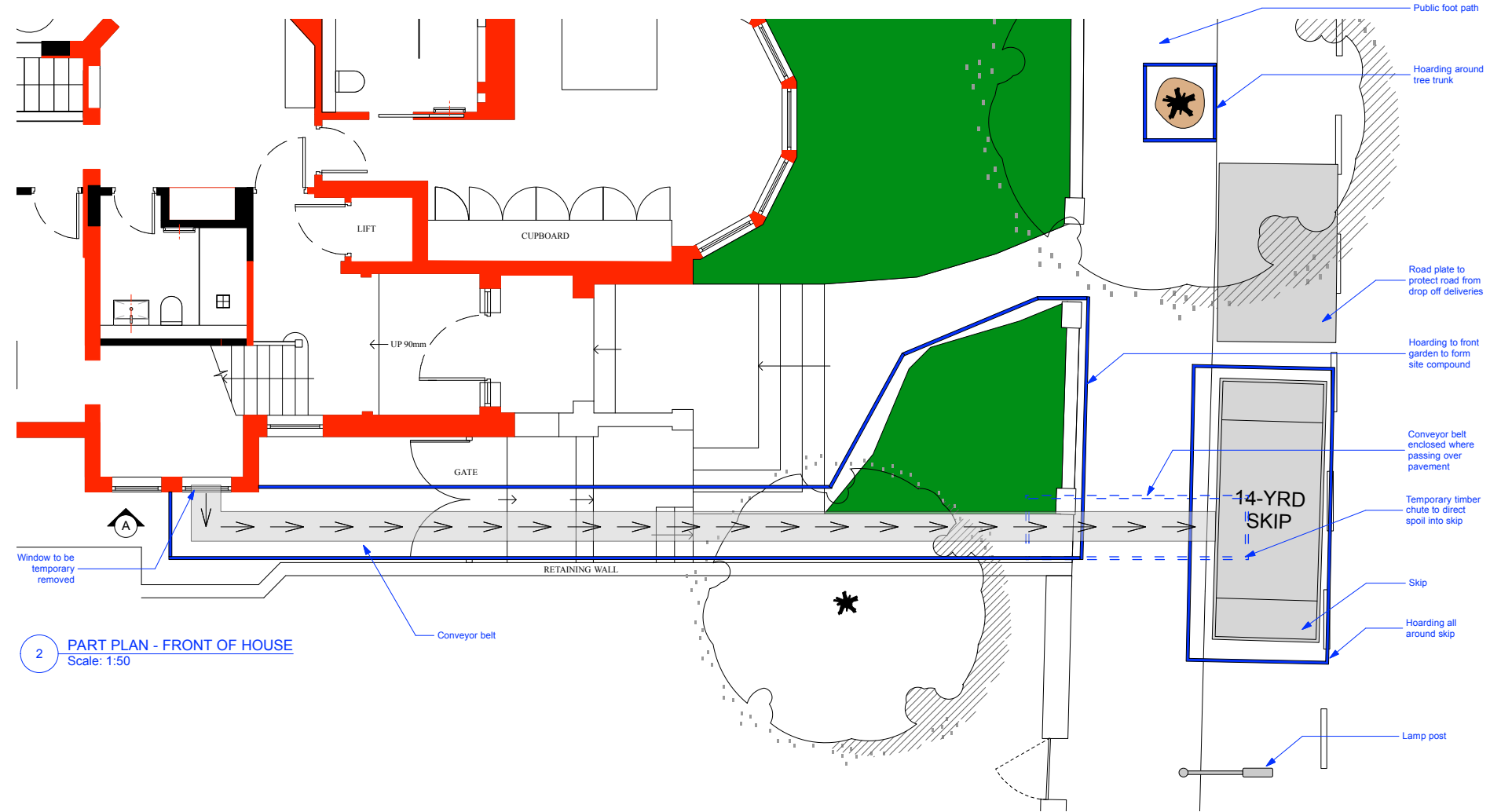
Figure 1. 1193-110-SITE SET UP PLAN

Figure 2. Site Traffic, Frequency, Type and Dimensions

Figure 3. Licenses & Suspensions



1 ELEVATION A
Scale: 1:25



2 PART PLAN - FRONT OF HOUSE
Scale: 1:50

ISSUE:	DATE:	COMMENT:
-	26.05.15	ISSUE FOR INFORMATION

CallenderHoworth		Morelands 5-23 Old Street London EC1V 9HL T: 020 7336 8560 F: 020 7549 2152 W: www.callenderhoworth.com	
Job no.	Job title		
1193	FLAT 1, 31 HEATH DRIVE, LONDON NW3 7SB		
Drawing no.	Drawing title		
110	SITE SET UP		
Scale	Size	Drawn	Revision
1:25 1:50	A3	KL	-

All works to be in accordance with relevant standards, British building codes, and other relevant codes, and with manufacturers recommendations and instructions. All dimensions to be checked on site. Do not scale from this drawing.

Figure 2. Site Traffic, Frequency, Type and Dimensions

As this is a domestic contract, the site traffic will be relatively low. We consider that the likely vehicle movements will be as follows:

Vehicle type/no of visits per day	Dimensions
1 concrete lorry/day maximum	9.0m x 2.5m
1 grab lorry/day maximum	8.6m x 2.45m
1 staff van/day maximum	5.6m x 2.1m
1 material delivery/day maximum	7.5m x 2.45m

Deliveries/skip lorries will be restricted to after 10am and before 4.00pm to avoid rush hour/school times.

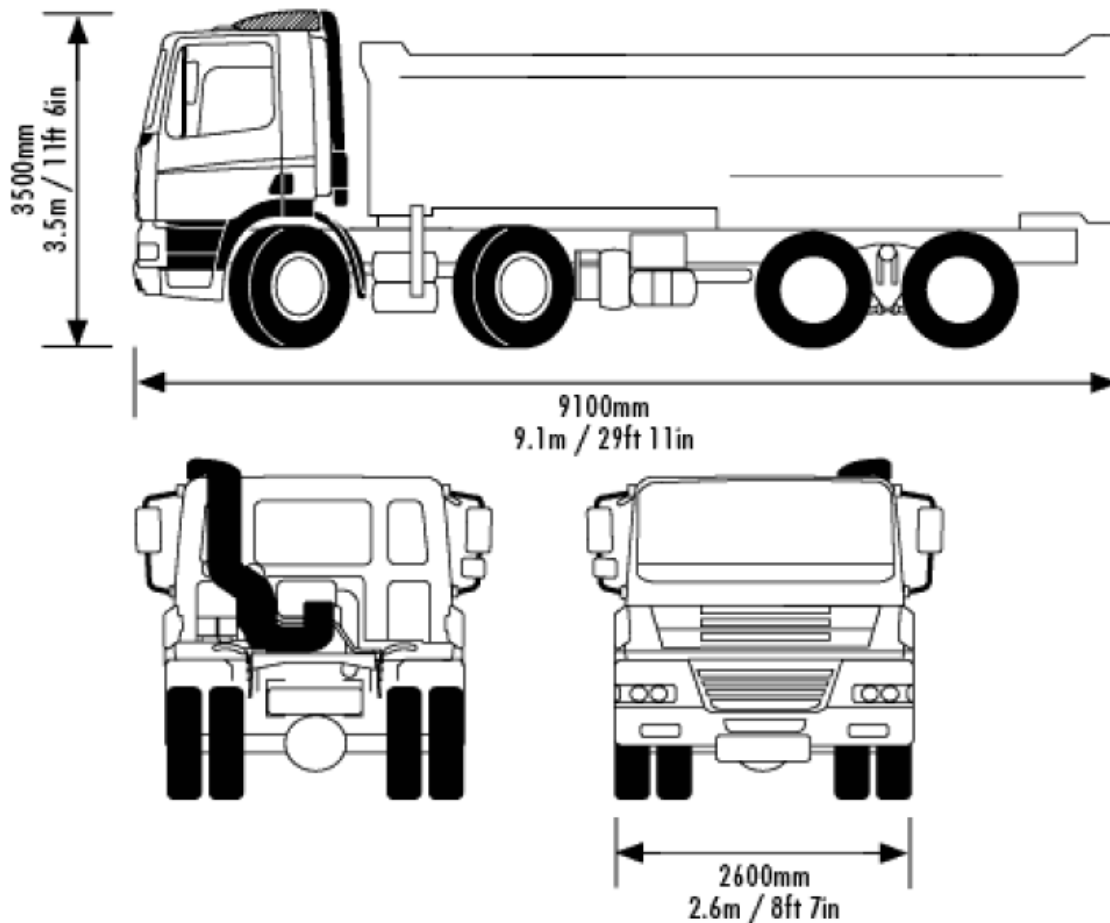


Figure 2. (Cont'd) Concrete Lorry

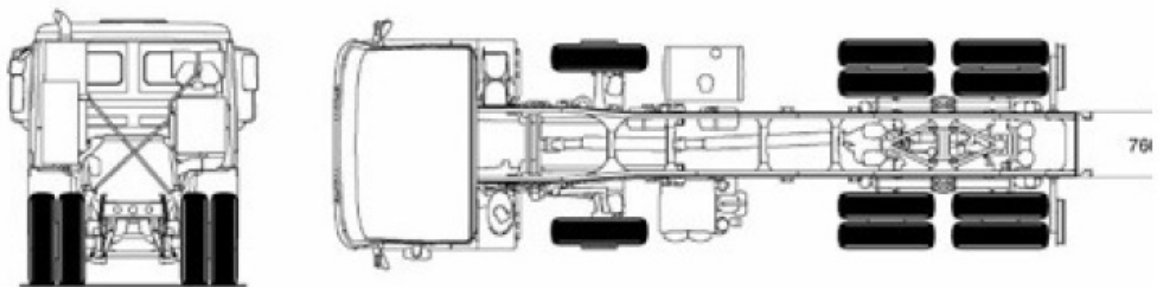
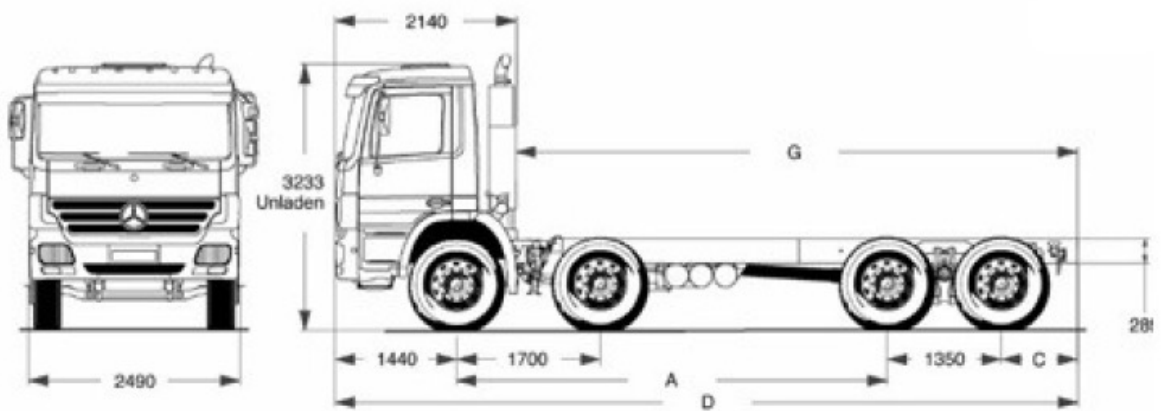
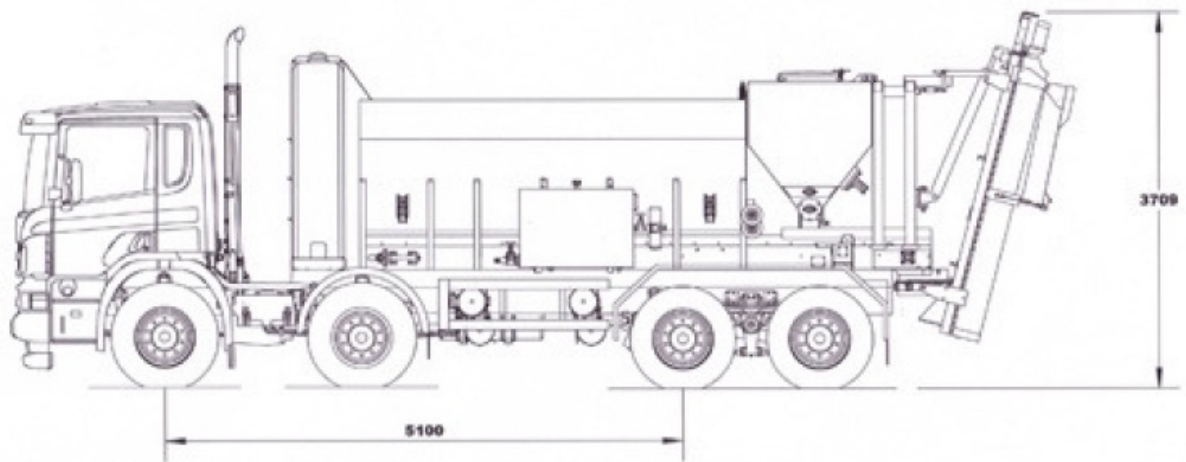


Figure 2 (Cont'd) Delivery Van

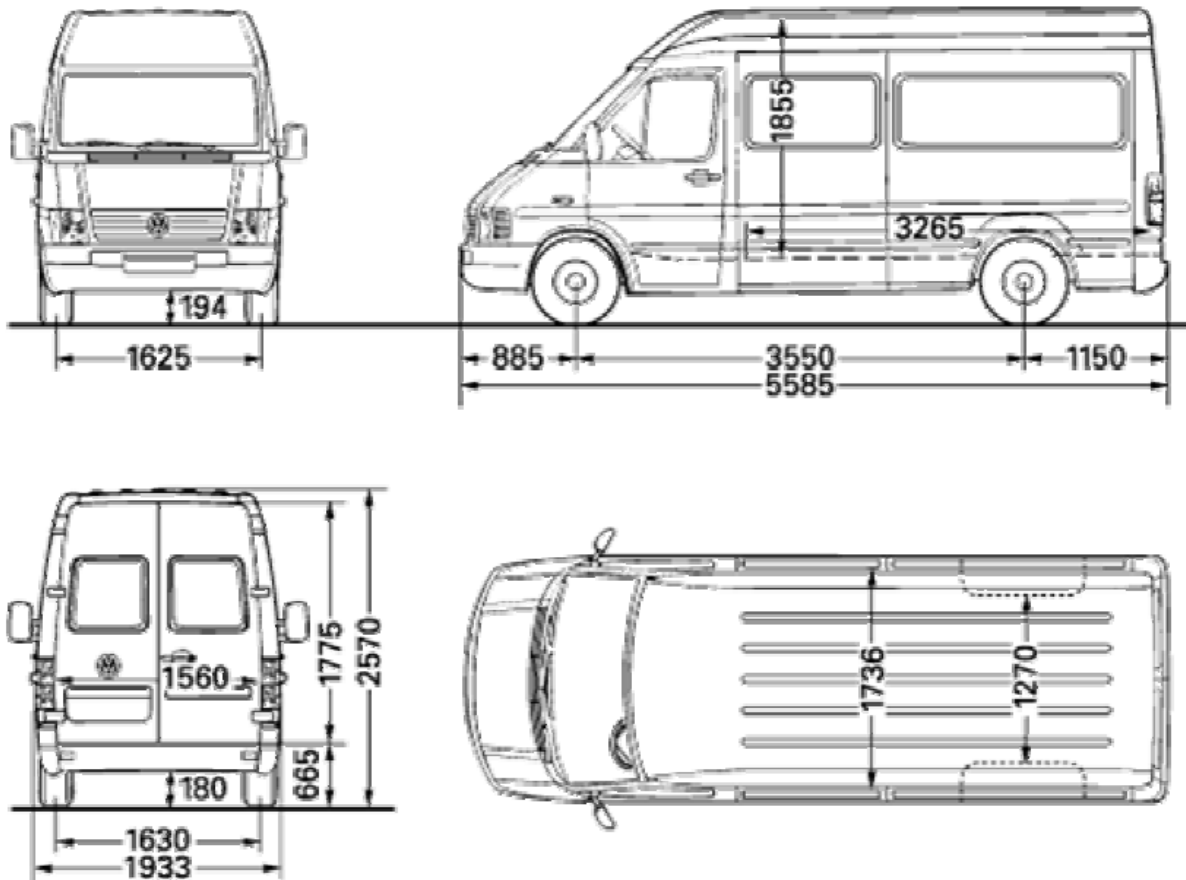


Figure 3. Licences & Suspensions

At this time it is planned that the following licenses and suspensions will be required and will be applied for at least 10 working days before they are needed onsite.

Licence Type	Duration (weeks)	No.
Skip Licence	35	1
Plant/Materials	35	1
Hoarding/Conveyor	35	1
Bay Suspension	35	2

The overall length of the combined materials, skip and site compound will be 9m and will not exceed the frontage of the property.