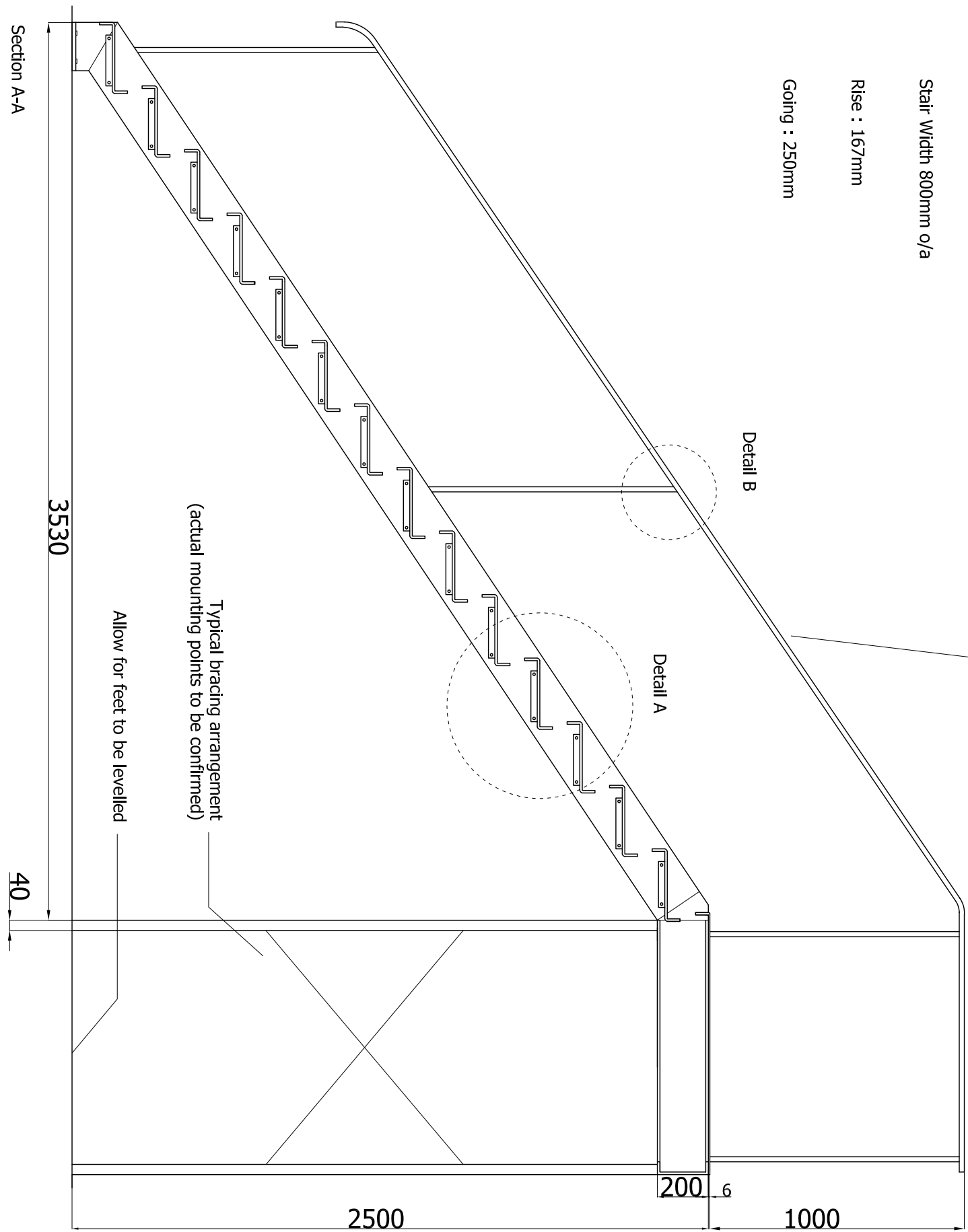
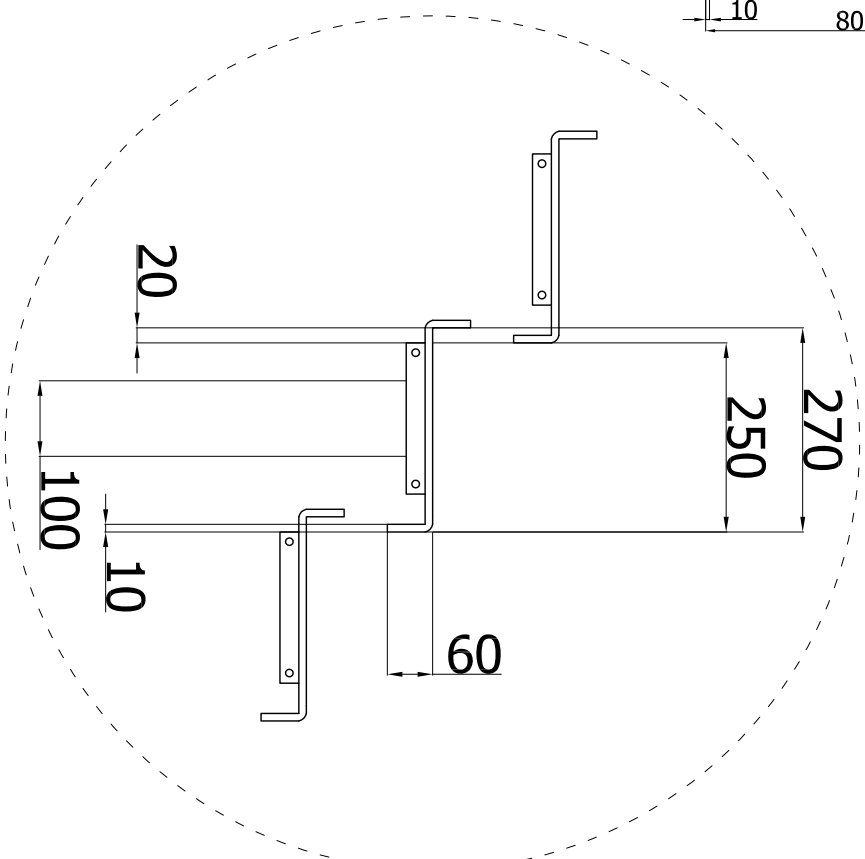


Typical handrail arrangement (actual mounting points on staircase string to be confirmed)

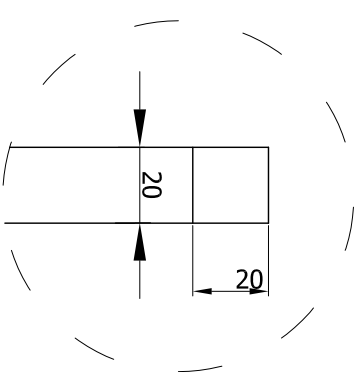
Stair Width 800mm o/a

Rise : 167mm

Golng : 250mm



Detail B (1:2)



Rev	Description	Date	By

Construction drawing

Buchanan Hartley Architects Ltd
 architecture interiors environment
 13 Goswami Gardens London SW1W 0BP
 T: 020 7592 7247
 E: mail@buchananhartley.co.uk

Client: **Nilkanth Estates Ltd.**

Project: **25 Old Gloucester Street WC1N 3AF**

Title: **New stair to external basement**

Scale	Date	Drawn	Checked	Project No	Rev
1:20 @ A3	27/04/2016	BH	MH	C(24) 001	--