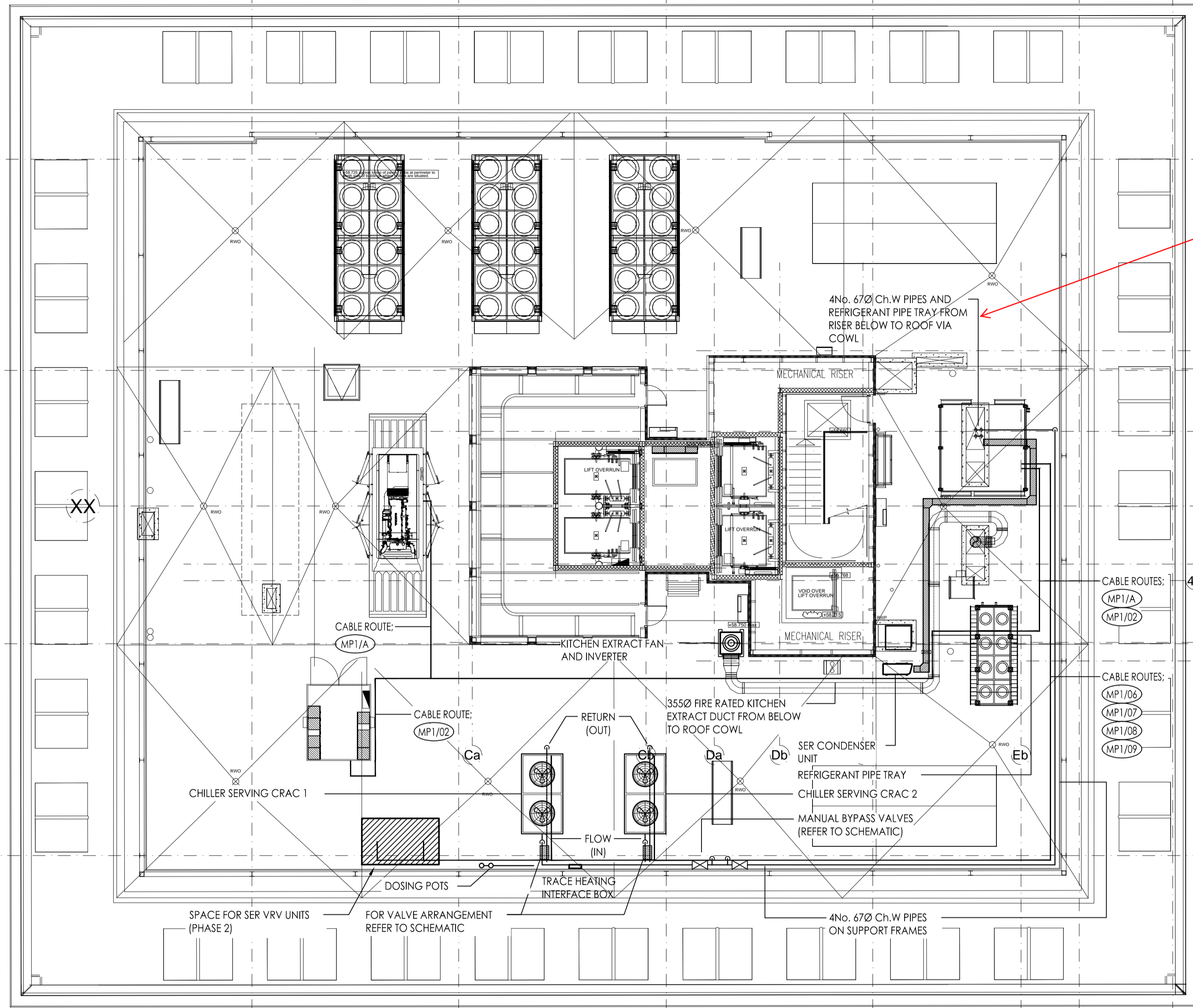
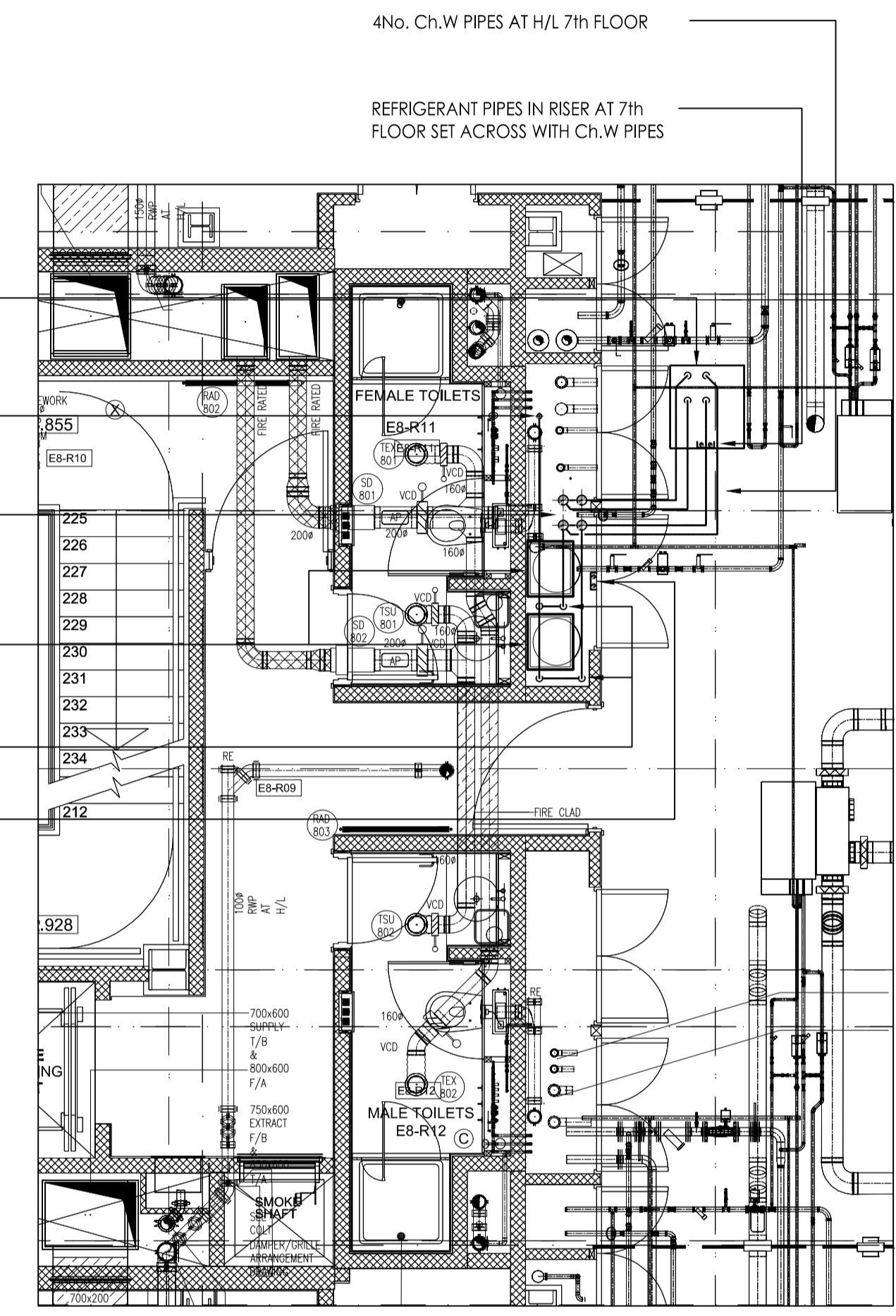


CAD REF: 7000 Jobs 7998 Mischon De Reya - Africa House\Gratte\Record Drawing\Phase 2\Mechanical\GB5894-M-XX-01_RD - Roof & Part Level 8 East Mechanical & Electrical Services Layout.dwg NBRADING

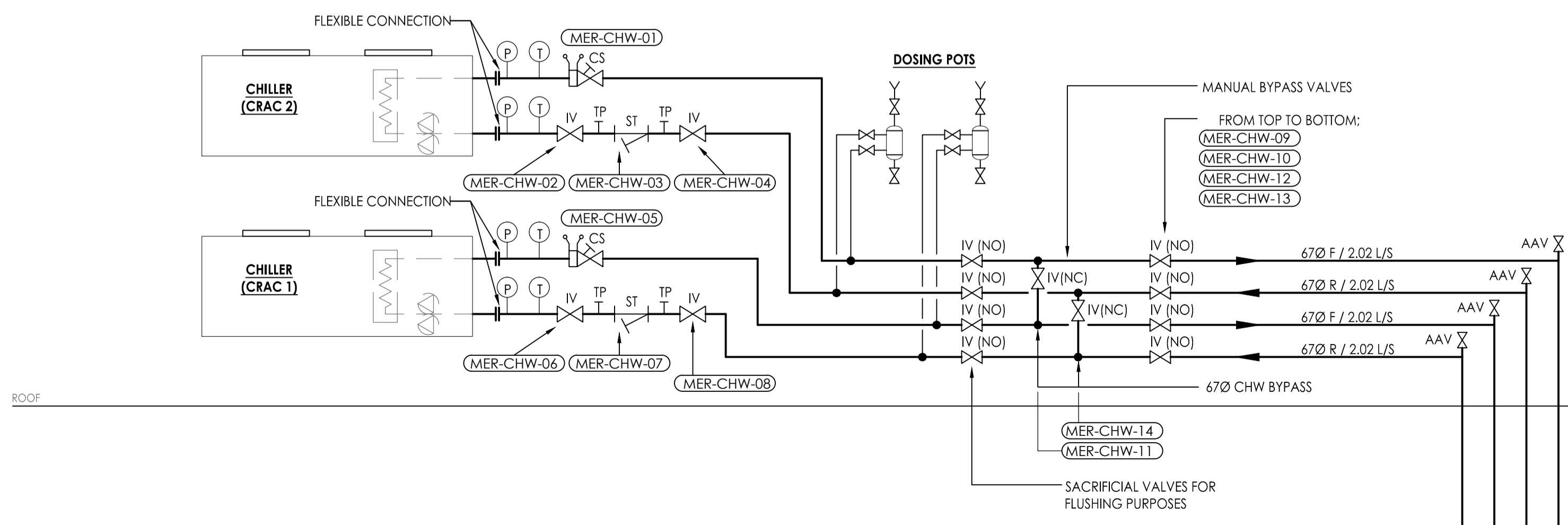


ROOF LEVEL
SCALE 1:100

VBand Antenna
Location - co-
hosted with MdR
Satellite Dish and
DT Aerial



LEVEL 8 SHOWING PRESSURISATION SETS IN RISER
SCALE 1:50



ROOF PLANT MER COOLING SCHEMATIC
(REFER TO DRG No. GB5844-M-10)

RECORD DRAWING

This document is based on an original copyright work created by a company in the Gratte group of companies (Gratte) or a third party (Others) showing the layout of the relevant part of the building and/or the schematics of the fixtures and/or fittings in the relevant part of the building or to be affixed and/or fitted to that part. All property rights including copyright in a drawing created by Gratte or technical additions to that drawing made by Gratte are owned by Gratte. The contents of this document may not be reproduced, copied, stored in any retrieval system in any form or passed to any third party without the express written consent of both Gratte and the relevant Others. Gratte does not accept any responsibility or liability for any errors in the dimensions or scale shown in the drawing.

Client
MISHCON-DE-REYA

Job
AFRICA HOUSE

Description
**ROOF AND PART LEVEL 8 (EAST)
MECHANICAL & ELECTRICAL
SERVICES LAYOUT**

Drg. No. GB5894-M-XX-01	Rev RD	Scale AS SHOWN @ A1
Date SEPT '15	Drawn NB	Checked KT



GRATTE BROTHERS LIMITED
2 Regents Wharf
All Saints Street
London N1 9RL
Tel: 020 7837 6433
Fax: 020 7520 8100
email: cad@gratte.com

Building services
engineers