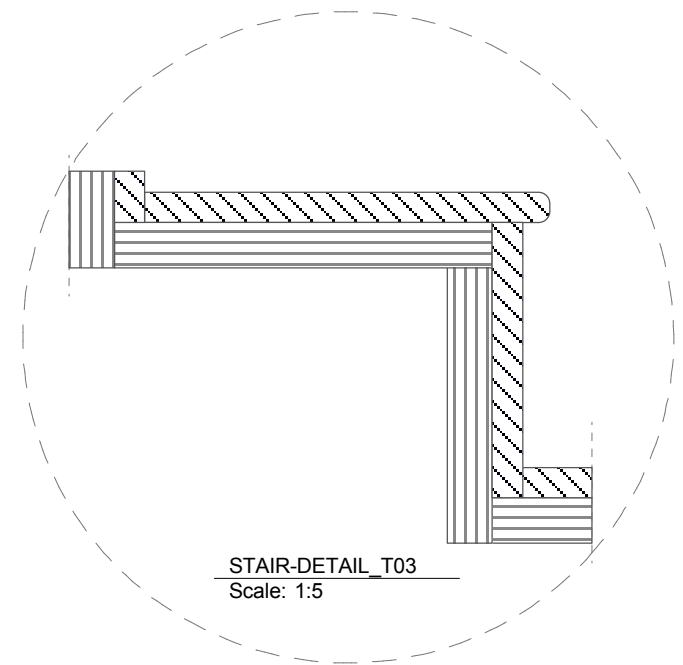
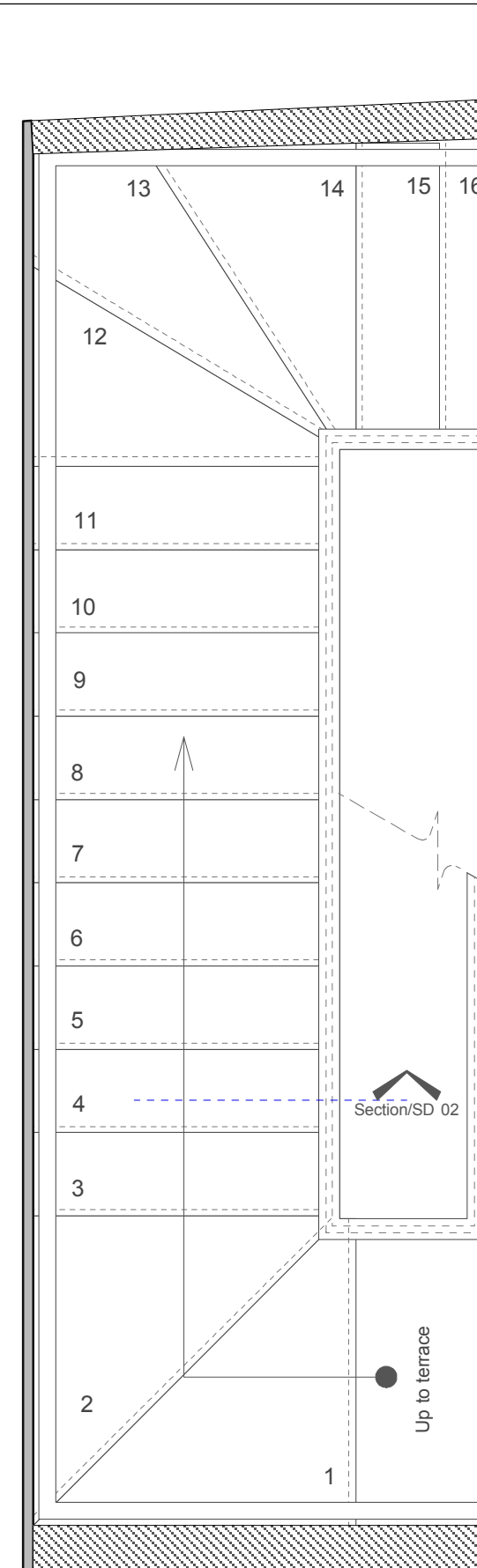


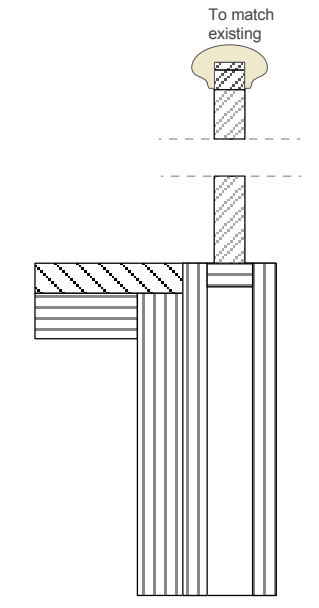
PROPOSED BALUSTRADE DETAILS\_PROPOSED BALUSTRADE DETAILS TO TERRACE  
Scale: 1:20



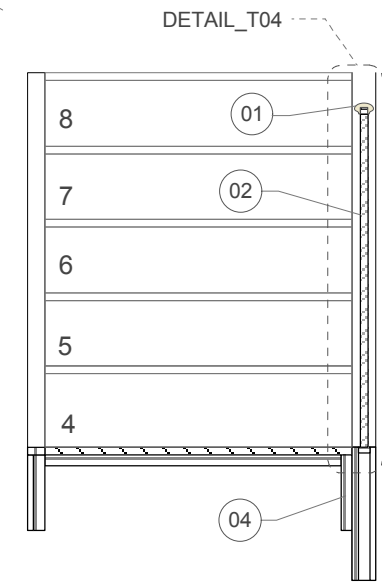
STAIR-DETAIL\_T03  
Scale: 1:5



STAIR FLOOR PLAN-THIRD FLOOR TO TERRACE  
Scale: 1:20



STAIR-DETAIL\_T04  
Scale: 1:5



STAIR-SECTION SD-02  
Scale: 1:20

**NOTES:**  
The drawing must not be scaled and all dimensions are to be checked on site before work is commenced.  
The drawing is to be read in conjunction with all other Structural Engineers and Service Engineers drawings and written specifications.

**SPECIFICATIONS:**  
Key To Materials And Finishes  
1.-Wooden Handrail  
2.-Painted Baluster  
3.-Carpet finish  
4.-Timber construction

REVISION		
N	DATE	NOTES

**PROJECT:**  
25 Chester Terrace

**DRAWING:**  
PROPOSED BALUSTRADE DETAILS TO TERRACE

**CLIENT:**  
PRIVATE CLIENT

**LOCATION:**  
25 Chester Terrace, NW1 4ND

**DRAWING N:**  
P-1027-GL807

- PRELIMINARY
- PLANNING APPROVAL
- CONSTRUCTION
- DESIGN INFORMATION
- TENDER
- AS BUILT

<b>DATE:</b> 17.03.16	<b>REV:</b>	<b>SCALE:</b> @A3
--------------------------	-------------	----------------------

**PROJECT DESIGNER:**

120 Fortune Green Road / NW6 1DN / London  
DESIGNER: Marco Ferrara-Bardile  
marco@rmfstudio.com  
M. 0797 5644556 - O. 0207 4355008