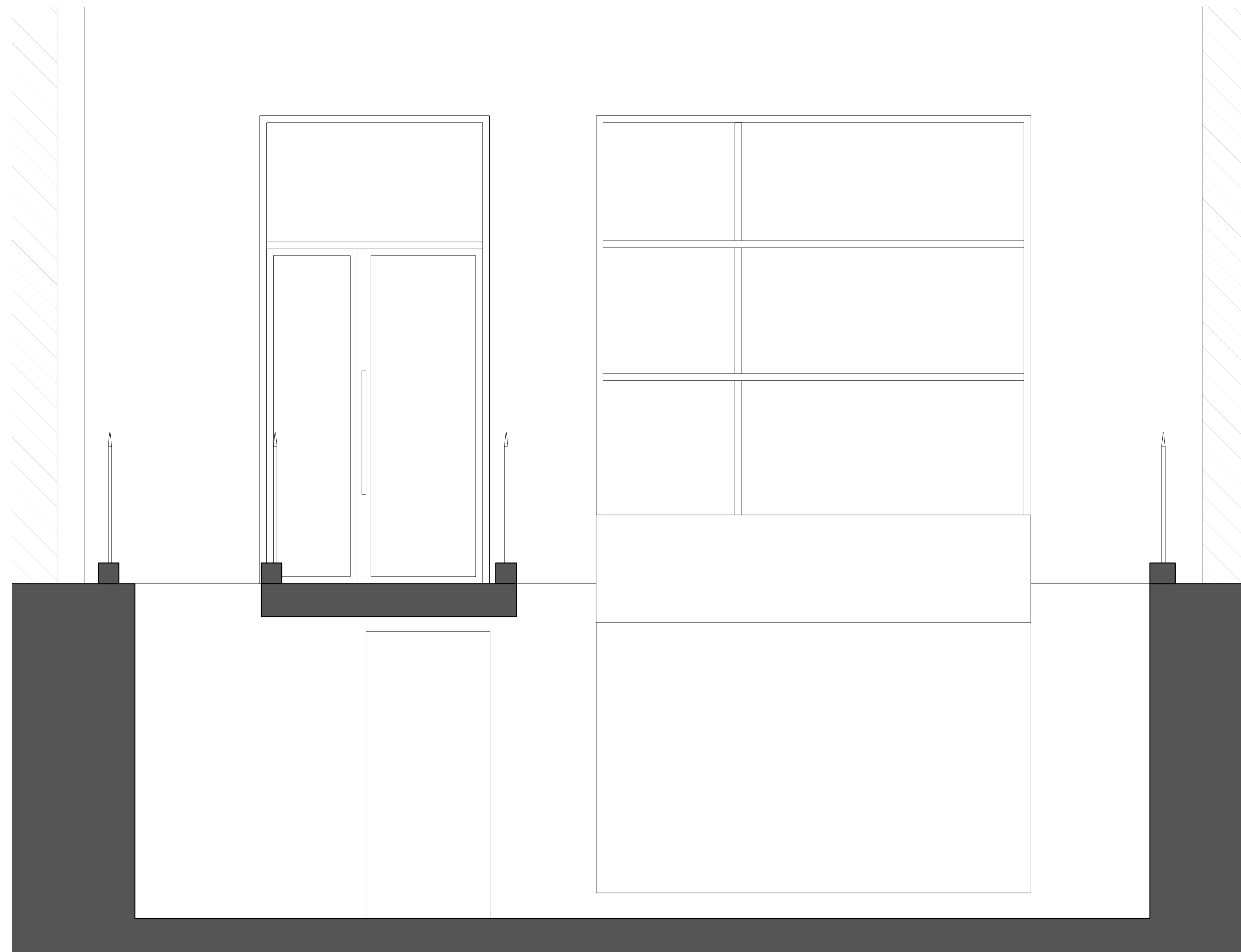


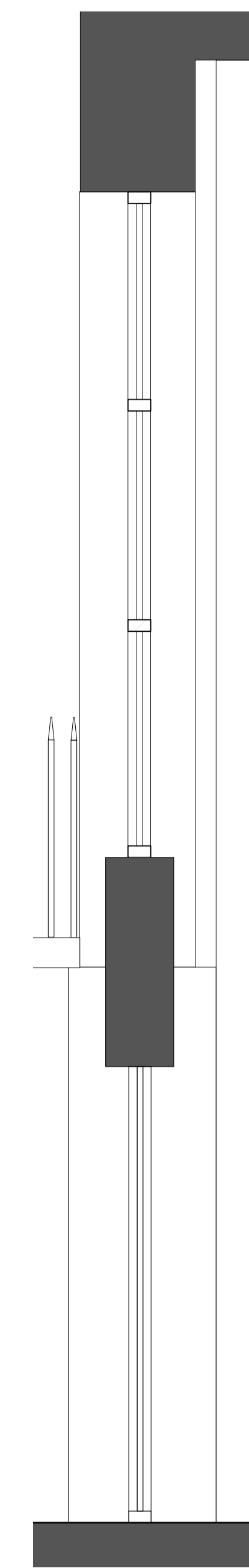
SOFTROOM_

Softroom
 3 Murphy Street London SE1 7FP
 www.softroom.com
 softroom@softroom.com
 +44 (0) 203 597 6888
 Verify all dimensions on site. Do not Scale

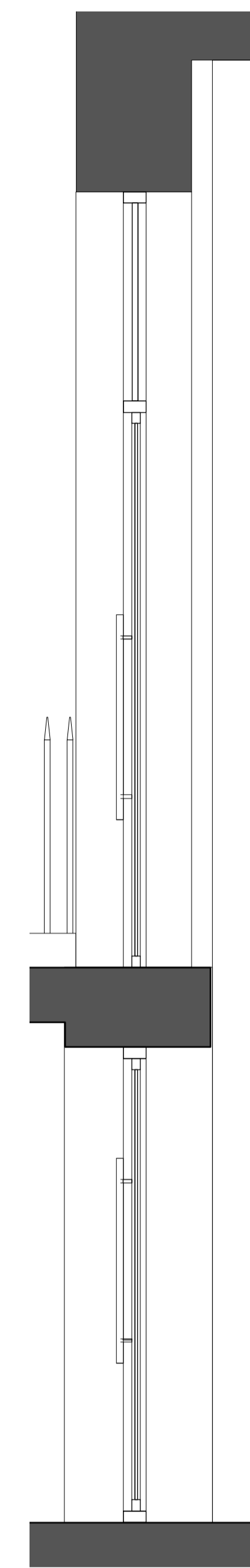
General Notes



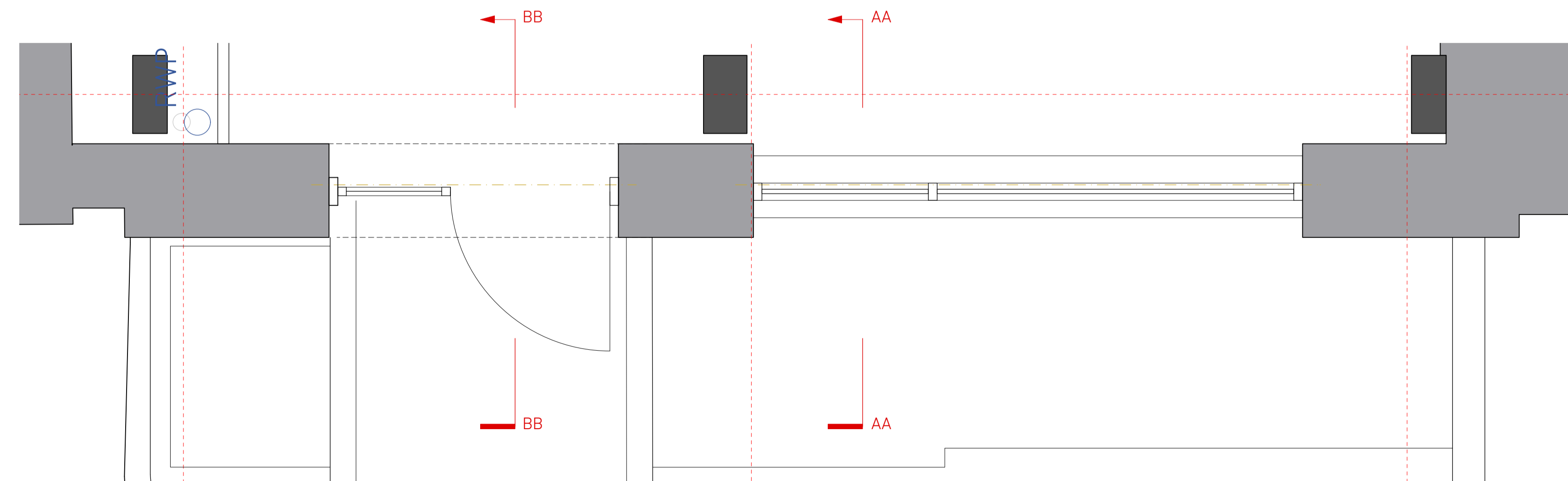
1 EXISTING SHOPFRONT ELEVATION
 Scale: 1:20



3 EXISTING SHOPFRONT SECTION AA
 Scale: 1:20

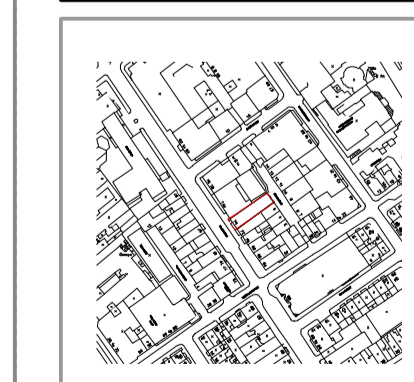


4 EXISTING SHOPFRONT SECTION BB
 Scale: 1:20



2 EXISTING SHOPFRONT PLAN
 Scale: 1:20

REVISION	DATE	NOTES



FOR	WSH RESTAURANTS LTD	
PROJECT	74 CHARLOTTE STREET	PROJECT NO. 1536
STATUS	PLANNING	
SCALE	1:20 @A1	DATE 05.16
TITLE	EXISTING SHOPFRONT PLAN, ELEVATION & SECTIONS	
DRAWING NO.	(PL)08	REVISION -