

- NOTES:**
- . REFER TO (68) SERIES DRAWINGS FOR ALL FIRE RATINGS.
  - . REFER TO SCHEDULE
  - . HANDING VARIES
  - . ALL COLOURS TBC
  - . LOUVRE FREE AREA TO M+E SPECIFICATION
  - . ALL SIGNAGE TBC
  - . FOR SECURITY INFORMATION PLEASE REFER TO SECURITY CONSULTANT SPECIFICATION
  - . REFER TO ELEVATIONS FOR IRONMONGERY
  - . ALL STRUCTURAL OPENINGS TBC WITH SITE LEVELS
  - . SBD INFO TO BE CONFIRMED

T02 18/12/15 ISSUED FOR ER's

Project Name: CAMDEN LOCK VILLAGE

Date: 26.06.2015

Drawing Number: WX\_(31)\_9030

Rev: T02

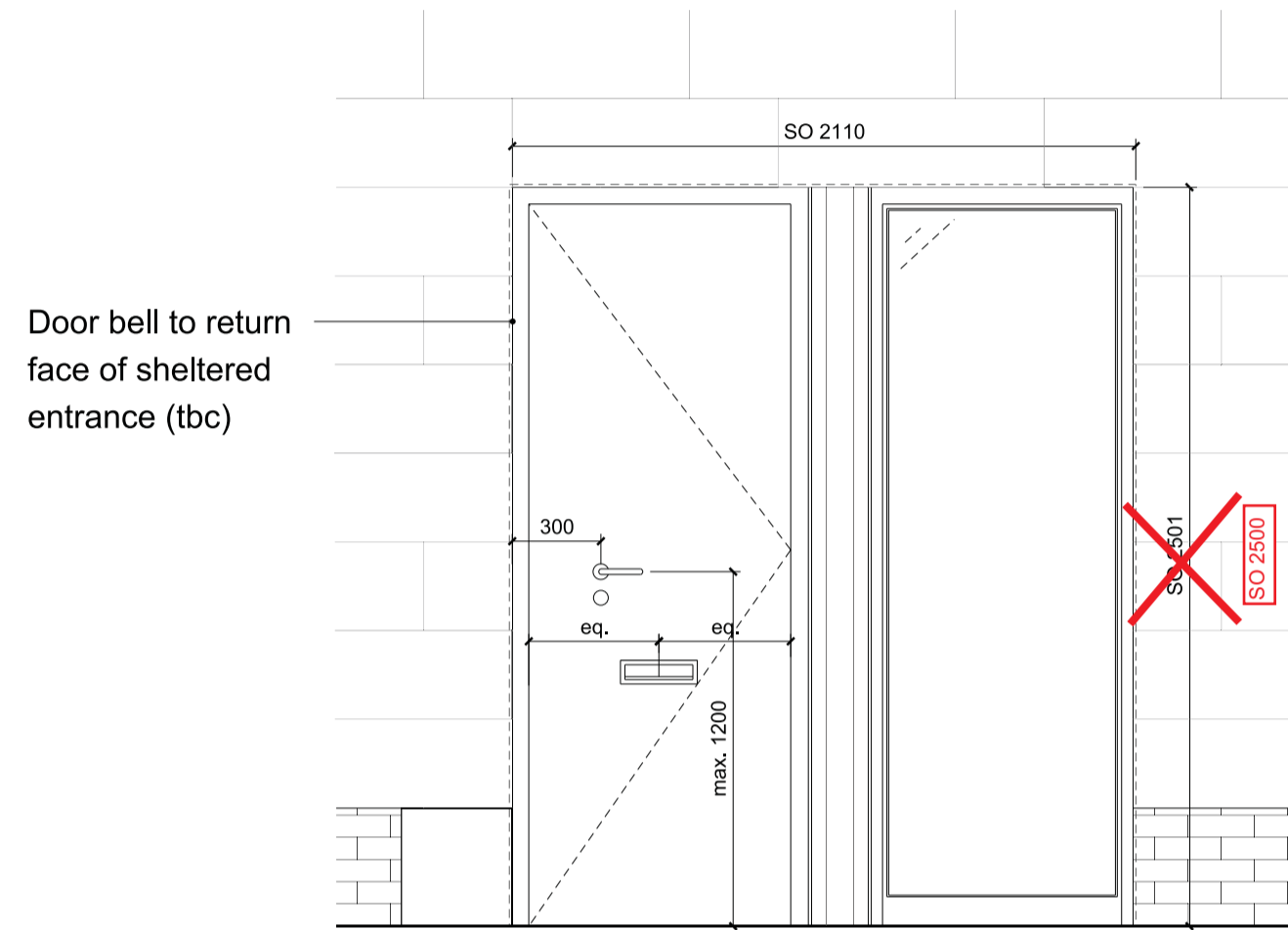
Status: ER ISSUE

1:25@A1

## WX EXTERNAL DOOR TYPES SUMMARY

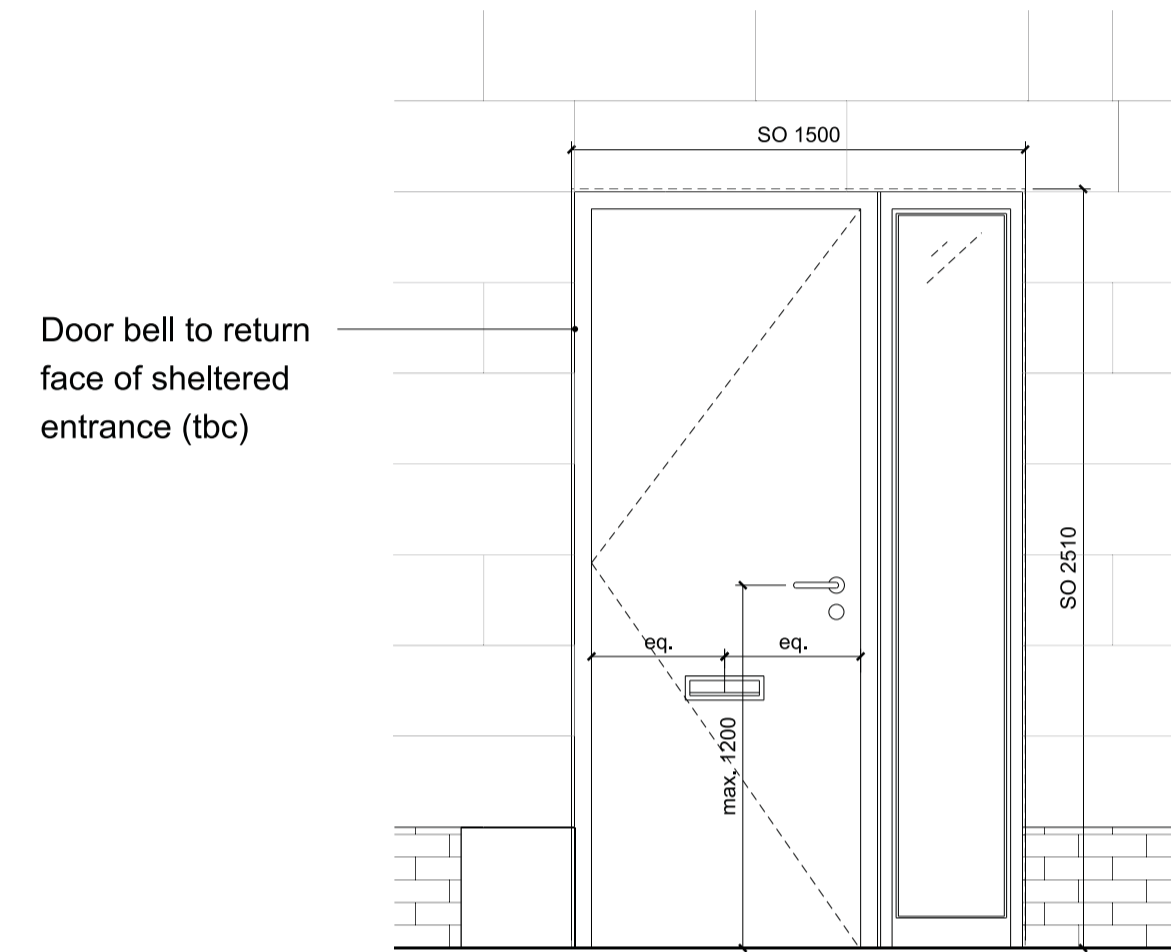
DOOR TYPE WX.01

Residential front door



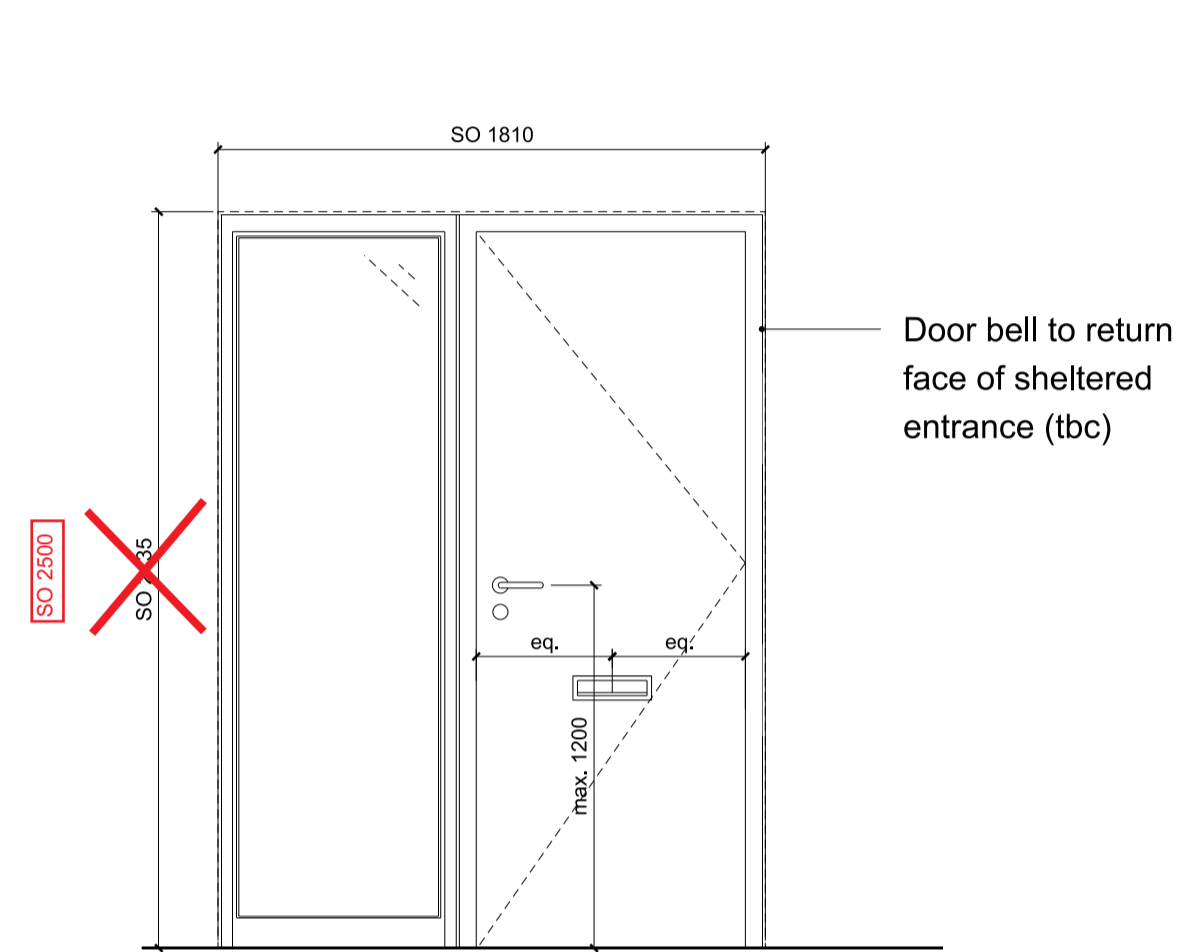
DOOR TYPE WX.02

Residential front door



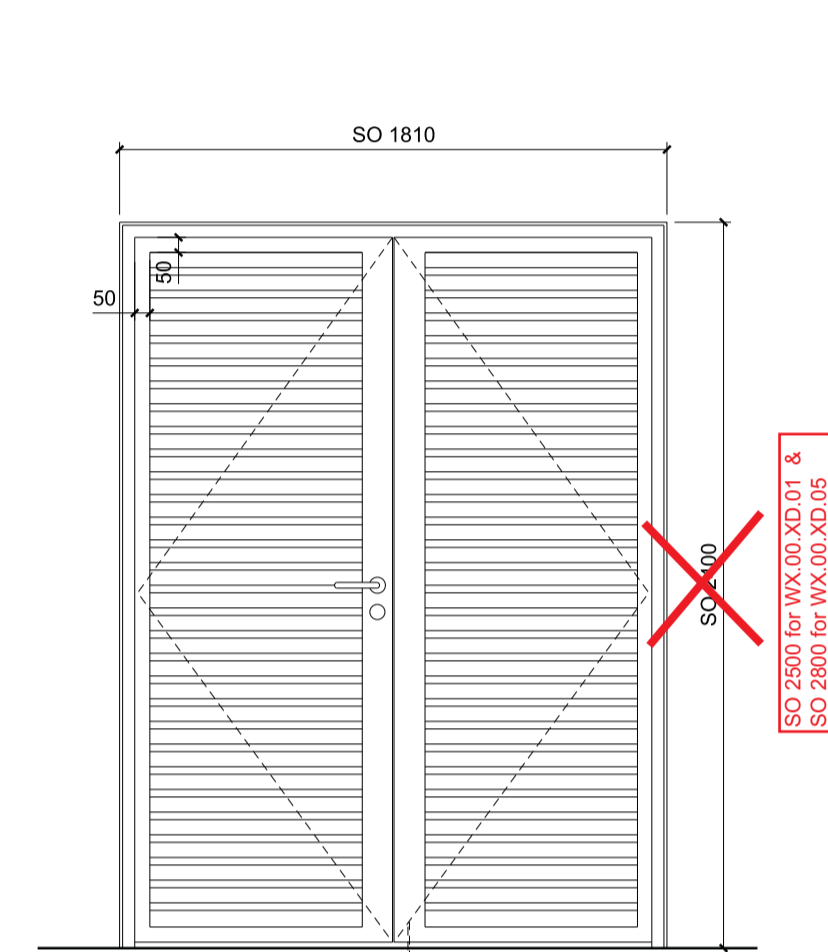
DOOR TYPE WX.03

Residential front door

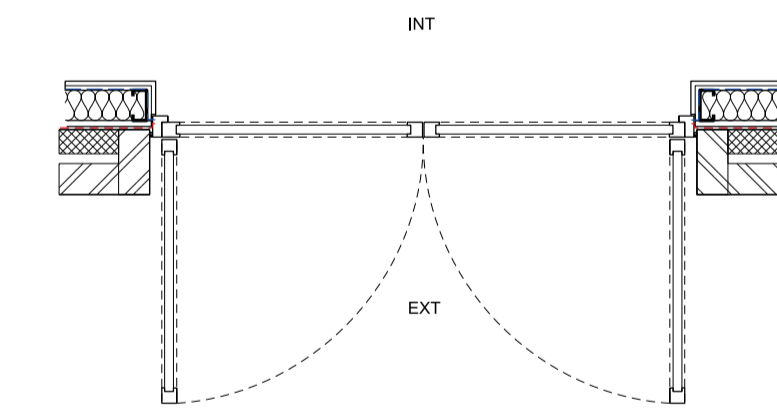
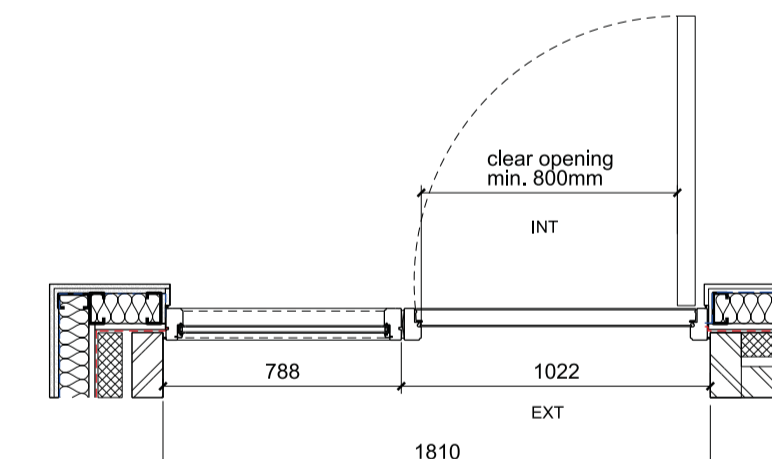
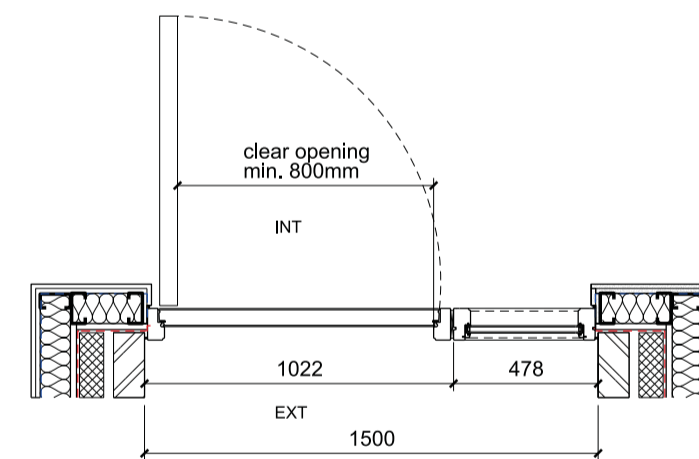
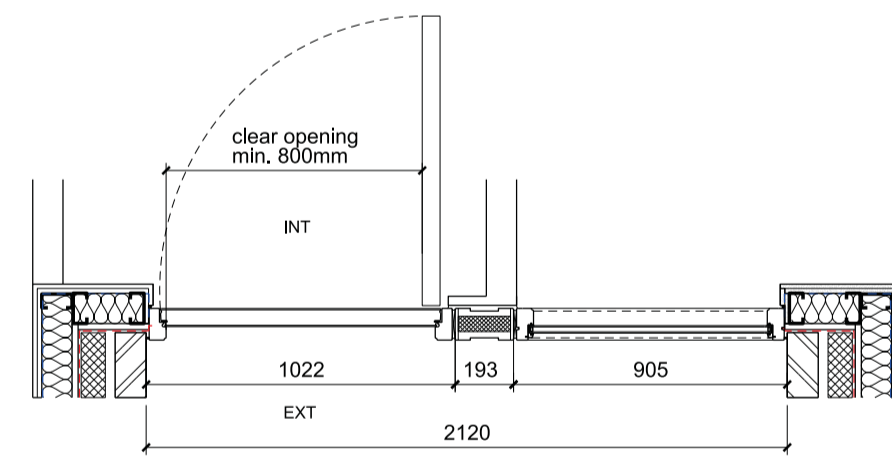


DOOR TYPE WX.04

Plant louvre door



## EXTERNAL ELEVATIONS



## EXAMPLE PLANS

## DESCRIPTION

### NBS L20/271

- . Insulated core hardwood timber, inward opening door
- . Glazed full height unit adjacent.
- . Brushed stainless steel lever handle to both sides.
- . Multipoint locking hardware, to SBD advice - TBC.
- . Stainless steel hinges.
- . Stainless steel letter box.
- . Bell to adjacent wall.

### NBS L20/271

- . Insulated core hardwood timber, inward opening door
- . Glazed full height unit adjacent.
- . Brushed stainless steel lever handle to both sides.
- . Multipoint locking hardware, to SBD advice - TBC.
- . Stainless steel hinges.
- . Stainless steel letter box.
- . Bell to adjacent wall.

### NBS L20/271

- . Insulated core hardwood timber, inward opening door
- . Glazed full height unit adjacent.
- . Brushed stainless steel lever handle to both sides.
- . Multipoint locking hardware, to SBD advice - TBC.
- . Stainless steel hinges.
- . Stainless steel letter box.
- . Bell to adjacent wall.

### NBS L20/282

- . PPC metal louvre double door.
- . Anti-bird/insect mesh provided to rear of louvres.
- . Louvres to free area as specified by m+e Consultant.
- . Brushed stainless steel lever handle on master leaf.
- . Push plate to inside of slave leaf.
- . Floor bolt to slave leaf.
- . Stainless steel hinges.
- . Cylinder locking hardware.