

**NOTES:**  
 . REFER TO (68) SERIES DRAWINGS FOR ALL FIRE RATINGS.  
 . REFER TO SCHEDULE  
 . HANDING VARIES  
 . ALL COLOURS TBC  
 . LOUVRE FREE AREA TO M+E SPECIFICATION  
 . ALL SIGNAGE TBC  
 . FOR SECURITY INFORMATION PLEASE REFER TO SECURITY CONSULTANT SPECIFICATION  
 . REFER TO ELEVATIONS FOR IRONMONGERY  
 . ALL STRUCTURAL OPENINGS TBC WITH SITE LEVELS  
 . SBD INFO TO BE CONFIRMED

Project Name: **CAMDEN LOCK VILLAGE**

Date: **26.06.2015**

Drawing Number: **CX\_(31)\_9031**

Rev: **T01**

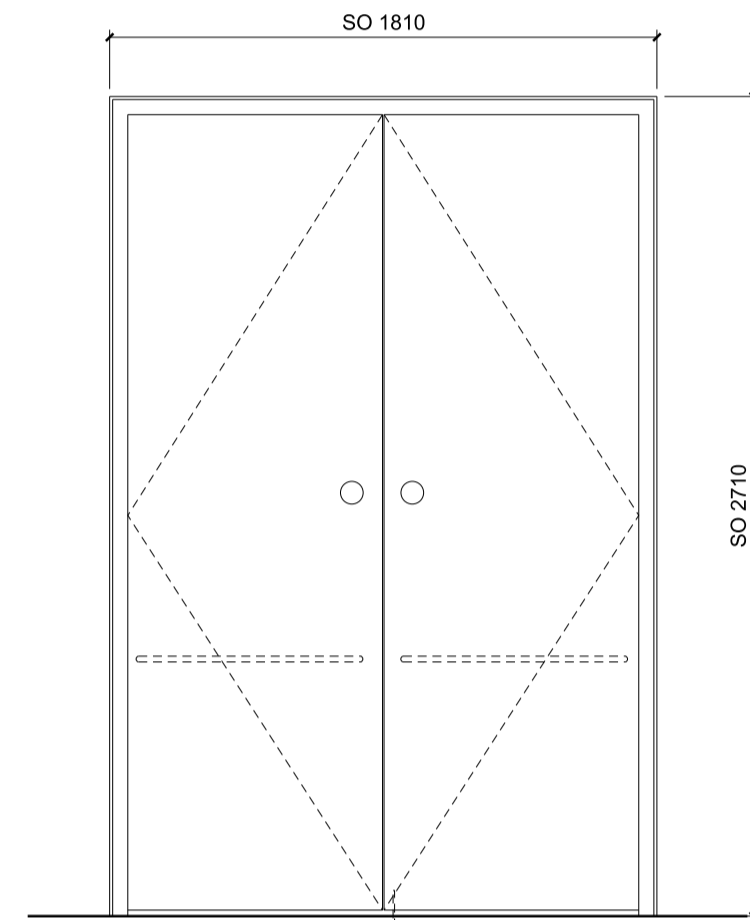
Status: **STAGE E FOR TENDER**

1:25@A1

## CX EXTERNAL DOOR TYPES SUMMARY

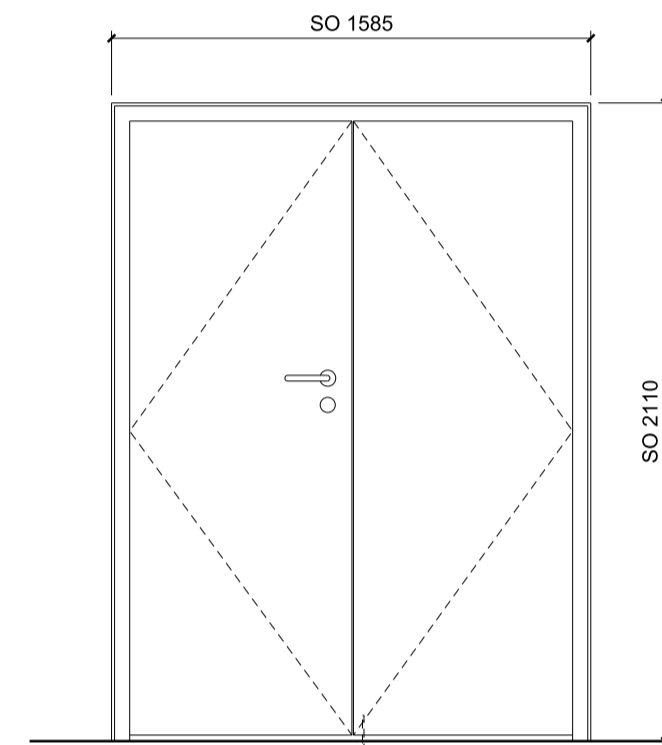
DOOR TYPE CX.06

Stair core escape



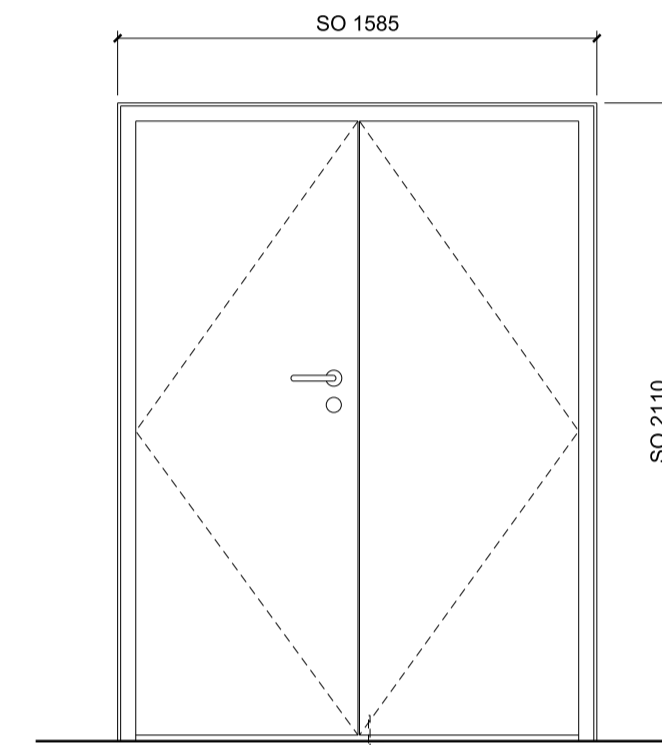
DOOR TYPE CX.07

Service Management



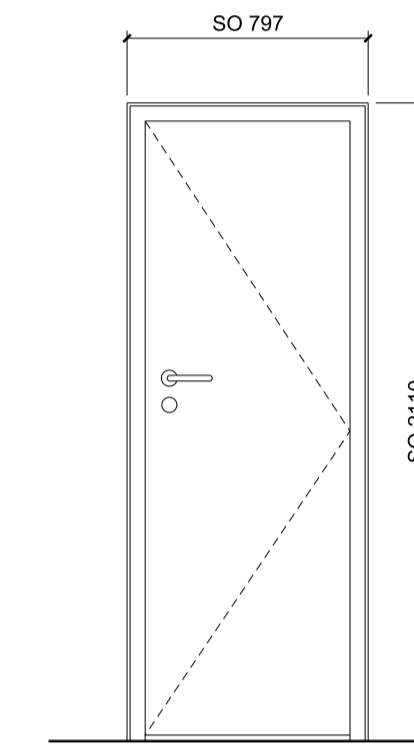
DOOR TYPE CX.08

Substation



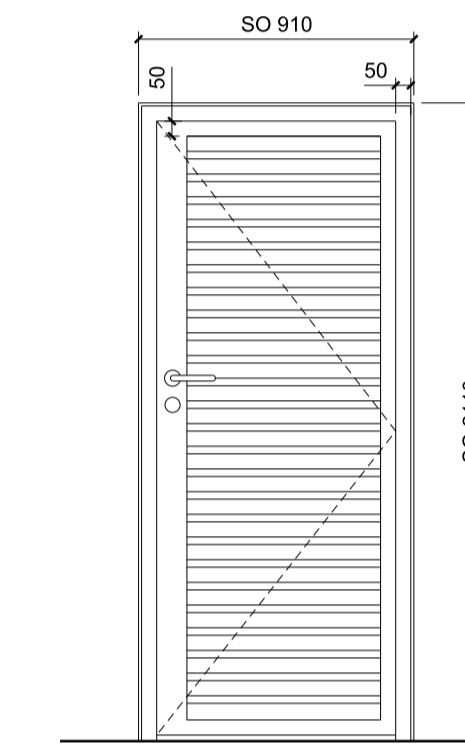
DOOR TYPE CX.09

Substation



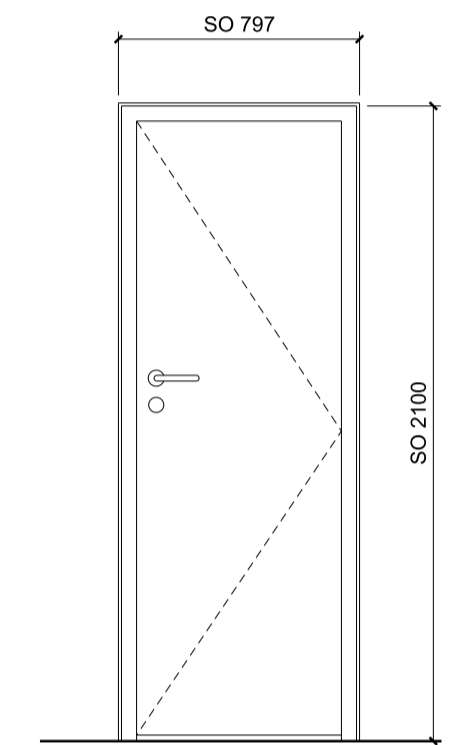
DOOR TYPE CX.10

Gas room

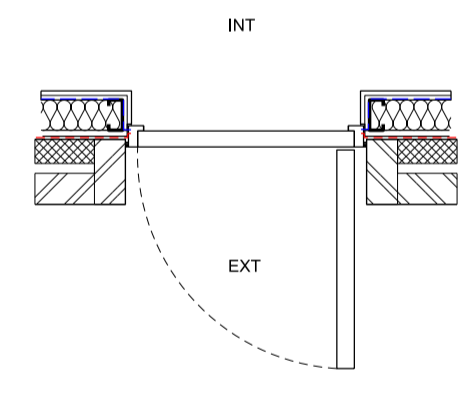
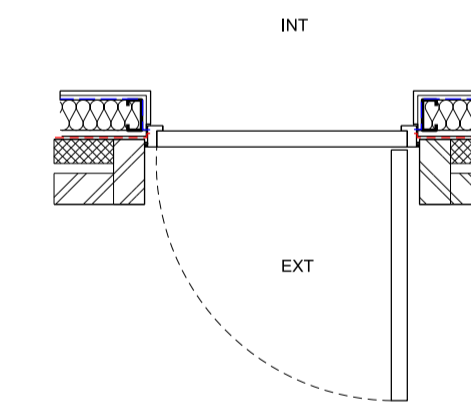
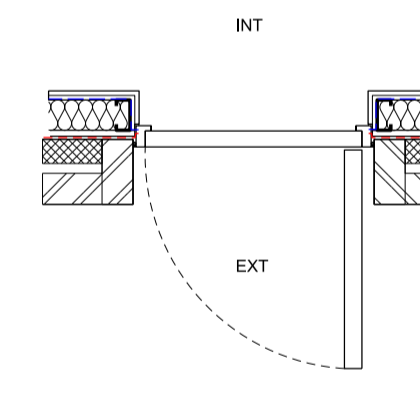
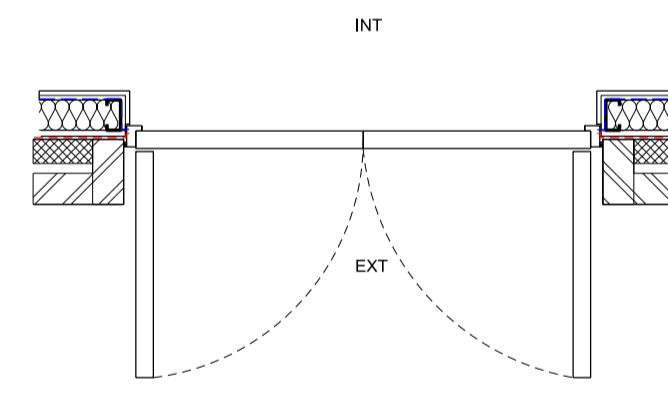
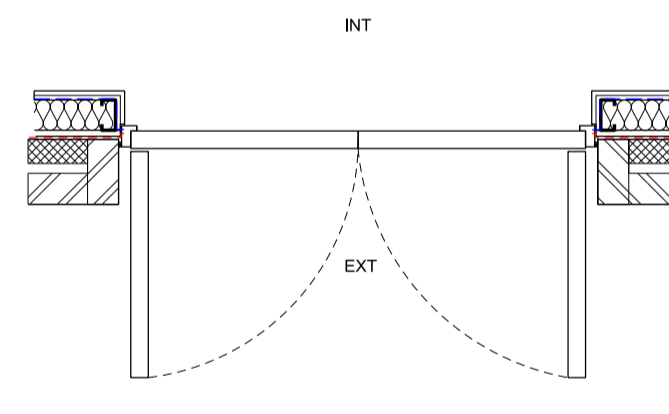
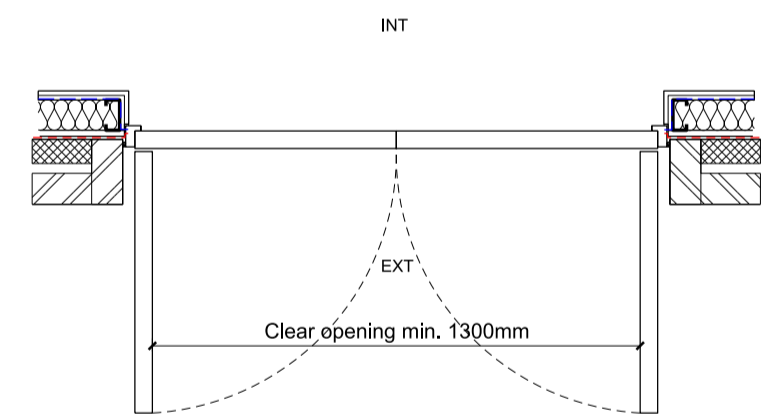


DOOR TYPE CX.11

Sprinkler room



### EXTERNAL ELEVATIONS



### EXAMPLE PLANS

#### DESCRIPTION

NBS L20/284  
 . Painted insulated metal double door.  
 . Push bar escape mechanism.  
 . Escape door statutory signage.  
 . Stainless steel hinges.

No cylinder lock

NBS L20/284  
 . Painted insulated metal double door.  
 . Brushed stainless steel level handle on master leaf.  
 . Push plate to inside of slave leaf.  
 . Floor bolt to slave leaf.  
 . Stainless steel hinges.  
 . Cylinder locking hardware.

NBS L20/283  
 . Specification of door/security/ironmongery  
 TBC by UKPN.

NBS L20/283  
 . Specification of door/ security/ ironmongery  
 TBC by UKPN.

NBS L20/282  
 . Metal louvre door.  
 . Anti-bird/insect mesh provided to rear of louvres.  
 . Louvres to free area as specified by m+e Consultant  
 . Stainless steel hinges.  
 . Cylinder locking hardware.  
 . Brushed stainless steel lever handle to both sides.

NBS L20/284  
 . Painted insulated metal double door.  
 . Stainless steel hinges.  
 . Cylinder locking hardware.  
 . Brushed stainless steel lever handle to both sides.