

ALLFORD HALL MONAGHAN MORRIS

ARCHITECTS Ltd
5-23 OLD STREET
LONDON
EC1V 9HL
TEL 020 7251 5261
FAX 020 7251 5123
WEB WWW.AHMM.CO.UK

NOTES:
 . REFER TO (68) SERIES DRAWINGS FOR ALL FIRE RATINGS.
 . REFER TO SCHEDULE
 . HANDING VARIES
 . ALL COLOURS TBC
 . LOUVRE FREE AREA TO M+E SPECIFICATION
 . ALL SIGNAGE TBC
 . FOR SECURITY INFORMATION PLEASE REFER TO SECURITY CONSULTANT SPECIFICATION
 . REFER TO ELEVATIONS FOR IRONMONGERY
 . ALL STRUCTURAL OPENINGS TBC WITH SITE LEVELS
 . SBD INFO TO BE CONFIRMED

Project Name: **CAMDEN LOCK VILLAGE**

Date: **26.06.2015**

Drawing Number: **CX_(31)_9030**

Rev: **T01**

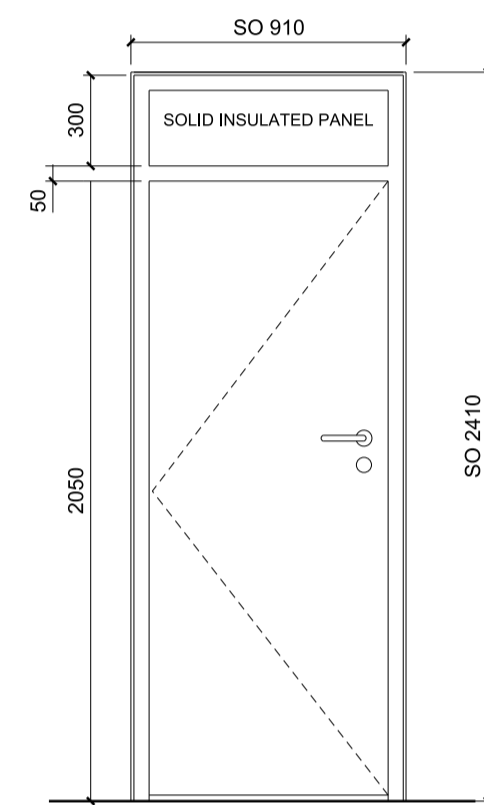
Status: **STAGE E FOR TENDER**

1:25@A1

CX EXTERNAL DOOR TYPES SUMMARY

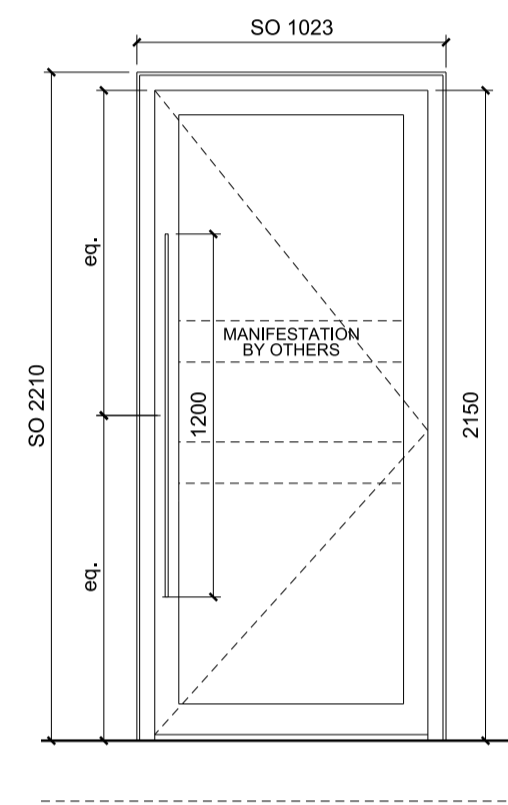
DOOR TYPE CX.01

Maintenance Access



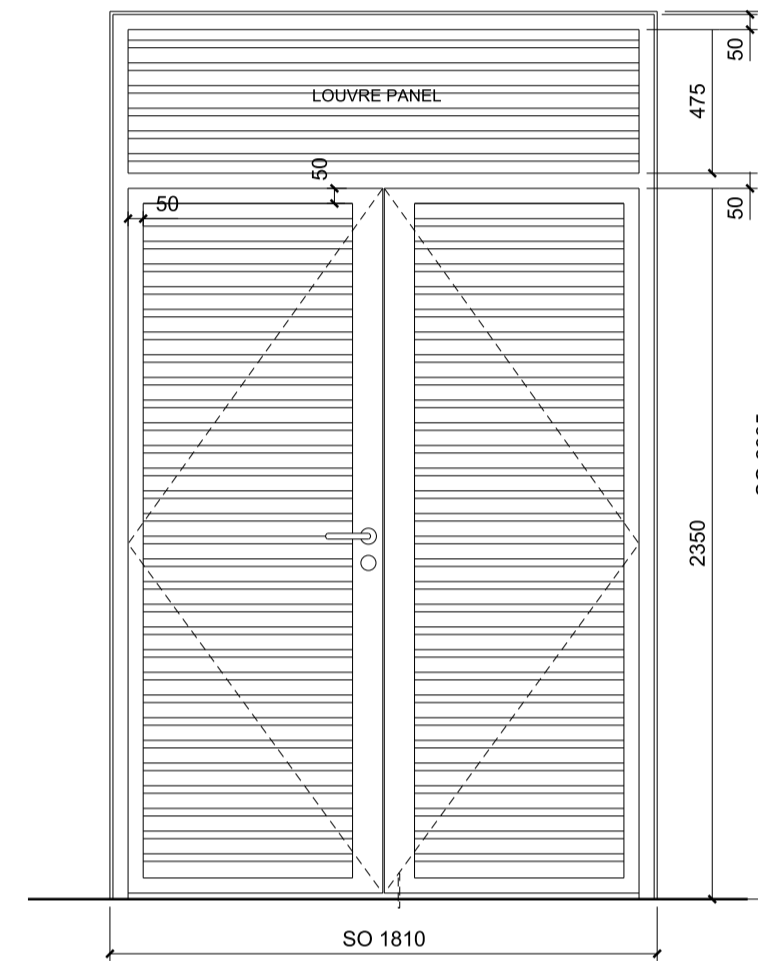
DOOR TYPE CX.02

Residential Access



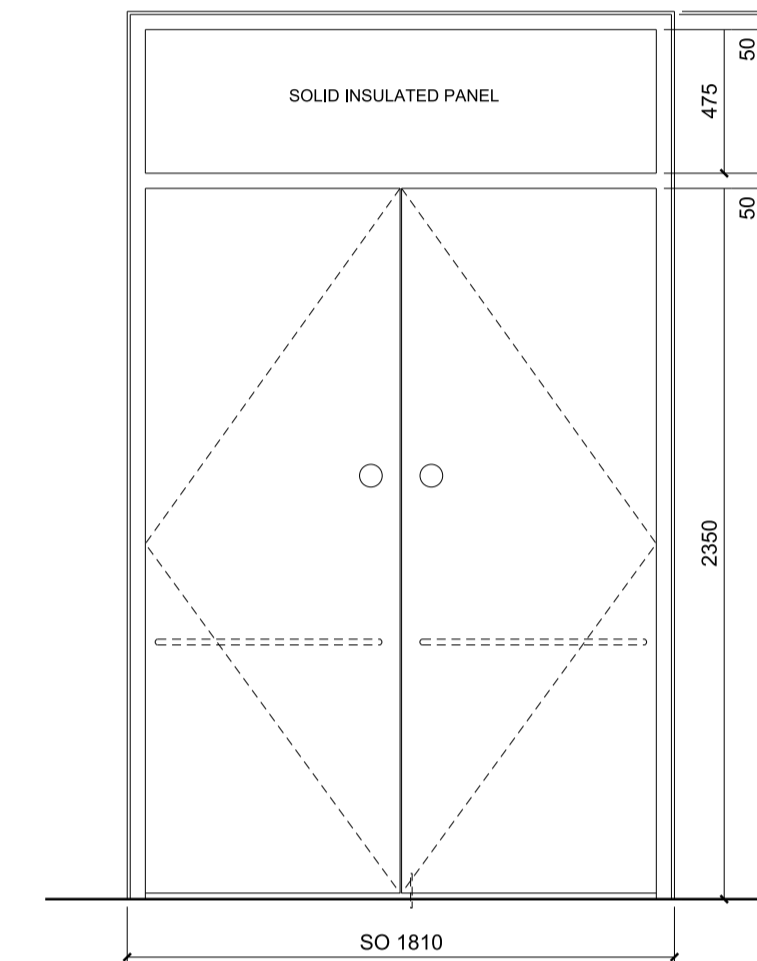
DOOR TYPE CX.03

Bin Store



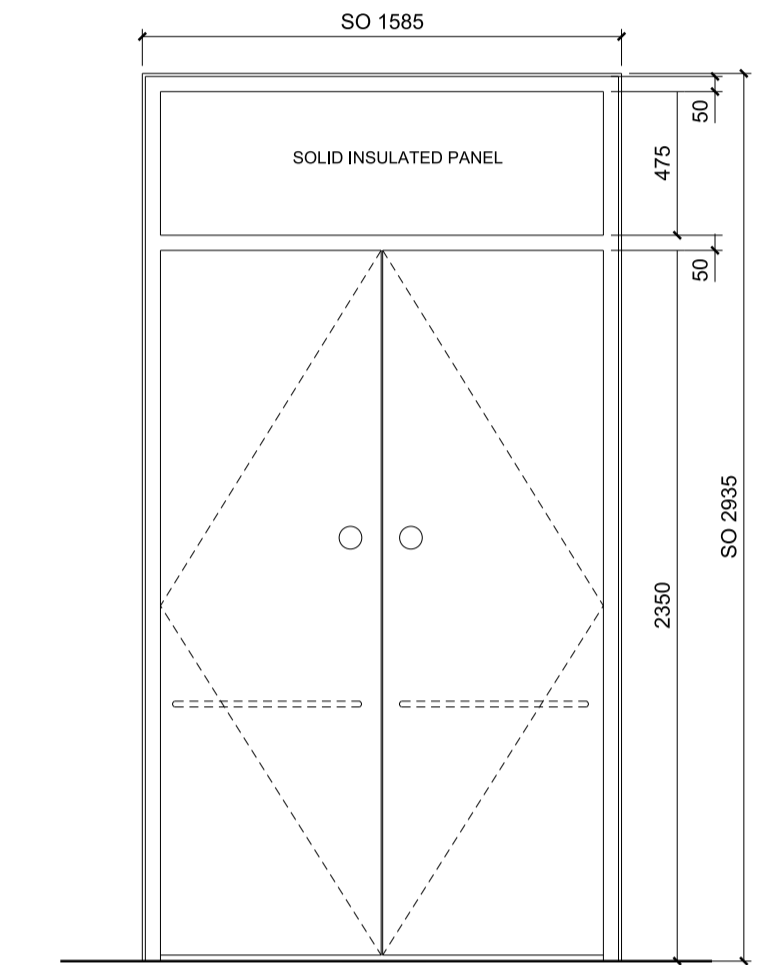
DOOR TYPE CX.04

Stair core escape

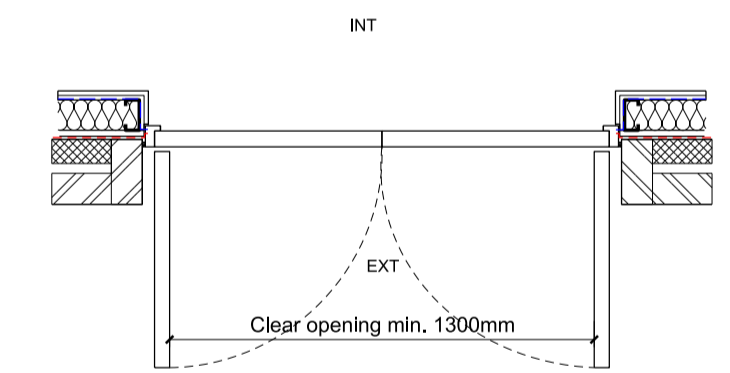
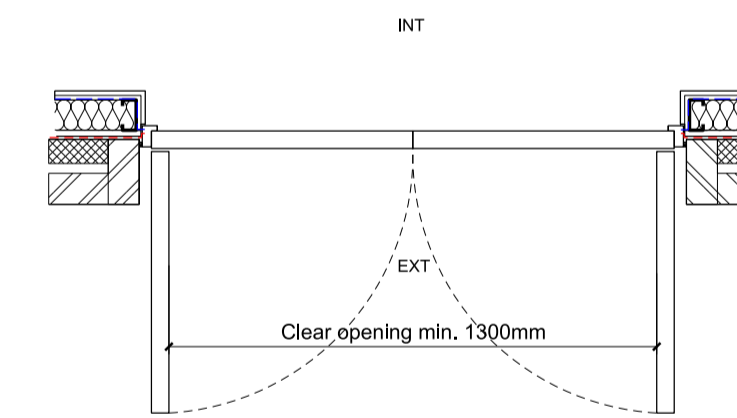
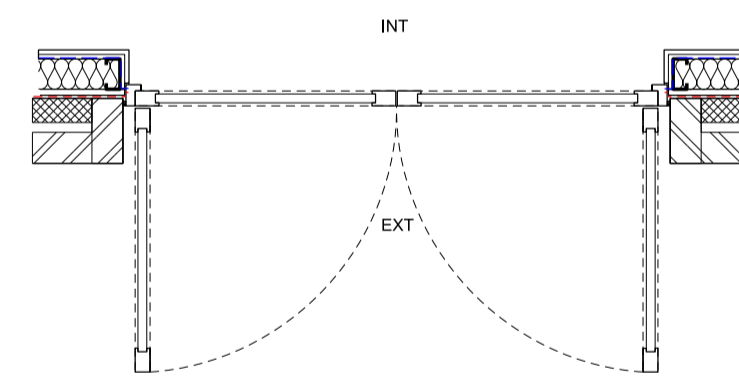
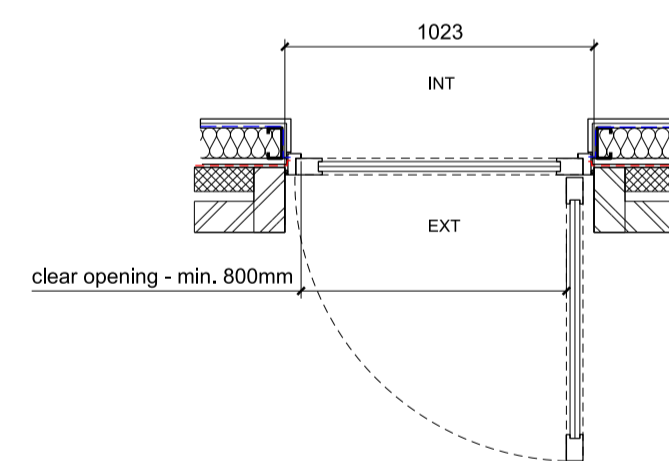
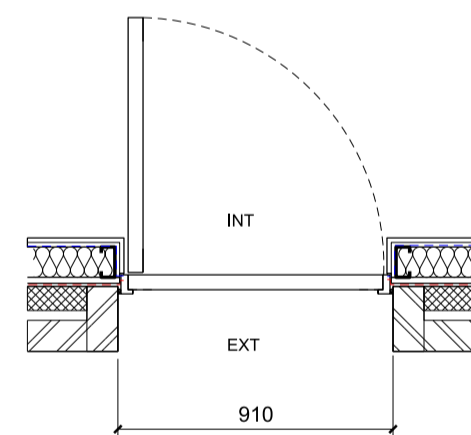


DOOR TYPE CX.05

Stair core escape



EXTERNAL ELEVATIONS



EXAMPLE PLANS

DESCRIPTION

NBS L20/284

- . Painted insulated metal door.
- . Solid insulated painted metal panel above.
- . Brushed stainless steel lever handle to both sides.
- . Cylinder locking hardware.
- . Stainless steel hinges.

NBS L20/281

- . Metal door with full height glazed screen.
- . Brushed stainless steel pull handle.
- . Push plate to alternate side.
- . Locking/automation/access control system -TBC
- . Overhead closers with hold open mechanism.
- . Concealed stainless steel hinges.

NBS L20/282

- . Metal louvre double door with top panel.
- . Anti-bird/insect mesh provided to rear of louvres.
- . Louvres to free area as specified by m+e Consultant.
- . Brushed stainless steel lever handle on master leaf.
- . Push plate to inside of slave leaf.
- . Floor bolt to slave leaf.
- . Stainless steel hinges.
- . Cylinder locking hardware.

NBS L20/284

- . Painted, insulated metal double door.
- . Painted solid insulated panel above.
- . Push bar escape mechanism.
- . Escape door statutory signage.
- . Stainless steel hinges.

No cylinder lock

NBS L20/284

- . Painted insulated metal double door.
- . Painted solid insulated panel above.
- . Push bar escape mechanism.
- . Escape door statutory signage.
- . Stainless steel hinges.

No cylinder lock