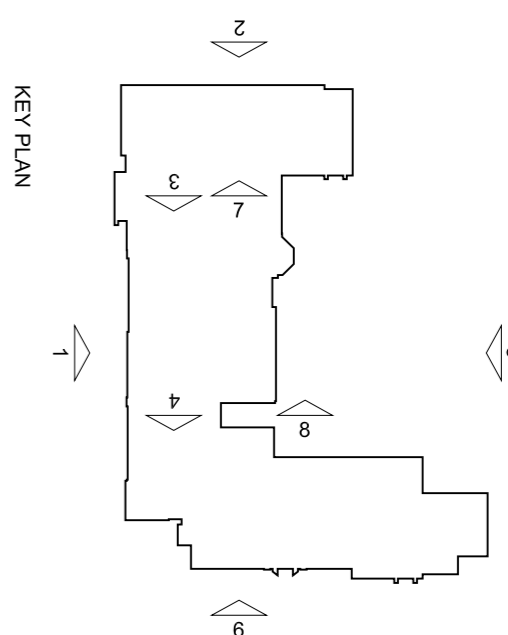
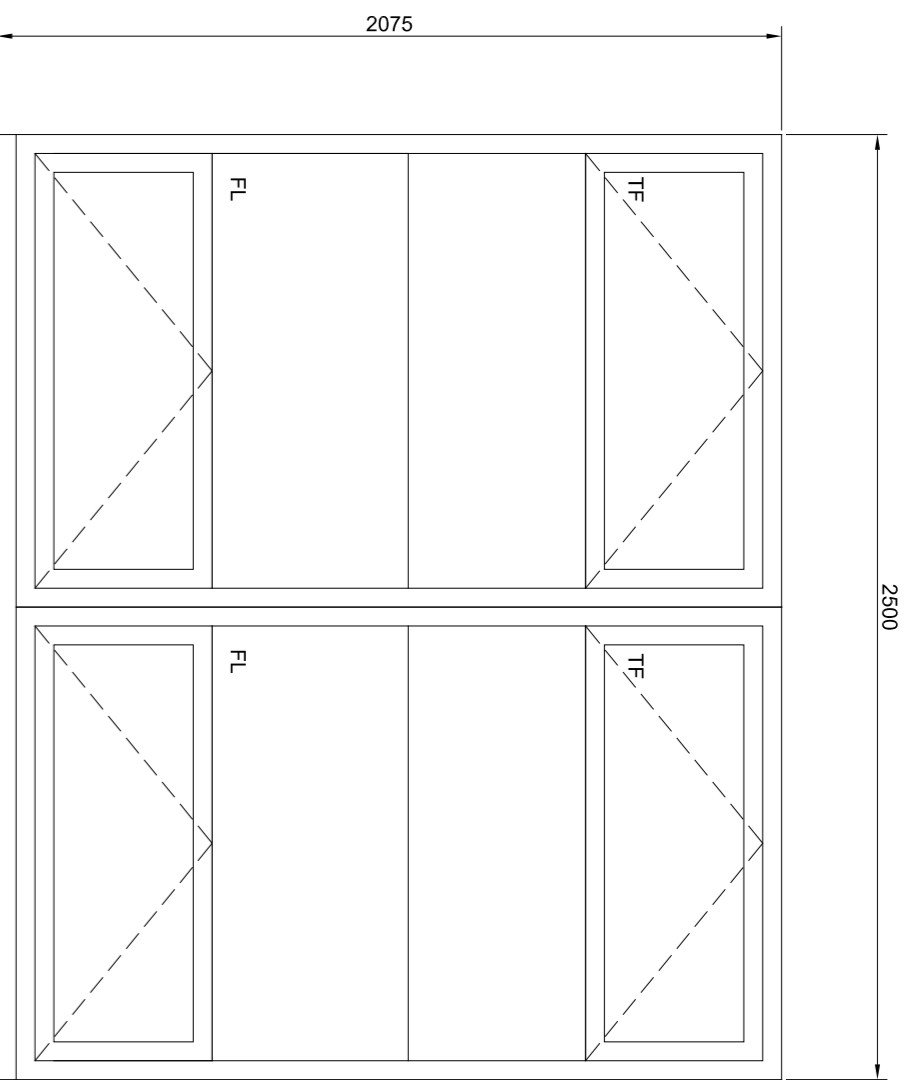


**COPYRIGHT ©**  
 DIMENSIONS ONLY ARE TO BE USED. FOR OTHER  
 REQUIREMENTS, CONTACT THE ARCHITECT.  
 CHECKED ON SITE PRIOR TO THE COMMENCEMENT OF WORK.  
 DISCREPANCIES AMBIGUITIES OR DIFFERENCES BETWEEN  
 DRAWINGS SHALL BE RECORDED IN THE DRAWING LOG AND  
 BILLS OF QUANTITIES TO BE REFERRED TO WITHOUT DELAY  
 DO NOT SCALE THIS DRAWING

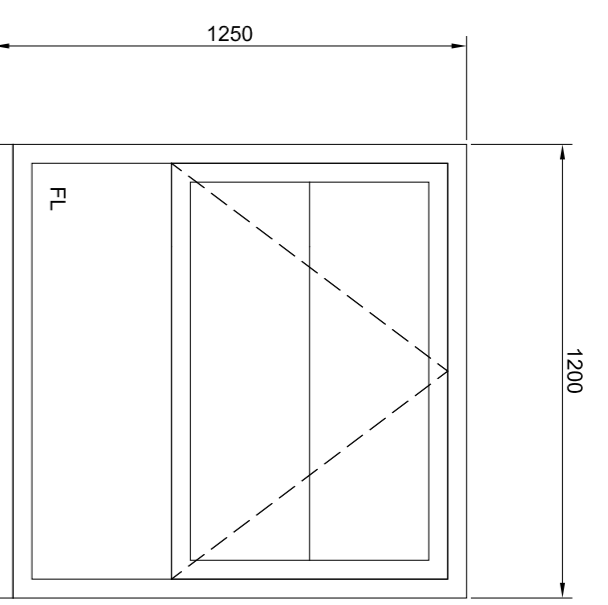
**NOTES:**



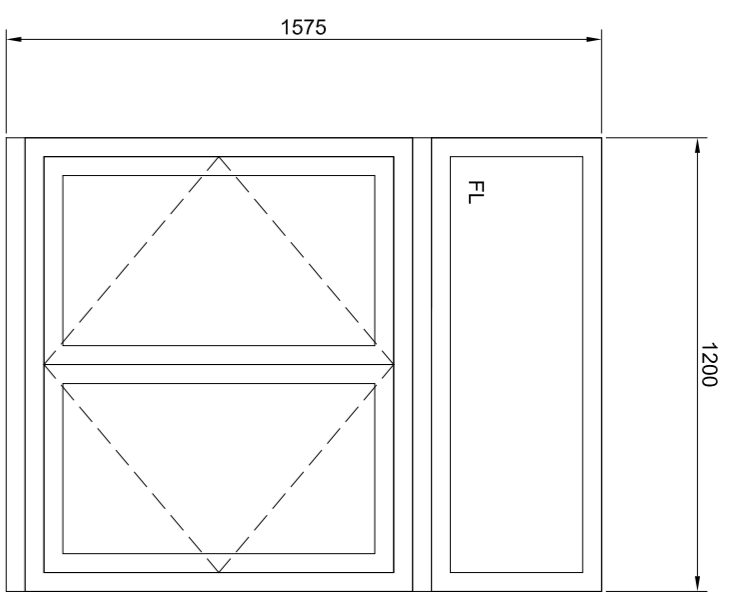
TF = Tallflex Opening  
 FL = Fixed Light



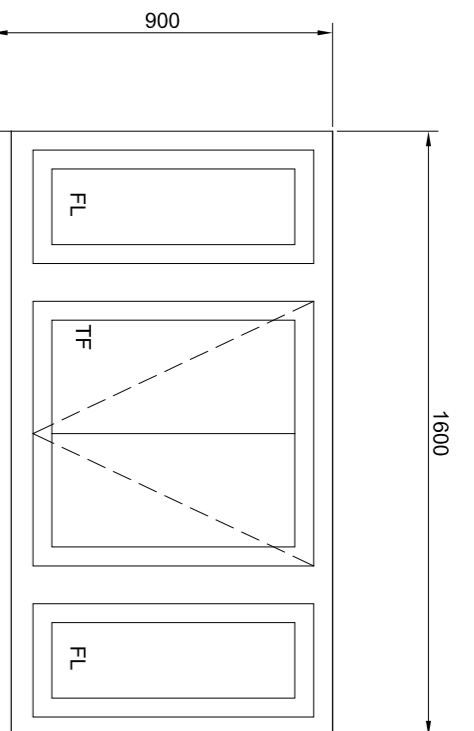
**22 Window Type A3**  
 A106 Scale: 1:20



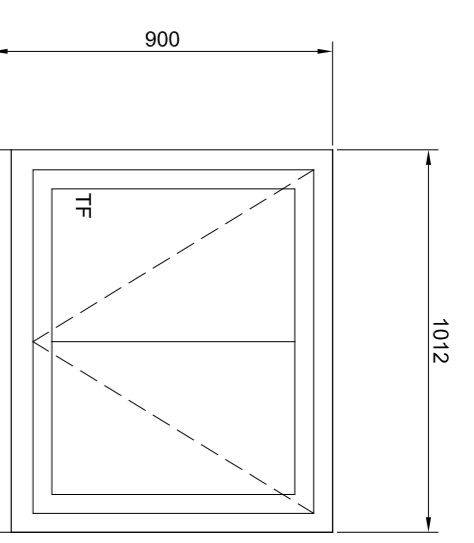
**23 Window Type A4**  
 A106 Scale: 1:20



**24 Window Type A5**  
 A106 Scale: 1:20



**25 Window Type A6**  
 A106 Scale: 1:20



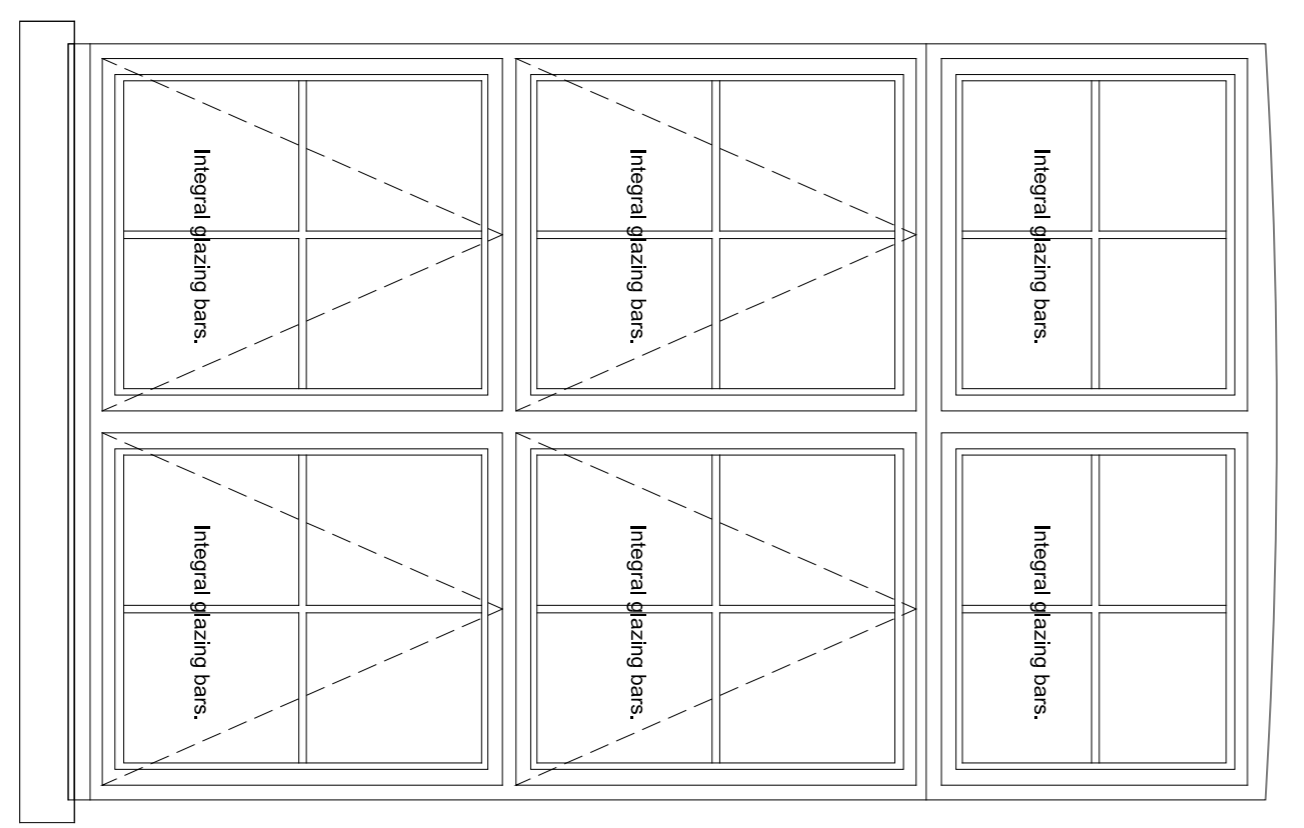
**26 Window Type A7**  
 A106 Scale: 1:20

**Window Schedule**

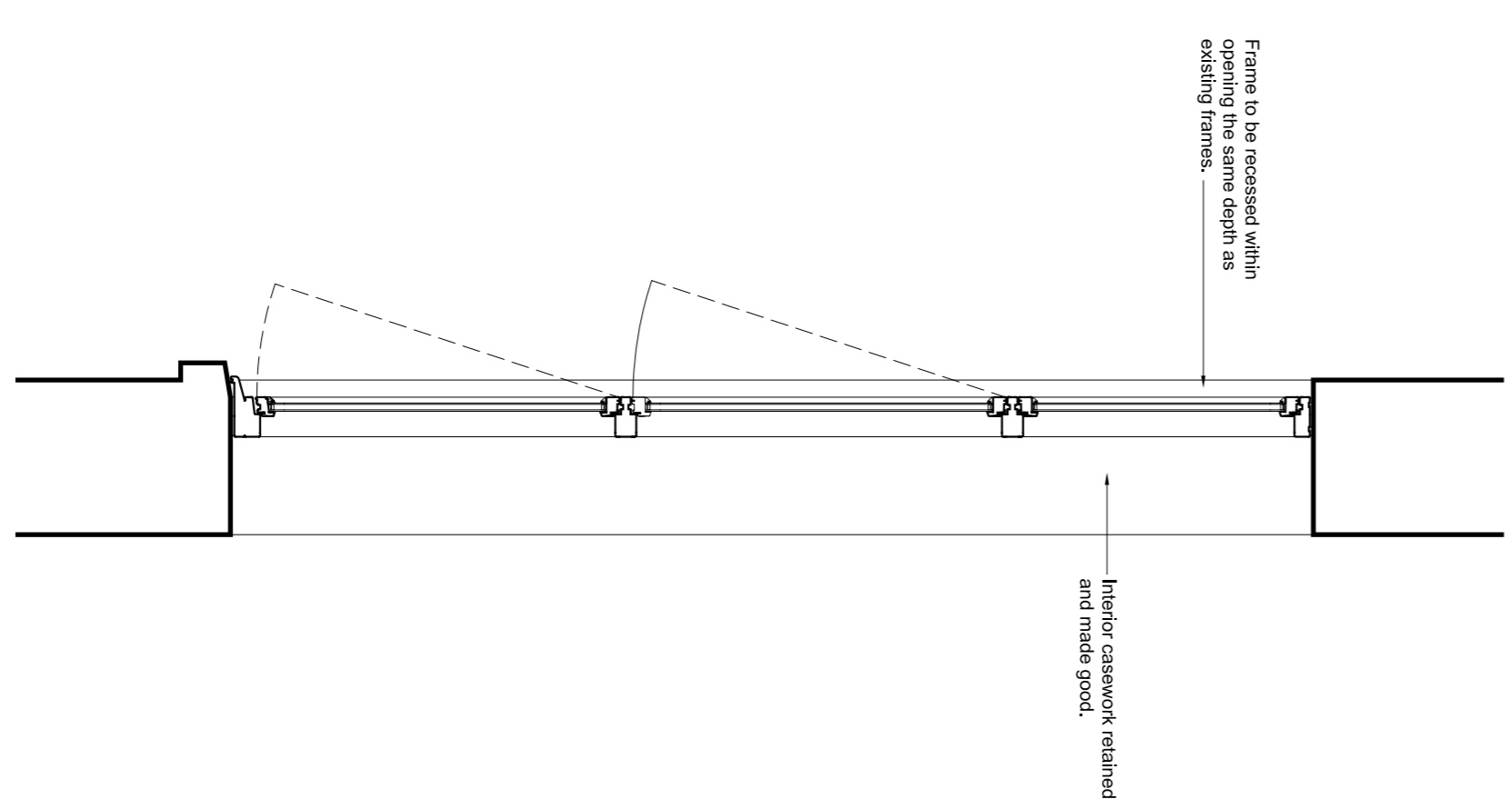
Window Designation	Approximate Size	Type	Description	Remarks	Number	General
Type A	1765 X 3200	Casement Top Hung	415 - 115		7	Tallflex opening.
Type B	1765 X 2100	Casement Top Hung	415 - 115	Arch'd Head	2	Tallflex opening.
Type C	1765 X 3300	Casement Top Hung	415 - 115	Arch'd Head	9	Tallflex opening.
Type D	1765 X 3300	Casement Top Hung	415 - 115		11	Tallflex opening.
Type E	1765 X 3200	Casement Top Hung	415 - 115	Arch'd Head	1	Tallflex opening.
Type F	1012 X 3200	Casement Top Hung	213 - 113	Arch'd Head	2	Tallflex opening.
Type G	2000 X 3200	Casement Top Hung	213 - 113	Arch'd Head	2	Tallflex opening.
Type H	2255 X 2850	Casement Top Hung	Equal Split	Arch'd Head	1	Tallflex opening.
Type J	1012 X 3500	Casement Top Hung	213 - 113	Arch'd Head	3	Tallflex opening.
Type K	1012 X 1275	Casement Top Hung	Equal Split		5	Tallflex opening.
Type L	1012 X 3200	Casement Top Hung	Equal Split		2	Tallflex opening.
Type M	1012 X 1425	Casement Top Hung	213 - 113		6	Tallflex opening.
Type N	1012 X 2025	Casement Top Hung	314 - 114		3	Tallflex opening.
Type P	1012 X 1275	Casement Top Hung	Equal Split		12	Tallflex opening.
Type Q	1800 X 3025	Casement Top Hung	213 - 113	Arch'd Head	3	Tallflex opening.
Type R	1800 X 3075	Casement Top Hung	Equal Split	Arch'd Head	2	Tallflex opening.
Type S	1800 X 3150	Casement Top Hung	Equal Split	Arch'd Head	4	Tallflex opening.
Type T	2100 X 2925	Casement Top Hung	213 - 113		1	Tallflex opening.
Type V	2100 X 750	Casement Top Hung	Equal Split		1	Tallflex opening.
Type A1	2500 X 1425	Casement Top Hung	213 - 113		1	Tallflex opening.
Type A2	2500 X 2025	Casement Top Hung	314 - 114		1	Tallflex opening.
Type A3	2500 X 2075	Casement Top Hung	Equal Split		1	Tallflex opening.
Type A4	1200 X 1250	Casement Top Hung	113 - 213		1	Tallflex opening.
Type A5	1200 X 1575	Casement Side Hung	213 - 113		1	Equal Ironmongery
Type A6	1765 X 900	Casement Bottom Hung	112 - 114		1	Tallflex opening.
Type A7	1012 X 900	Casement Bottom Hung			7	Tallflex opening.

- GENERAL REQUIREMENTS**
- ALL FRAMES TO BE HIGH PERFORMANCE DOUBLE GLAZED (RAL COLOUR WHITE)
  - ALL TOP HUNG WINDOWS WITH NO EXTERNAL ACCESS TO BE REVERSIBLE AND INTERNAL CLEANING
  - RESTRICTORS ABOVE GROUND FLOOR
  - ALL WINDOWS TO BE FITTED WITH RESISTORS.
  - TRICKLE VENTS (ALL WINDOWS TO HAVE TRICKLE VENTS FITTED AS STANDARD)
  - Requirement for trickle vents, in accordance with Part F of the Building Regulations
  - DRAUGHT PROOFING
  - 5.1 All windows to be fitted with integral draught proofing.
  - GLAZING
  - 6.1 To be a semi standard thermally sealed double glazed unit. All windows are to have thermal breaking and be installed in accordance with the SAFETY GLASS
  - 7.1 Part N1 Current Building Regulations and BS 6858: 1981 the outside layer of the double glazed unit and toughened on the inside and tested to BS 7550: 1997 (Revised by Design)
  - LOCKABLE FASTENERS
  - 8.1 All windows to be fitted with lockable fasteners.
  - OBSCURED GLASS TO BATHROOMS / TOILET WINDOWS
  - 9.1 All windows to be fitted with obscure glazing.
  - MANUFACTURE
  - Window manufacturer to advise on any matters relating to current building regulations and compliance, particularly Part E and Secured by Design

OPENING SIZES SHOWN ARE STRUCTURAL OPENING SIZES (NOT FRAME SIZES)



**27 Typical Proposed Elevation**  
 A106 Scale: 1:20



**PinnacleESP**  
 consulting engineers  
 London Office: Cargo Works, 3rd Floor, 1-2 Hatfield, London, SE1 9PG  
 Coventry Office: 100, Wren Yard, 119 High Street, Coventry, Surrey, CV9 1QS  
 Tel: 01203 87726 5500 | Fax: 01203 87726 5533  
 Email: info@pinnacle-esp.co.uk | Web: www.pinnacle-esp.co.uk

**PROJECT:**  
 RICHARD COBDEN PRIMARY SCHOOL  
 Client: LONDON BOROUGH OF CAMDEN

1 May 16 | 1:20 Elevation & section added.  
 1 May 16 | ARCHITECTS LAYOUTS

Scale: 1:20  
 0 200 400 600 800 1000mm

1 May 16 | 1:20 Elevation & section added.  
 1 May 16 | ARCHITECTS LAYOUTS

1 May 16 | 1:20 Elevation & section added.  
 1 May 16 | ARCHITECTS LAYOUTS