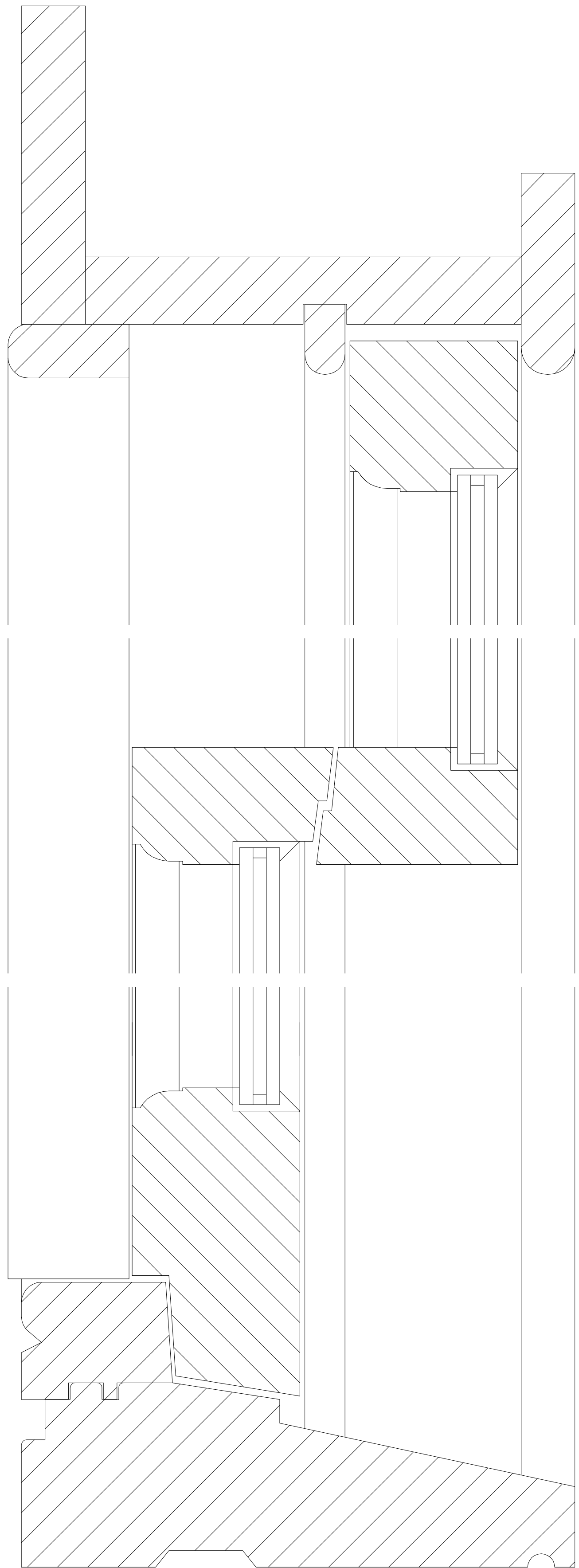
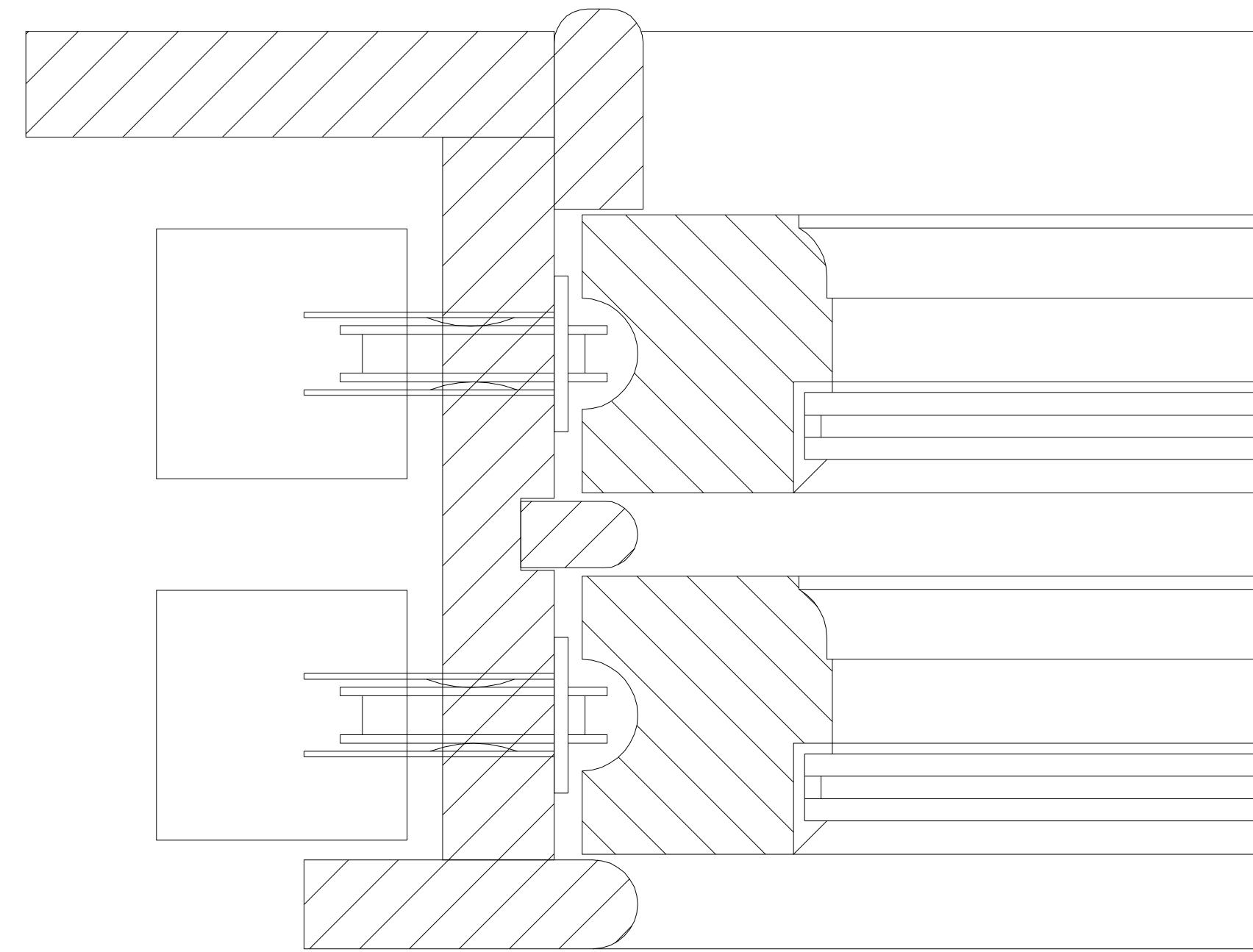


HEAD

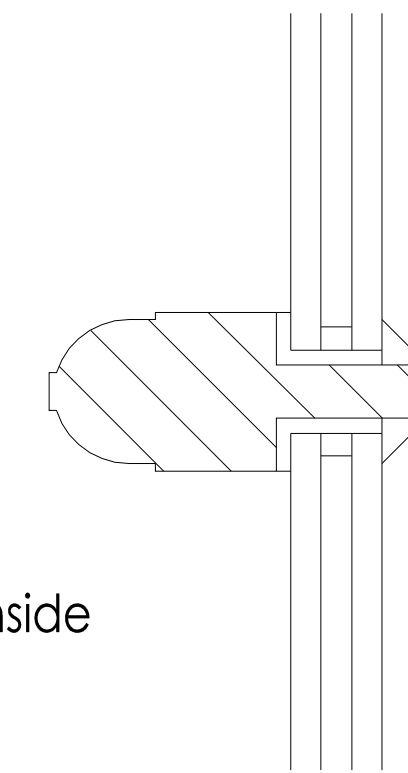


MEETING STILES

CILL



JAMB



inside

outside

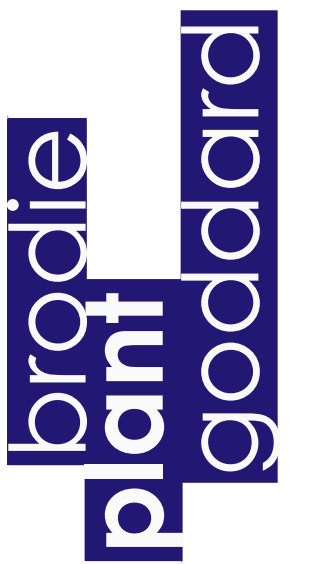
ASTRAGAL



Amendments

•

DO NOT SCALE FOR CONSTRUCTION



STUDIOS 1 & 2
 OLD KINGS HEAD COURT
 11 HIGH STREET
 DORKING
 SURREY RH4 1AR
 T 01306 887070
 F 01306 876716
 admin@bpg.co.uk
 www.bpg.co.uk

BUILDING SURVEYING
 ARCHITECTURE
 PROJECT MANAGEMENT
 QUANTITY SURVEYING

PROJECT
 50 NEAL STREET,
 LONDON, WC2H
 WINDOW REPLACEMENT

CLIENT
 ORIGIN HOUSING

3469	DATE AUGUST 2012
DRAWN SD	CHECKED RM
SCALE 1:1@A1	FOR PLANNING

TITLE
 1:1 JOINERY DETAILS

DRAWING NO. PL_14_04	REV *
--------------------------------	-----------------