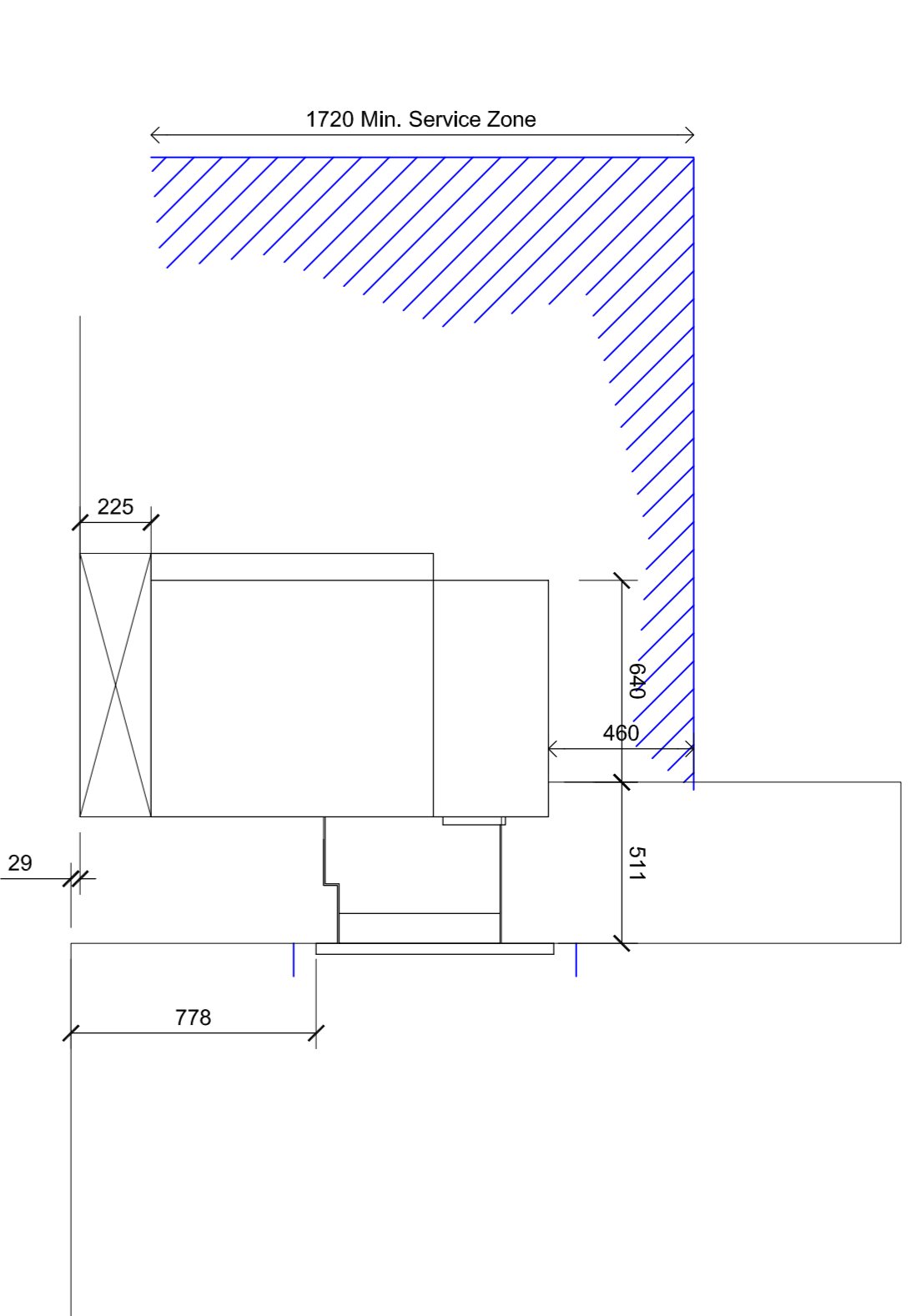


EXISTING EXTERNAL ATM PLAN 1-1:20



SECTION 1 - 1:20



Existing 5884 'S' Key height 930mm

Financial footprint Rank	-
Classification	-
Building Category	-
ATM RAAG Rating	
COST	

rev	description	date



Project
 GREAT ORMOND ST HOSPITAL
 GREAT ORMOND STREET
 LONDON, WC1N 3JH

Title
 GROUND FLOOR
 ATM SET OUT DETAILS
 EXISTING

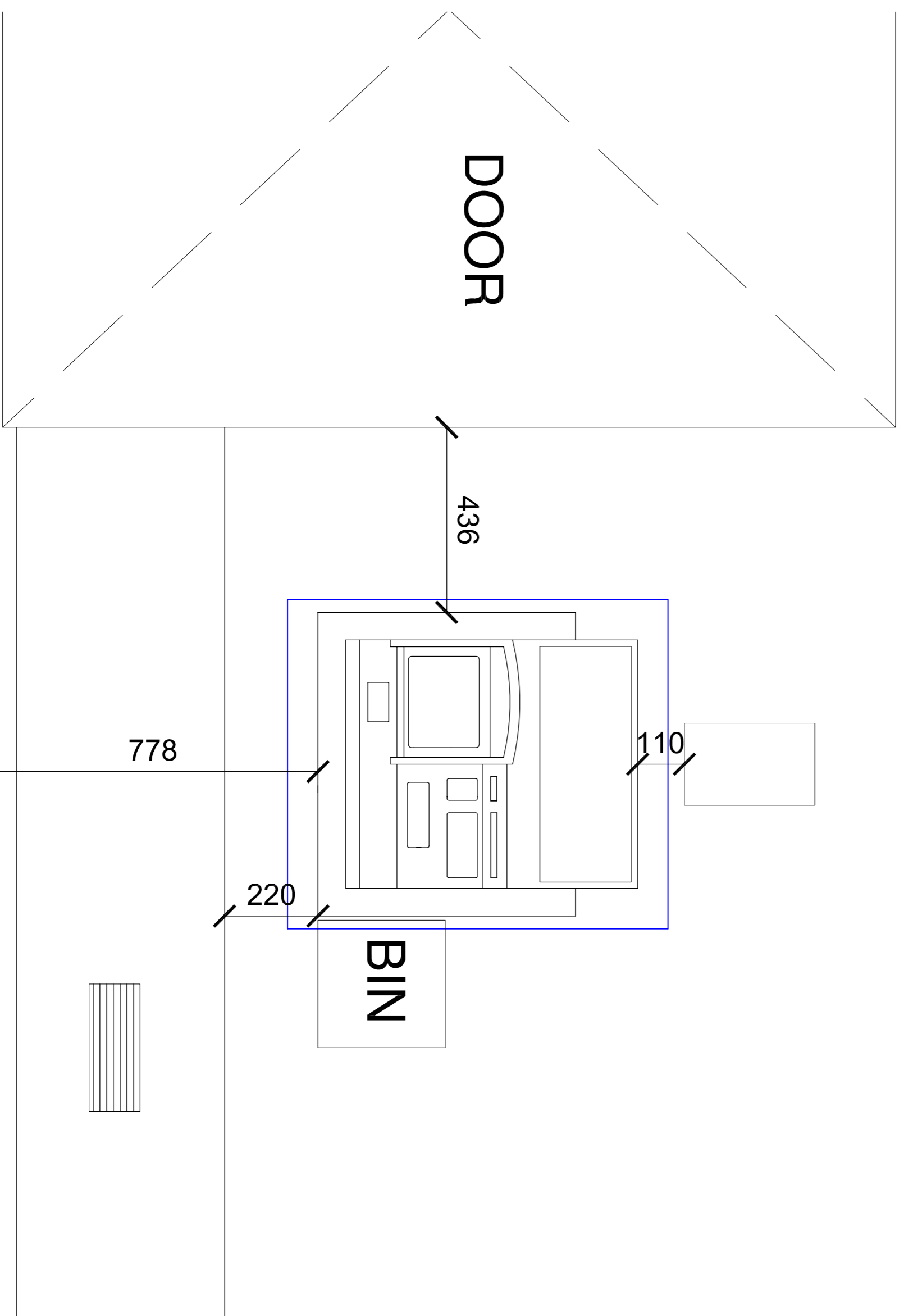
Scale
 1:20 @ A1 : 1:40 @ A3

dm	SB	chk	EK	app
----	----	-----	----	-----

date	20.04.16	date	20.04.16	date
------	----------	------	----------	------

consultants' drawing number	D0704-094-062	brand
-----------------------------	---------------	-------

the drawing number		rev	-
--------------------	--	-----	---



EXISTING EXTERNAL ELEVATION A - 1:10



Existing ATM Image