

SELECTION MATRIX

environ *lite* ELV1.1.25ACS6D

20 November 2015

Acoustic enclosures for Daikin AC Unit Applications

CUSTOMER:	SITE / LOCATION / REFERENCE

ORIGINAL EQUIPMENT MANUFACTURERS PUBLISHED DATA					
MAKE, MODEL, DIMENSIONS, AIR FLOW & SOUND PRESSURE LEVEL @1.0M FREE FIELD					
MAKE:		MODEL:		AIR IN	AIR OUT
Daikin		RXYSQ4TMV1B		Rear & 1 Side	Front
WIDTH (MM)	DEPTH (MM)	HEIGHT (MM)	AIRFLOW (M ³ S ⁻¹)	SPL dB(A)	DISTANCE (M)
940	440	825	1.52	52	1

INNER CUBE DIMENSIONS		
1100	600	1435
WIDTH (MM)	DEPTH (MM)	HEIGHT (MM)
1.52	1.0	52
AIRFLOW (M ³ S ⁻¹)	DISTANCE (M)	SPL dB(A)

ENCLOSURE DETAIL		
1750	1200	1500
WIDTH (MM)	DEPTH (MM)	HEIGHT (MM)
1.52	1.0	27
AIRFLOW (M ³ S ⁻¹)	DISTANCE (M)	SPL dB(A)

INLET AIRWAYS		
1435	275	1
WIDTH (MM)	HEIGHT (MM)	NO.

DESIGN CRITERIA		
OK	OK	OK
UNIT SIZE	OUTLET	INLET

OUTLET AIRWAYS		
275	1435	1
WIDTH (MM)	HEIGHT (MM)	NO.

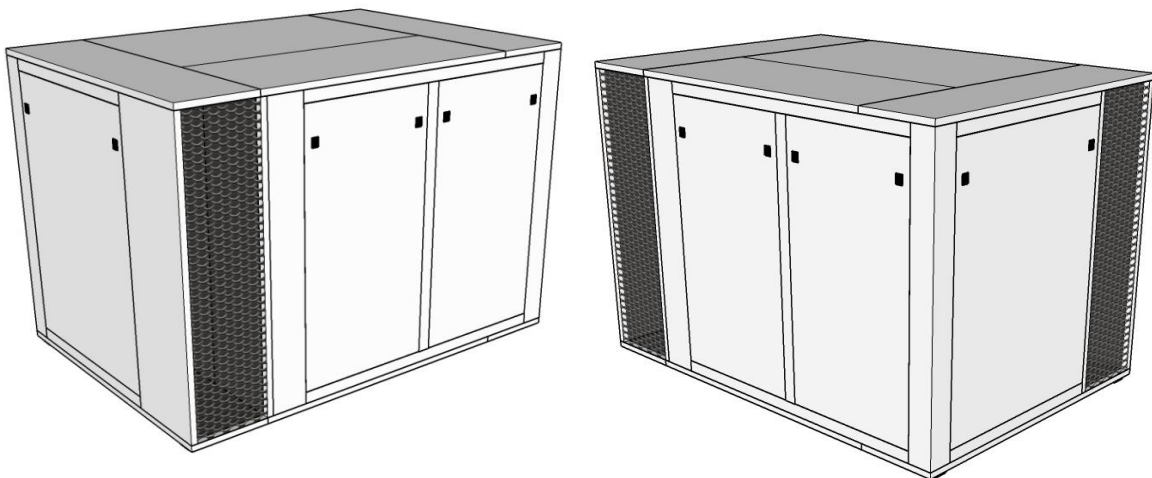
AIRFLOW INFORMATION		
18	3.9	3.9
PD (NM ⁻²)	OUTLET (MS ⁻¹)	INLET (MS ⁻¹)

Select Inlet & Outlet Airway Sizes to Ensure Airflows are kept Below 6.0m/s

ENCLOSURE INFORMATION	
	INLET AIRWAY
	OUTLET AIRWAY
	EXTERNAL SIZE
	NOISE LEVEL @ 1 M (Free Field)

WIDTH (MM)	DEPTH (MM)	HEIGHT (MM)
275		1435
275		1435
1750	1200	1500
27	SPL dB(A) SOUND PRESSURE	

NOTES CONCERNING ENCLOSURE DESIGN



Environ acoustic designs are protected under patent

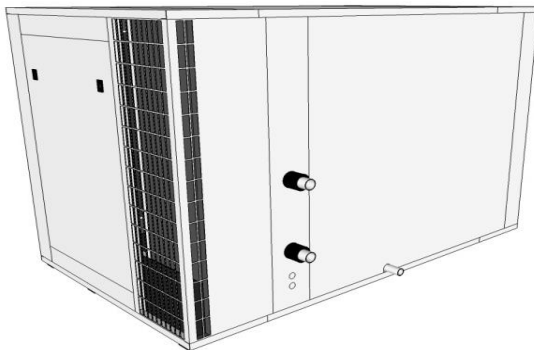
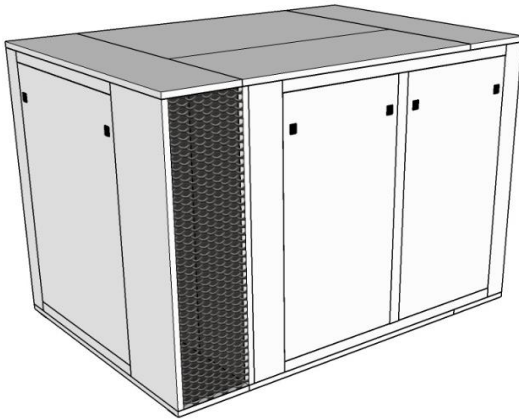
The information contained in this Selection Matrix is Confidential and shall not be disclosed or used for any unauthorised purposes

SELECTION MATRIX

environlite 1.1.25AC/ASHP S4

Acoustic enclosures for Split AC Unit Applications

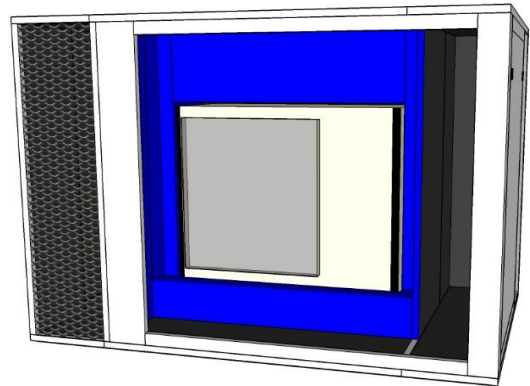
20 November 2015



System/Electrical/Condensate Services

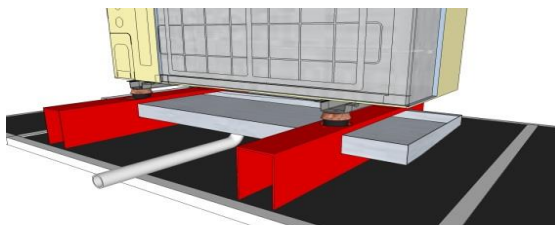
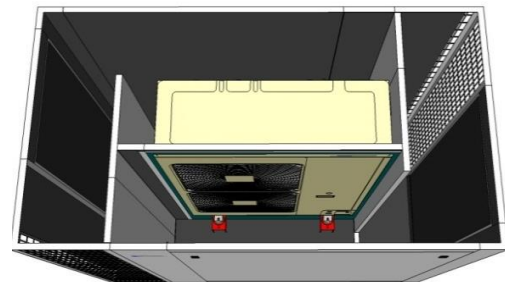
Exterior Colour

Any RAL/BS Colour



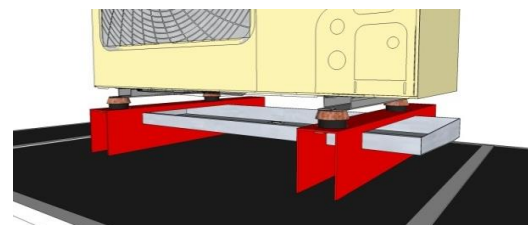
Service/Maintenance Access

Balanced Air Flow
Internal Plenum Seals stop
Air Recirculation



Condensate Drain Pan
Drain Pan Heater Tape

Optional Extras



Anti Vibration Mounts

Environ acoustic designs are protected under patent

The information contained in this Selection Matrix is Confidential and shall not be disclosed or used for any unauthorised purposes