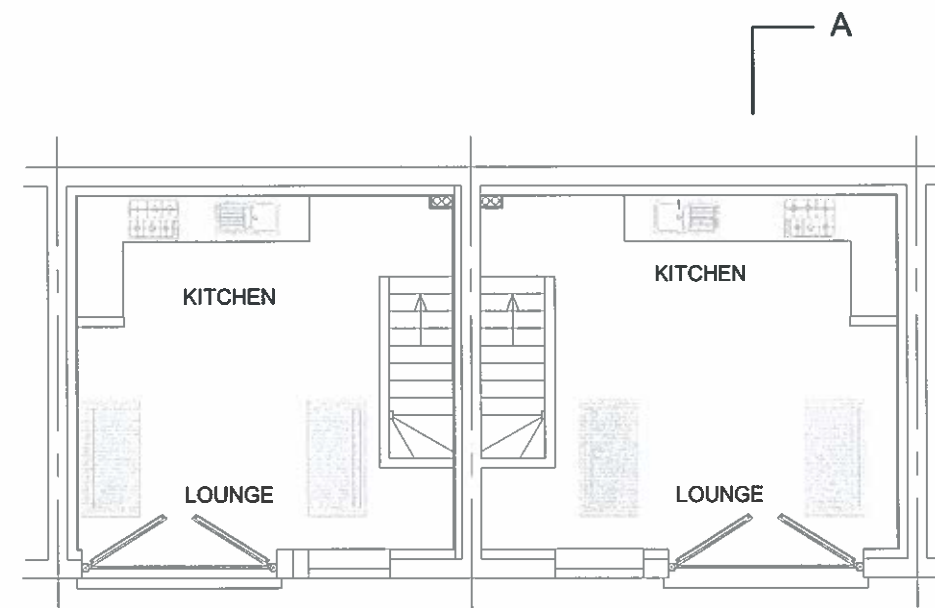


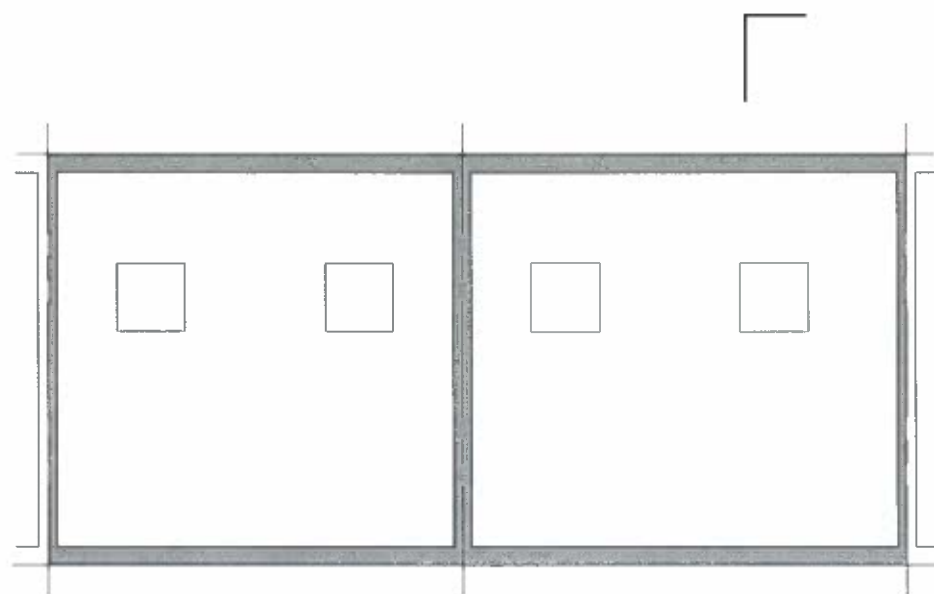
GROUND FLOOR PLAN
No 16

GROUND FLOOR PLAN
No 17



FIRST FLOOR PLAN
No 16

FIRST FLOOR PLAN
No 17

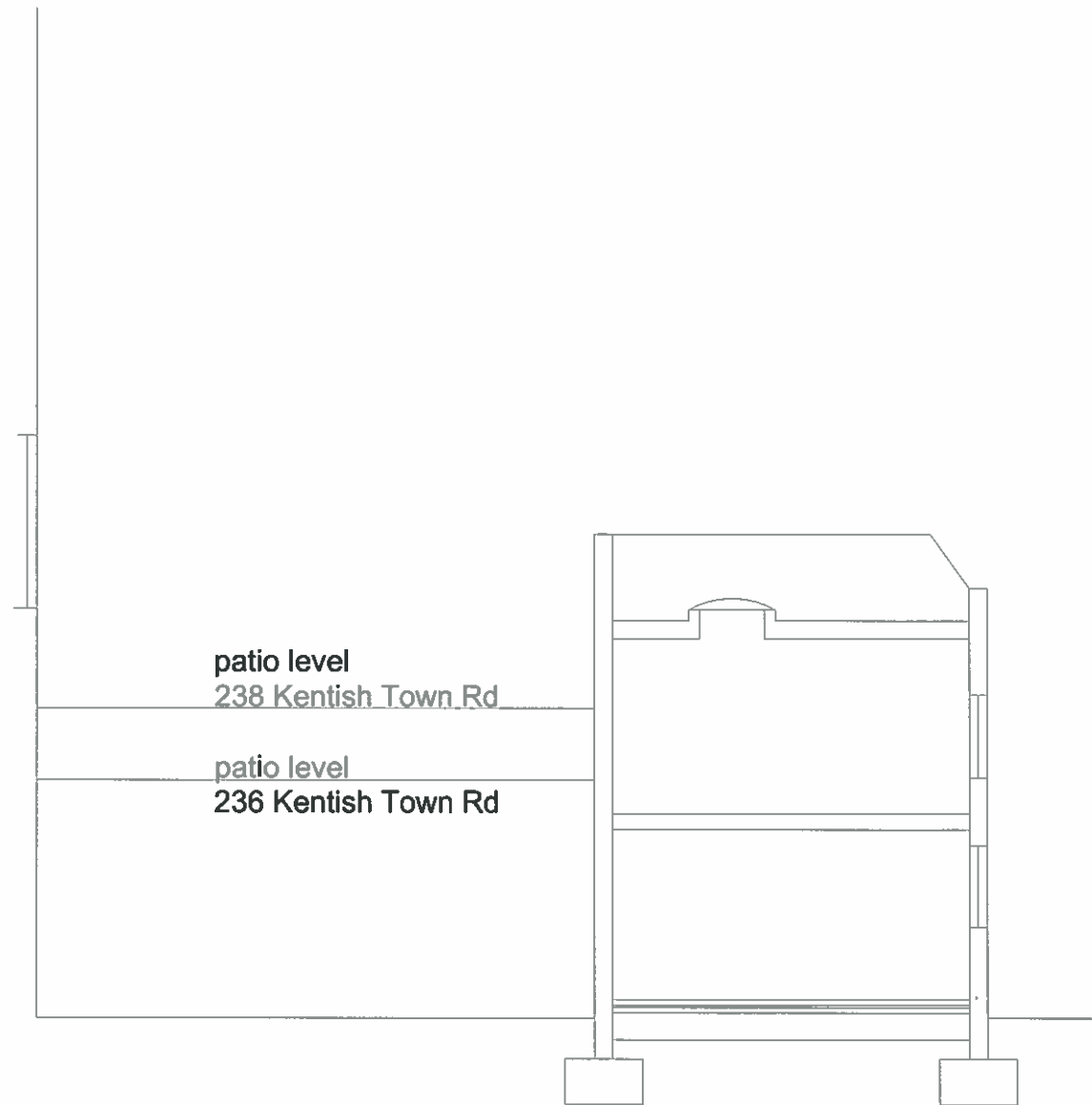


ROOF PLAN
No 16

ROOF PLAN
No 17

TITLE	PROPOSED DRAWINGS	ADDRESS	16 & 17 WOLSEY MEWS LONDON, NW5
CLIENT	ANGELANA INVESTMENTS Ltd.	SCALE	1:100 @ A3
		DRAWING NO.	160422/06
		DATE	APRIL 2016
		REV.	



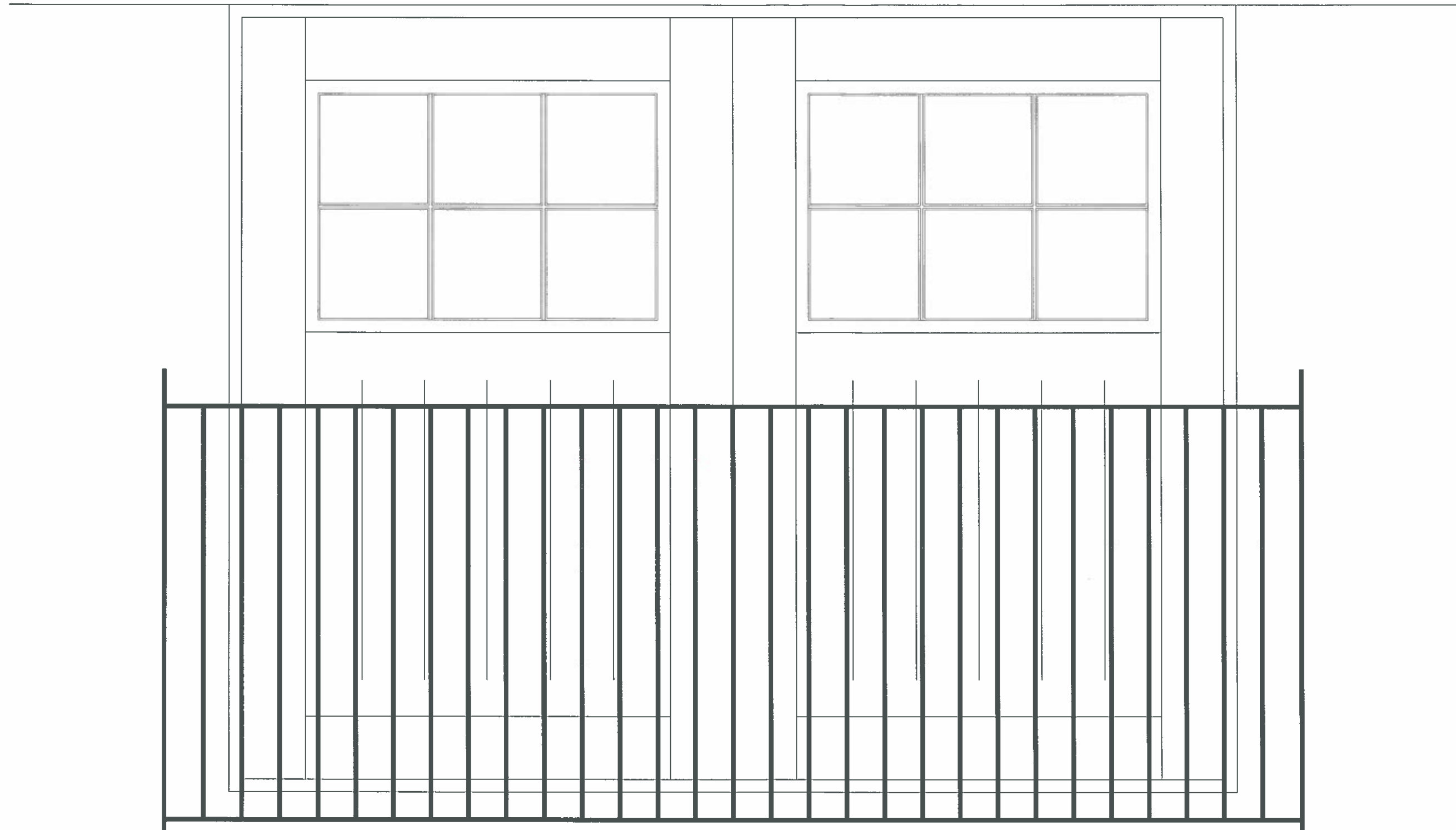


SECTION



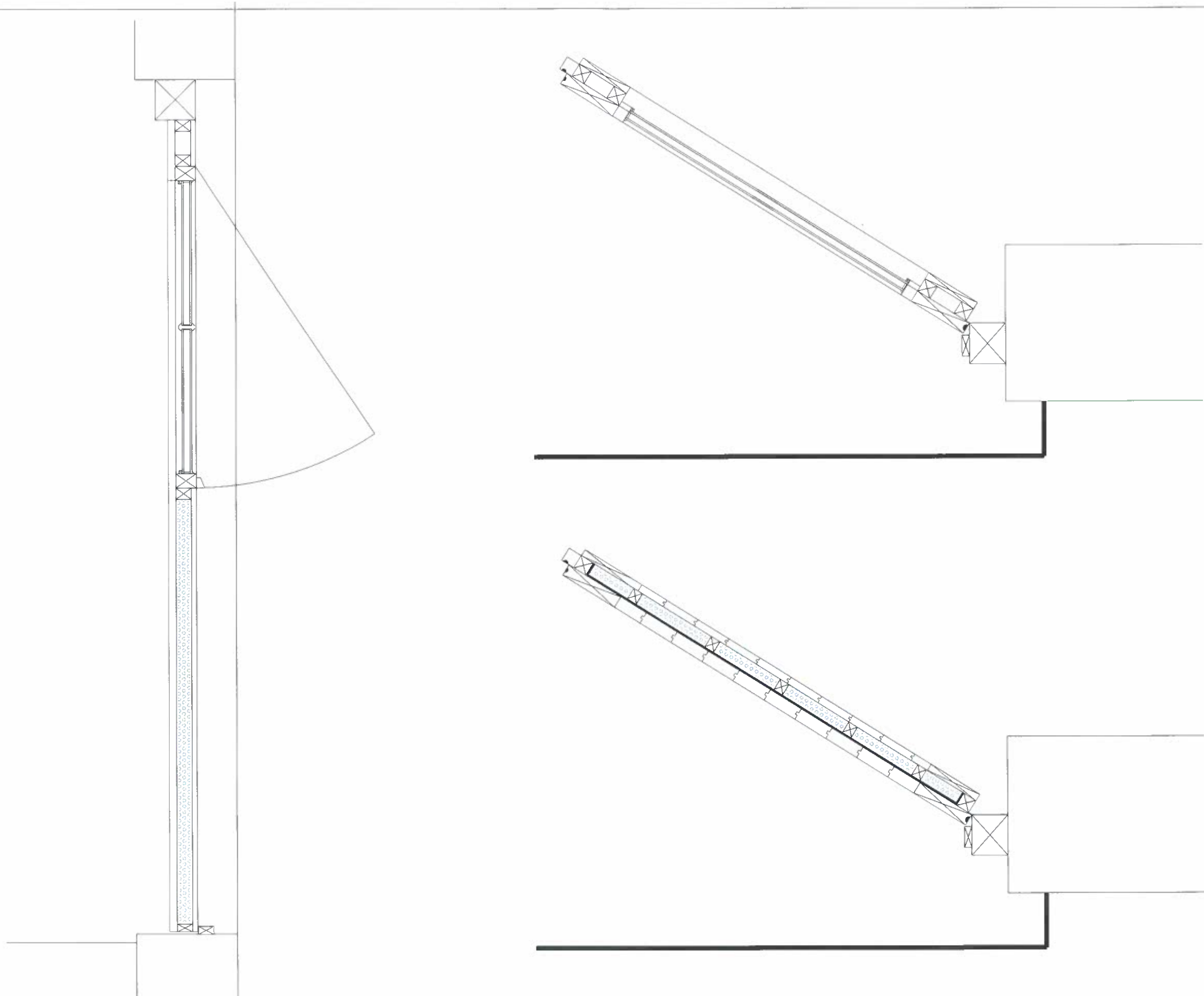
FRONT ELEVATION

TITLE	PROPOSED DRAWINGS	ADDRESS	16 & 17 WOLSEY MEWS LONDON, NW5
CLIENT	ANGELANA INVESTMENTS Ltd.	SCALE	1:100 @ A3
		DRAWING NO.	160422/07
		DATE	APRIL 2016
		REV.	A



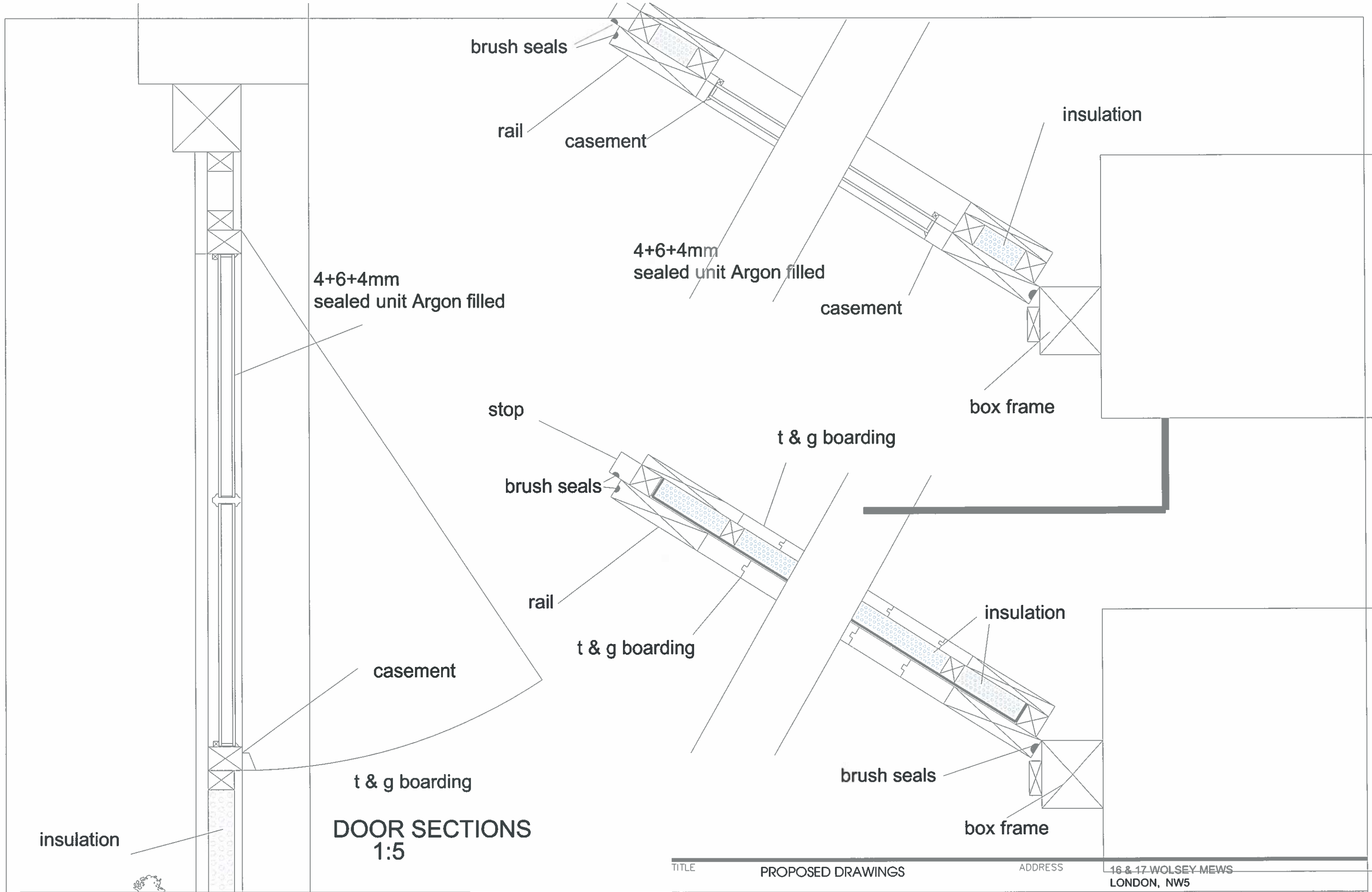
ELEVATION

TITLE	PROPOSED DRAWINGS	ADDRESS	16 & 17 WOLSEY MEWS LONDON, NW5
CLIENT	ANGELANA INVESTMENTS Ltd.	SCALE	1:10 @ A3
		DRAWING NO.	160422/08
		DATE	APRIL 2016
		REV.	A

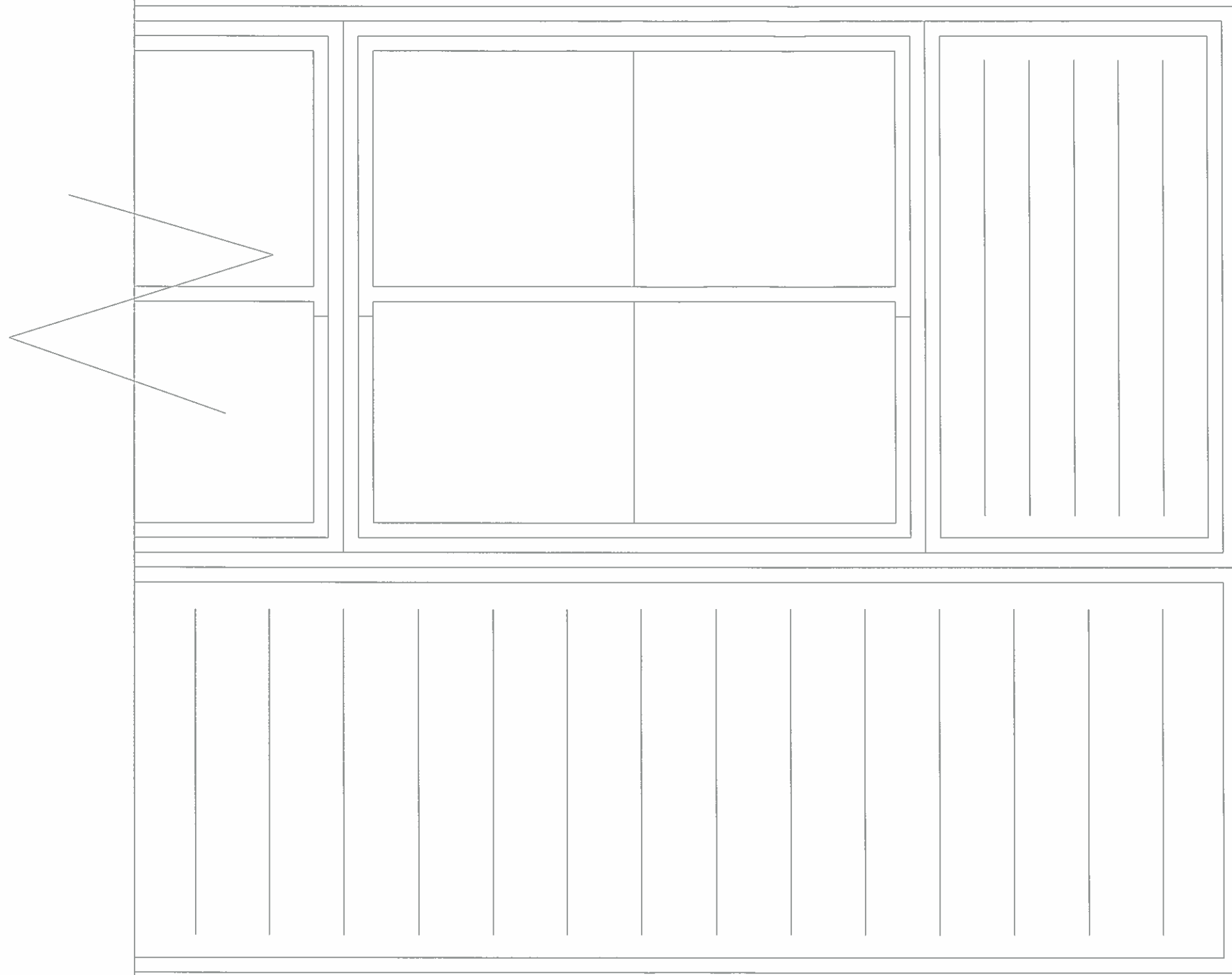


DOOR SECTIONS

TITLE	PROPOSED DRAWINGS	ADDRESS	16 & 17 WOLSEY MEWS LONDON, NW5
CLIENT	ANGELANA INVESTMENTS Ltd.	SCALE	1:10 @ A3
		DRAWING NO.	160422/09
		DATE	APRIL 2016
		REV.	A

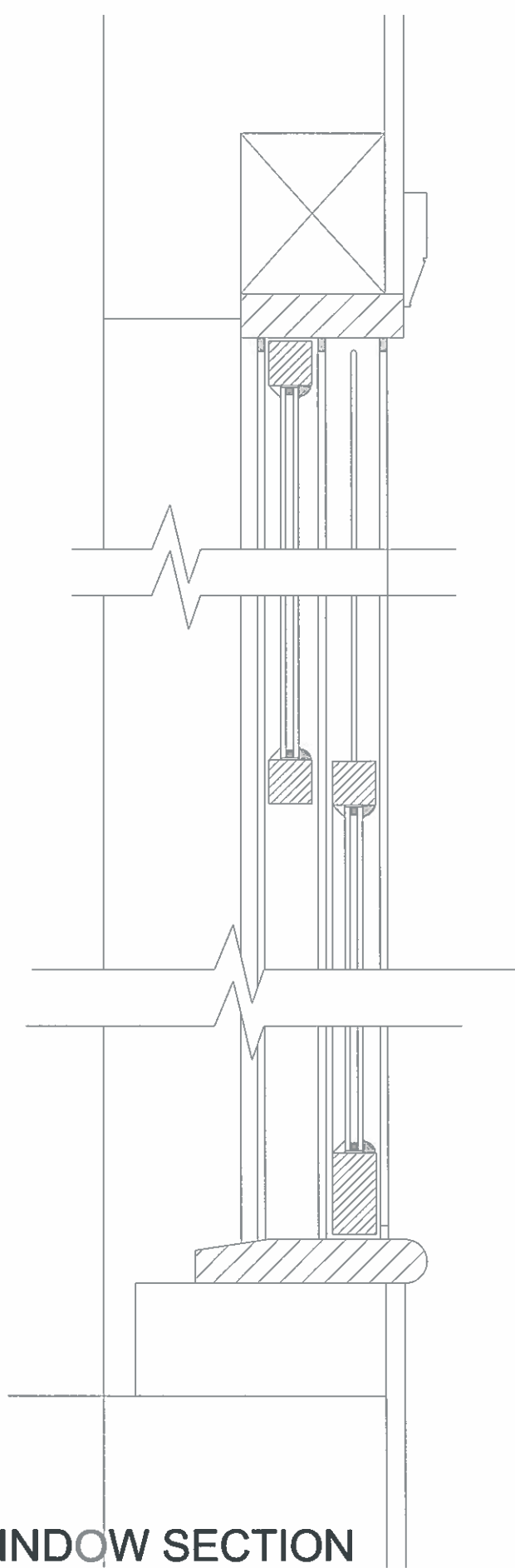


TITLE	PROPOSED DRAWINGS	ADDRESS	16 & 17 WOLSEY MEWS LONDON, NW5
CLIENT	ANGELANA INVESTMENTS Ltd.	SCALE	1:5 @ A3
		DRAWING NO.	160422/10
		DATE	20 APRIL 2006
		REV.	A

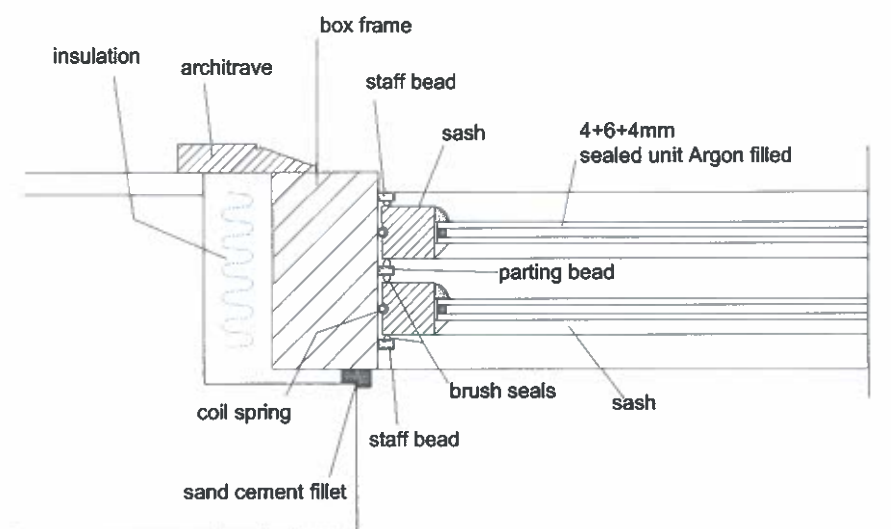


ELEVATION

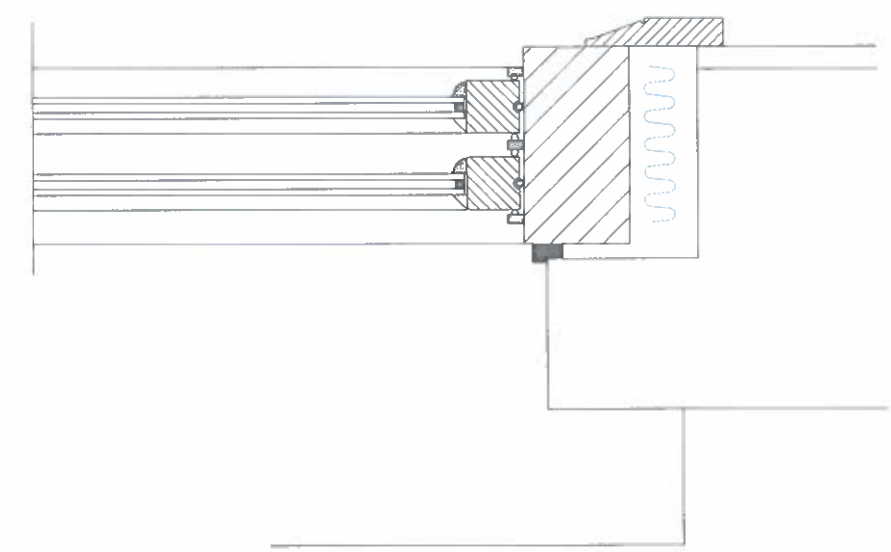
TITLE	PROPOSED DRAWINGS	ADDRESS	16 & 17 WOLSEY MEWS LONDON, NW5
CLIENT	ANGELANA INVESTMENTS Ltd.	SCALE	1:10 @ A3
		DRAWING NO.	160422/11
		DATE	APRIL 2016
		REV.	A



WINDOW SECTION
1:5



WINDOW SECTION
1:5



TITLE	PROPOSED DRAWINGS	ADDRESS	16 & 17 WOLSEY MEWS LONDON, NW5
CLIENT	ANGELANA INVESTMENTS Ltd.	SCALE	1:5 @ A3
		DRAWING NO.	160422/12
		DATE	APRIL 2016
		REV.	A