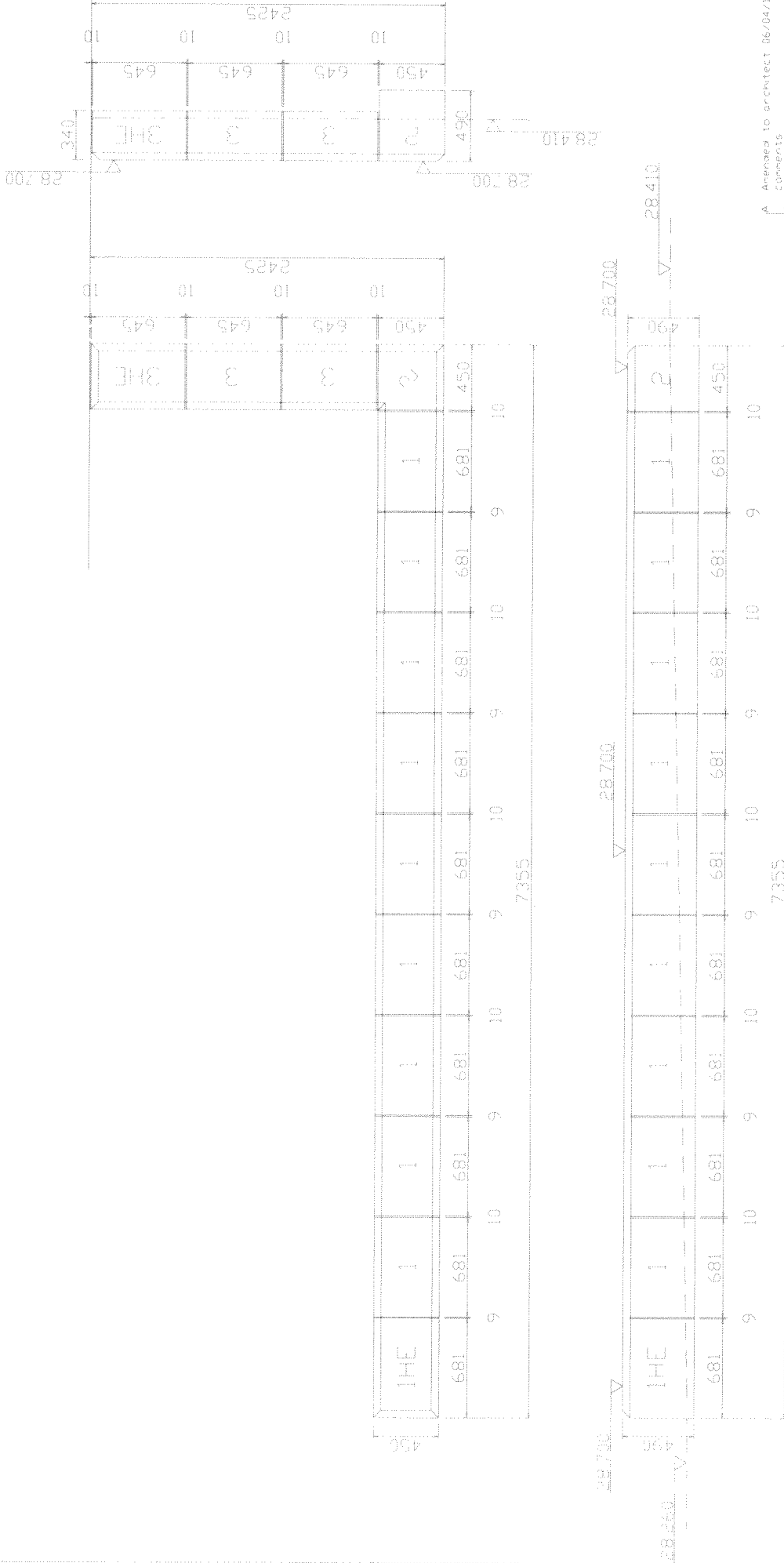


Note  
 1. Check and stability of cast stone units to be determined and designed by a qualified structural engineer.  
 2. Refer to architect's specification.



Revised: A Amended to architect 06/04/16  
 Comments

**CON-TECH**

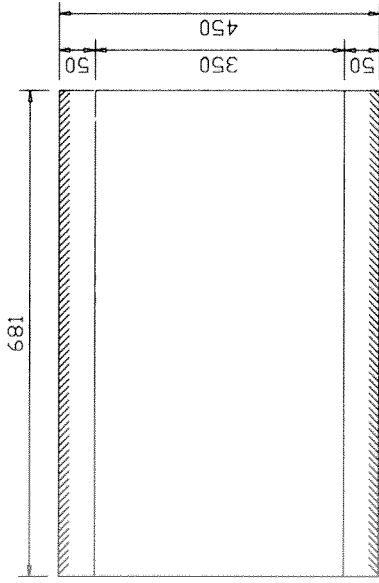
Con-Tech Services Ltd.  
 Oaks Lane, Hoyle Mill, Barnsley,  
 South Yorkshire, S71 1HT  
 Tel: (01226) 244051 Fax: (01226) 247665

Contractor: Life Build Solutions  
 Project: Cavendish School,  
 - Ongar  
 Detail: Point Details

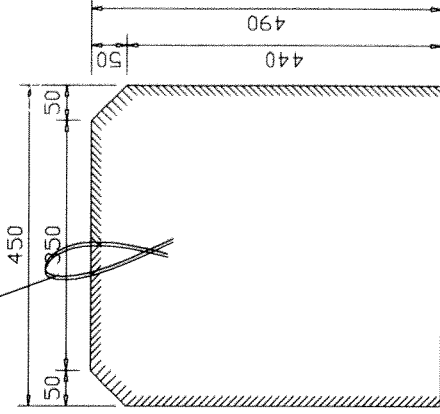
Issue	Drawn	Checked
1/16	Asp. E. Stone	PSJ
2/16	502 - CA01A	22/03/16
3/16		

Note:  
 1. Fixing and stability of cast stone units to be determined and designed by project structural engineer  
 2. DPC to architect's specification

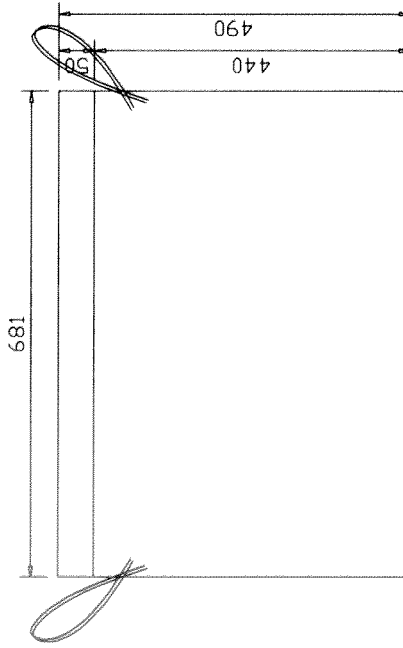
DOUBLE LODDPS, MUST BE LONG ENOUGH TO BE ABOVE TOP LINE OF UNIT FOR EASE OF PLACEMENT



Plan Of Plinth Type 1 (1:10)



Section Of Plinth Type 1 (1:10)



Front Elevation Of Plinth Type 1 (1:10)

Mk No.	WT kg	Quantities	Comments
1	350 kg	9	Plinth to front ramp

Revisions.

**CON-TECH**

Con-Tech Services Ltd.  
 Oaks Lane, Hoyle Mill, Barmaley,  
 South Yorkshire, S71 1HT  
 Tel: (01226) 244051 Fax: (01226) 247665

Contractor.

Life Build Solutions  
 Project: Cavendish School,  
 London

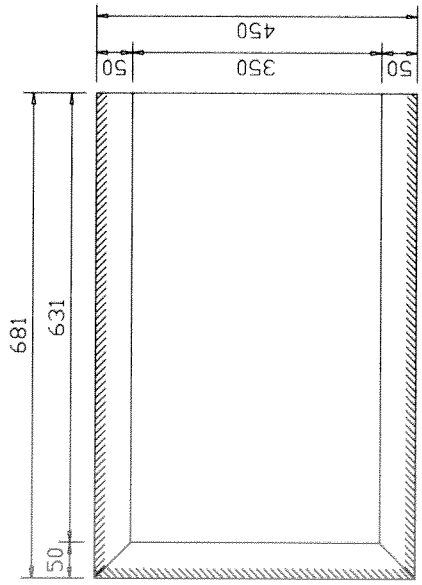
Details: Plinth Details

Scale: 1:10  
 Finish: Acid Etched  
 Drawing No: CT 932-01  
 Date: 21/03/16

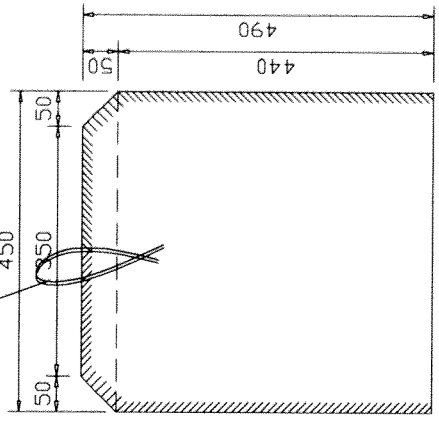
Labour: PS1  
 Drawn By: SJL  
 Checked By:

Note:  
 1. Fixing and stability of cast stone units to be determined and designed by project structural engineer.  
 2. DPC to architect's specification

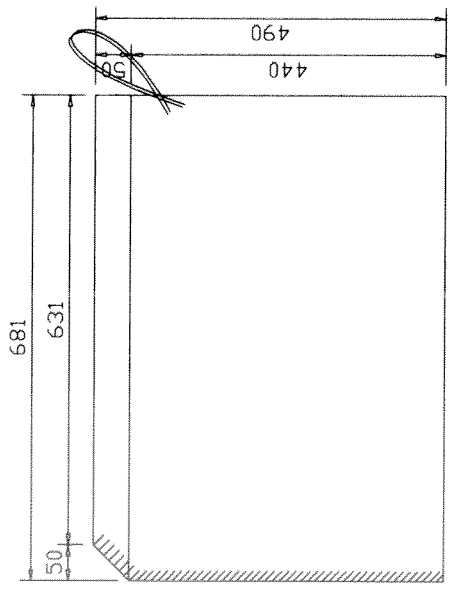
DOUBLE LOOPS, MUST BE LONG ENOUGH TO BE ABOVE TOP LINE OF UNIT FOR EASE OF PLACEMENT



Plan Of Plinth Type 1HE (1:10)



Section Of Plinth Type 1HE (1:10)



Front Elevation Of Plinth Type 1HE (1:10)

Mk No.	WT kg	Quantities	Comments
1HE	350 kg	1	End plinth to front ramp

Revisions.

**CON-TECH**

Con-Tech Services Ltd.  
 Oaks Lane, Hoyle Mill, Bamsley,  
 South Yorkshire, S71 1HT  
 Tel: (01226) 244051 Fax: (01226) 247665

Contractor:

Life Build Solutions  
 Cavendish School,  
 London

Details: Plinth Details

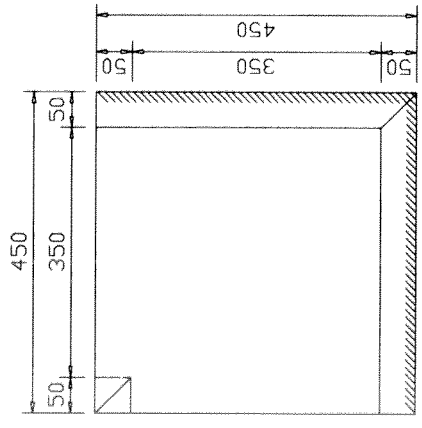
Scale: 1:10  
 Finish: Acid Etched  
 Colour: PSI

Drawing No: CT 932-02  
 Date: 21/03/16

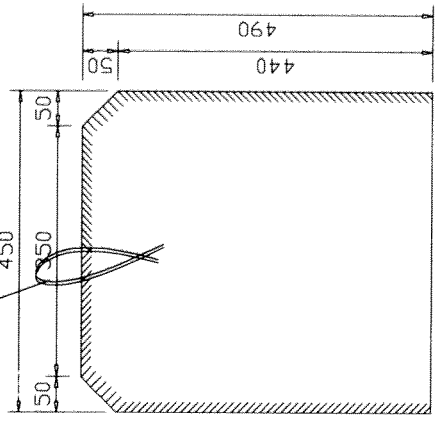
Drawn By: SJL  
 Checked By:

Note:  
 1. Fixing and stability of cast stone units to be determined and designed by project structural engineer.  
 2. DPC to architect's specification

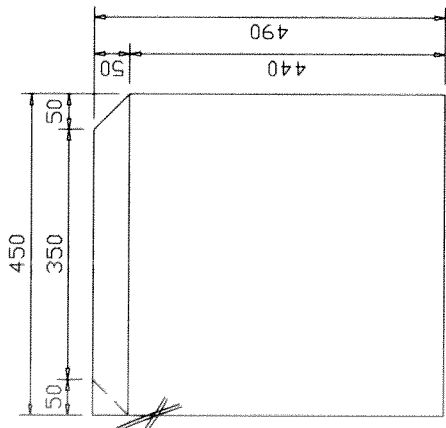
DOUBLE LOOPS MUST BE LONG ENOUGH TO BE ABOVE TOP LINE OF UNIT FOR EASE OF PLACEMENT



Plan Of Plinth Type 2 (1:10)



Section Of Plinth Type 2 (1:10)



Front Elevation Of Plinth Type 2 (1:10)

Mk No.	WT kg	Quantities	Comments
2	235 kg	1	Corner plinth to front ramp

Revisions:

**CON-TECH**

Con-Tech Services Ltd.  
 Oaks Lane, Hoyle Mill, Barnsley,  
 South Yorkshire, S71 1HT  
 Tel: (01226) 244051 Fax: (01226) 247665

Contractor:

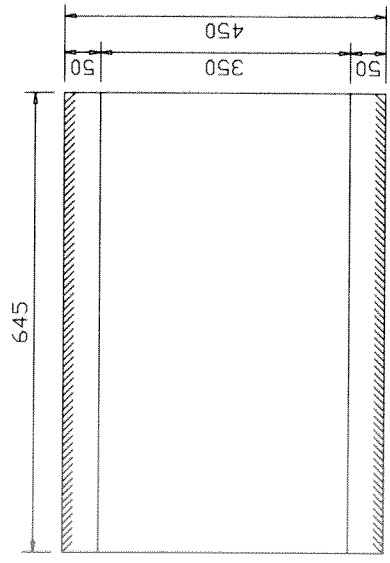
Life Build Solutions  
 Project: Cavendish School,  
 London

Details: Plinth Details

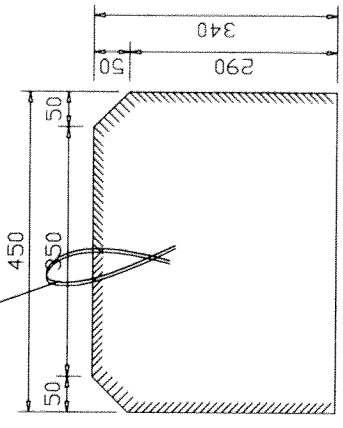
Scale:	Finish:	Colour:
1:10	Acid Etched	PS1
Drawing No.	Date:	
CT 932-03	21/03/16	
Drawn By:	Checked By:	
SJL		

Note:  
 1. Fixing and stability of cast stone units to be determined and designed by project structural engineer  
 2. DPC to architect's specification

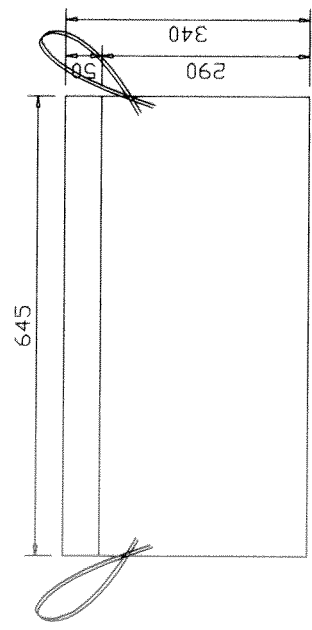
DOUBLE LOOPS, MUST BE LONG ENOUGH TO BE ABOVE TOP LINE OF UNIT FOR EASE OF PLACEMENT



Plan Of Plinth Type 3 (1:10)



Section Of Plinth Type 3 (1:10)



Front Elevation Of Plinth Type 3 (1:10)

Mk No.	WT kg	Quantities	Comments
3	233 kg	2	Plinth to return ramp

Revisions.

**CON-TECH**

Con-Tech Services Ltd.  
 Oaks Lane, Hoyle Mill, Barmaley,  
 South Yorkshire, S71 1HT  
 Tel: (01226) 244051 Fax: (01226) 247665

Contractor.

Life Build Solutions  
 Project: Cavendish School,  
 London

Details: Plinth Details

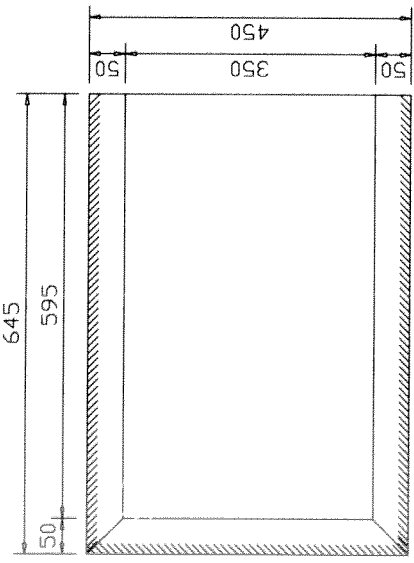
Scale: 1:10  
 Finish: Acid Etched  
 Colour: PSI

Drawing No. CT 932-04  
 Date: 21/03/16

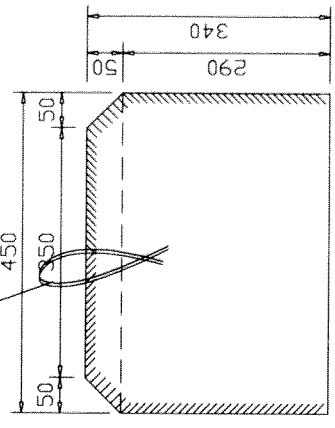
Drawn By: SJL  
 Checked By:

Note:  
 1. Fixing and stability of cast stone units to be determined and designed by project structural engineer  
 2. DPC to architect's specification

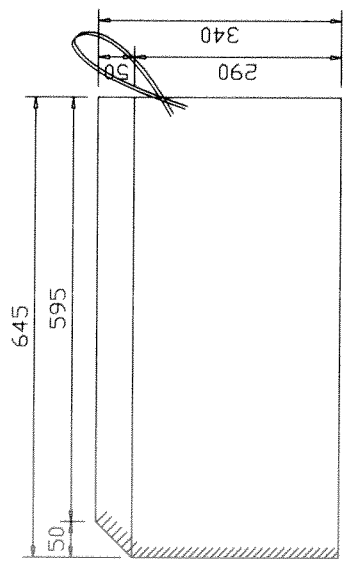
DOUBLE LOOPS, MUST BE LONG ENOUGH TO BE ABOVE TOP LINE OF UNIT FOR EASE OF PLACEMENT



Plan Of Plinth Type 3HE (1:10)



Section Of Plinth Type 3HE (1:10)



Front Elevation Of Plinth Type 3HE (1:10)

Mk No.	WT kg	Quantities	Comments
3HE	233 kg	1	End plinth to return ramp

Revisions.

**CON-TECH**

Con-Tech Services Ltd.  
 Oaks Lane, Hoylic Mill, Barnsley,  
 South Yorkshire, S71 1HT  
 Tel: (01226) 244051 Fax: (01226) 247665

Contractor.

Life Build Solutions  
 Project: Cavendish School,  
 London

Details: Plinth Details

Scale: 1:10  
 Finish: Acid Etched  
 Colour: PSI

Drawing No. CT 932-05  
 Date: 21/03/16

Drawn By: SJL  
 Checked By: