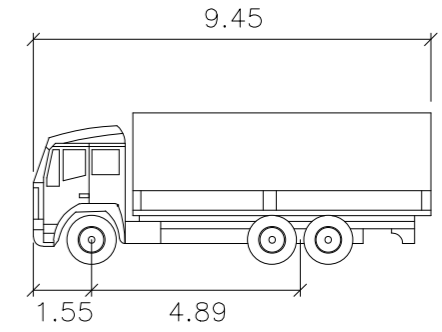



Continuation on to Draw
No ap/02/CharlotteSt63



Much Truck 2
meters
Width : 2.94
Track : 2.50
Lock to Lock Time : 6.0
Steering Angle : 40.0

 Loading Area

Address: 63 Charlotte Street
London
W1T 4PG

Client: CMTF



Drawing Ref.: ap/01/CharlotteSt63

Drawing Title:
Vehicle Path



Date:
April 2016

Rev:

Scale:
NOT TO SACLE