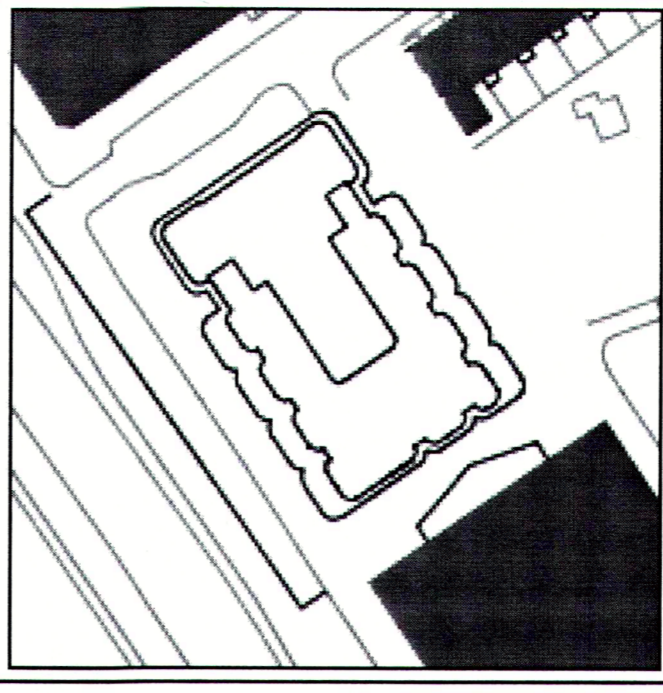


Appendix Q

CDM:

Notes:

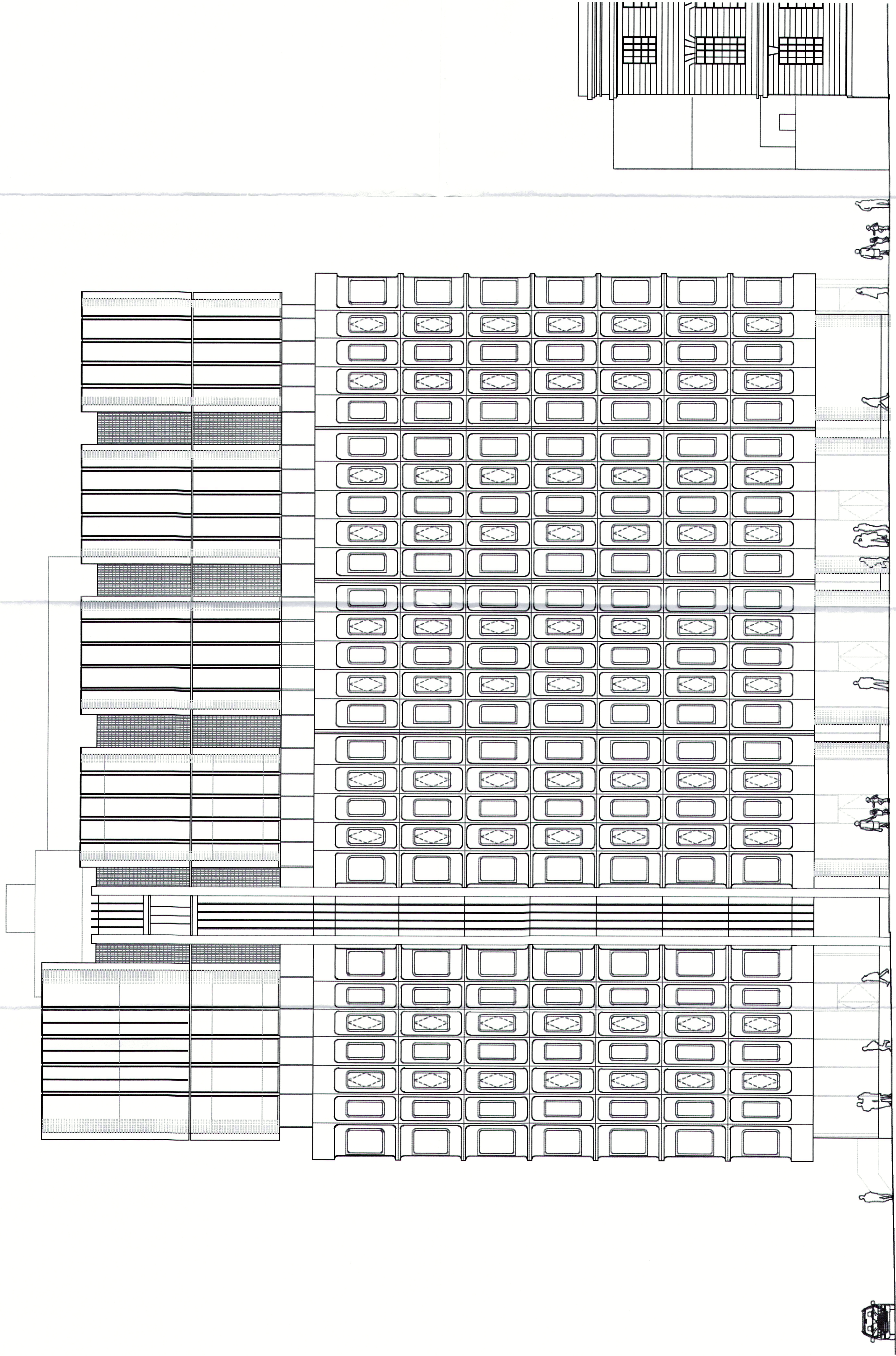


Revision history:

Project: Camden Town Hall
Drawing title: Proposed North Elevation

Scale: 1:100(A1)

Do not scale. All dimensions to be confirmed on site.



ARGYLE STREET

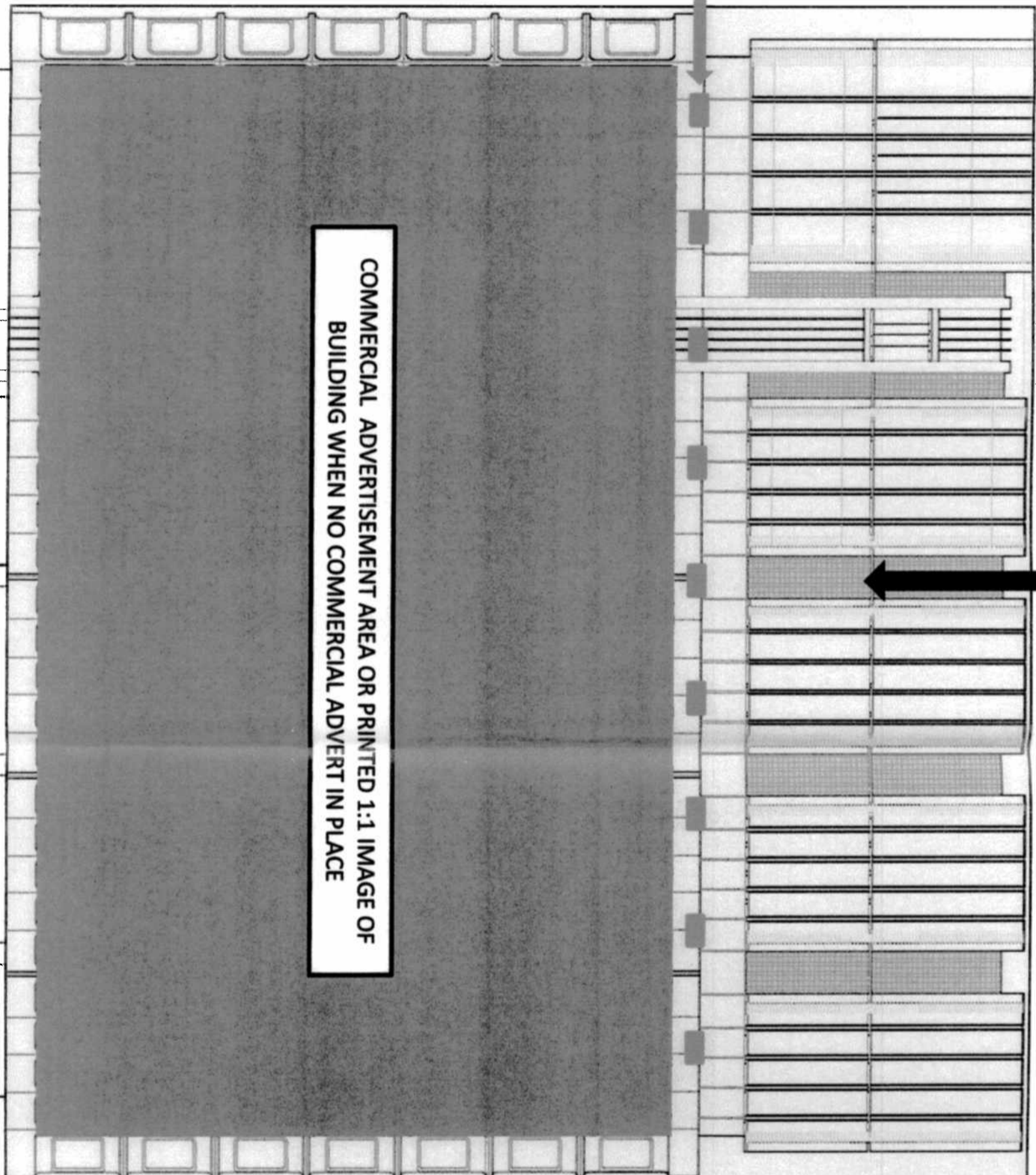


Appendix R

PRINTED 1:1 IMAGE OF BUILDING

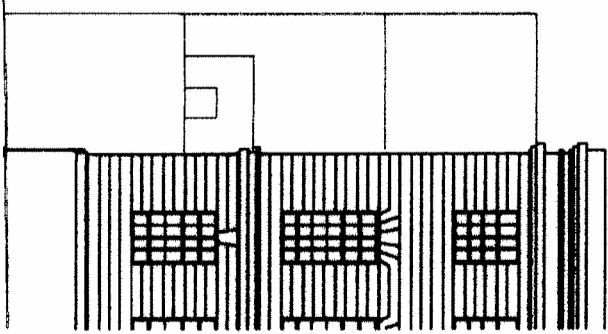
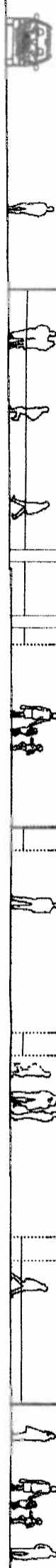


FLOODLIGHT
UNITS



COMMERCIAL ADVERTISEMENT AREA OR PRINTED 1:1 IMAGE OF
BUILDING WHEN NO COMMERCIAL ADVERT IN PLACE

ARGYLE STREET



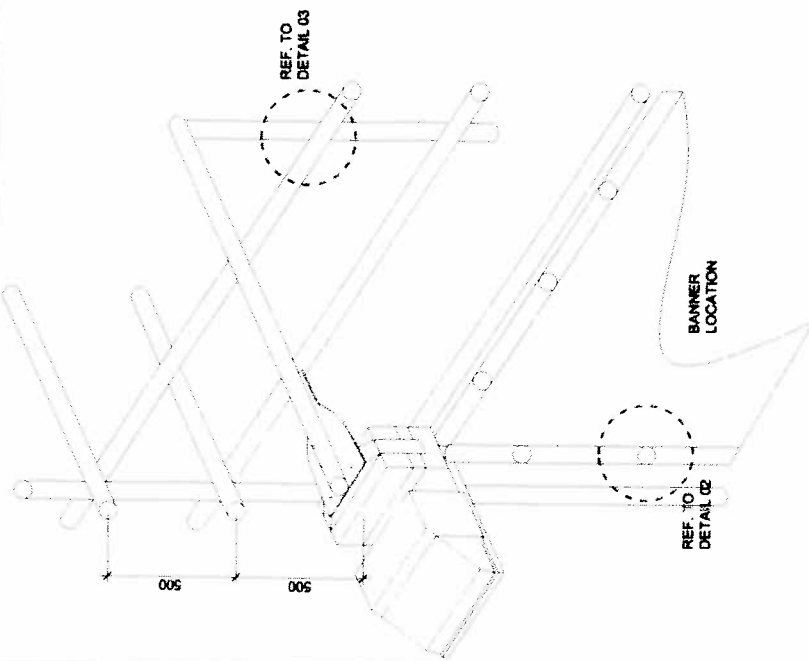
Notes:

Architect: Haskins

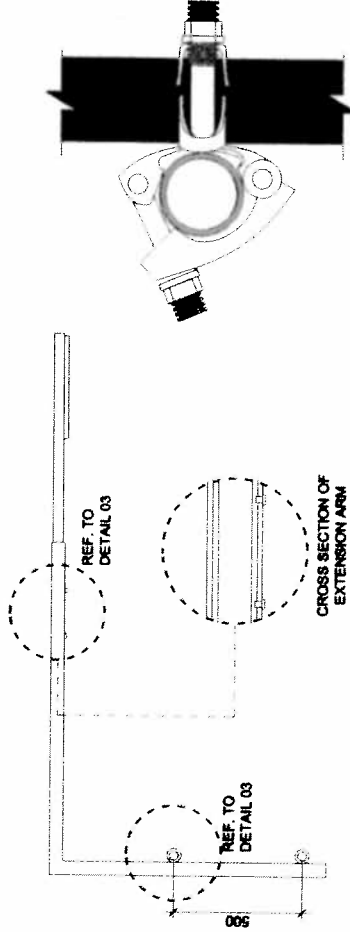
Project: Canadian Town Hall
Drawing title: Proposed North Elevation

Scale: 1:100@A1

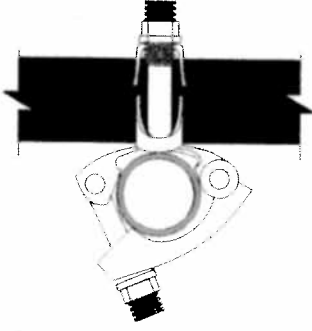
Do not scale. All dimensions to be confirmed on site.



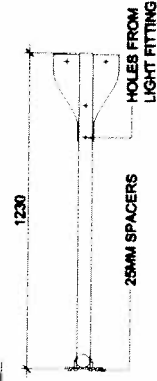
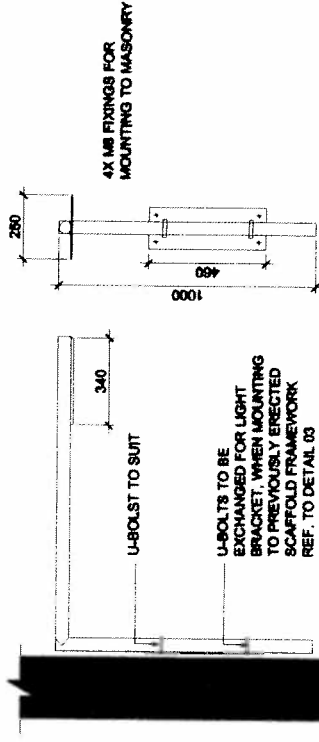
DETAIL 01 - LIGHT MOUNTING
SCALE 1:20



DETAIL 02 - FIXING BANNER TO SCAFFOLDING
SCALE 1:20

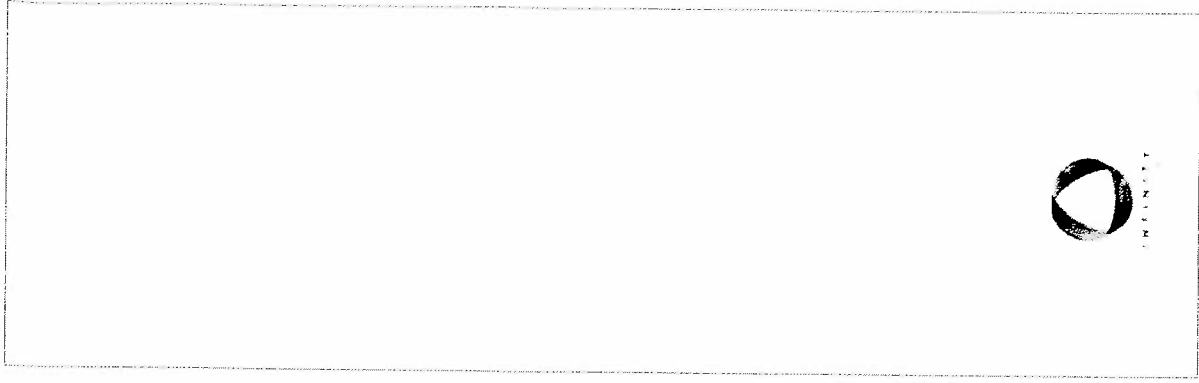


DETAIL 03 - LIGHT BRACKET FIXING METHOD



DETAIL 05
SCALE 1:20

DETAIL 04 - FIXING BANNER TO SCAFFOLDING



PROJECT

TEMPORARY ADVERTISING HOARDING & SITE BOUNDARY IMPROVEMENTS

DATE 13th MAY 2014

SCALE 1:50 @A3

DRAWING NO.

BANNER FIXING DETAILS

Appendix S