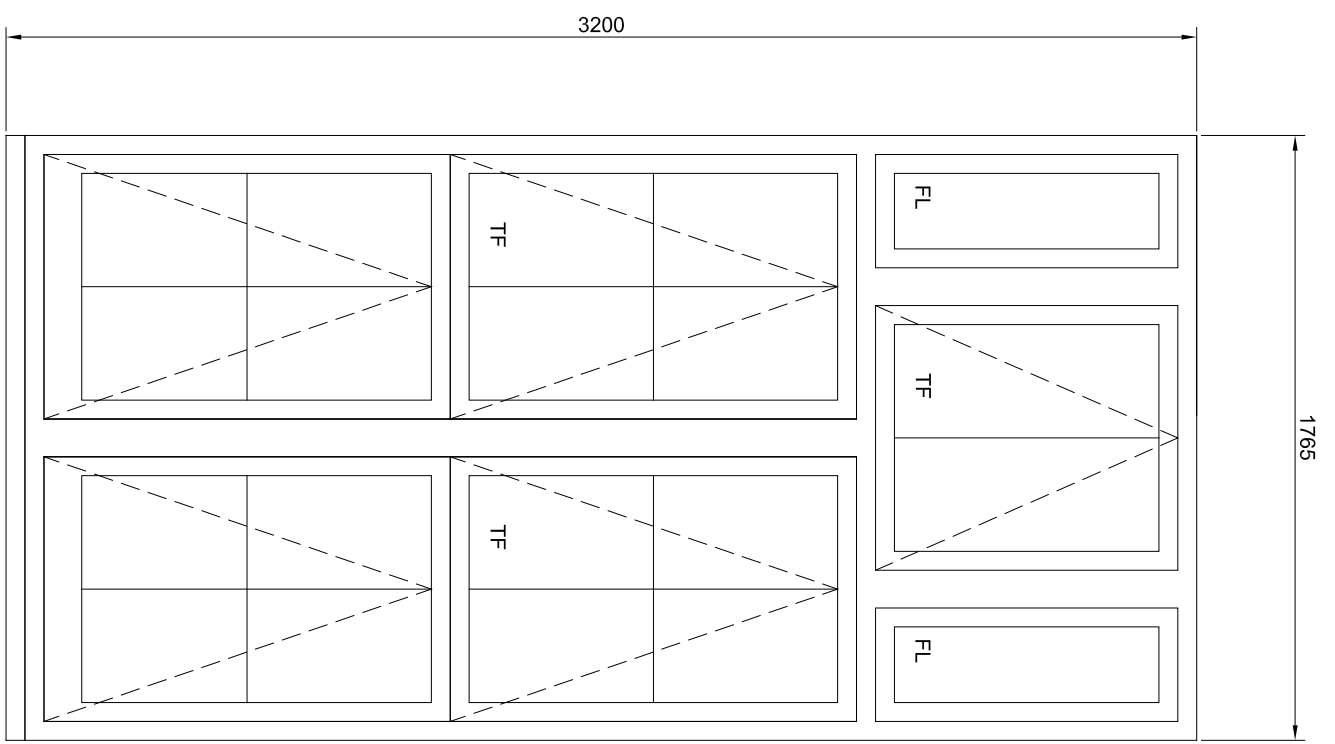
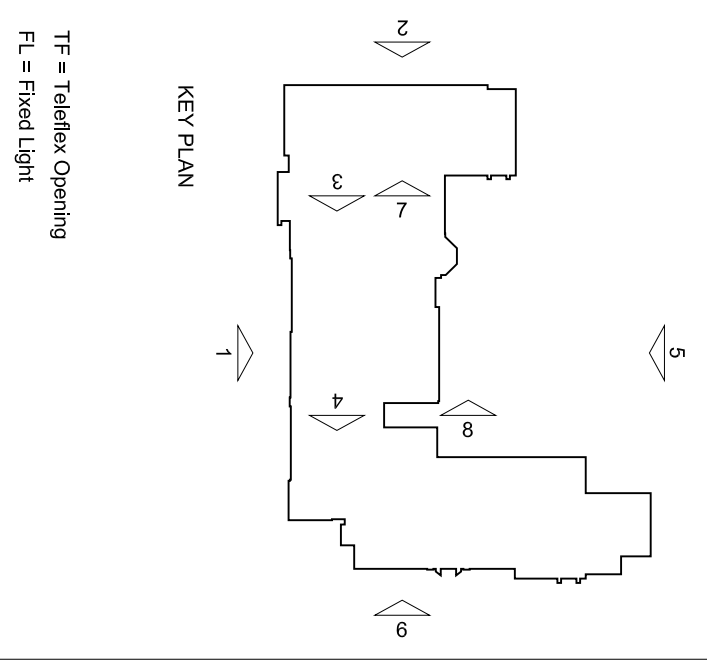
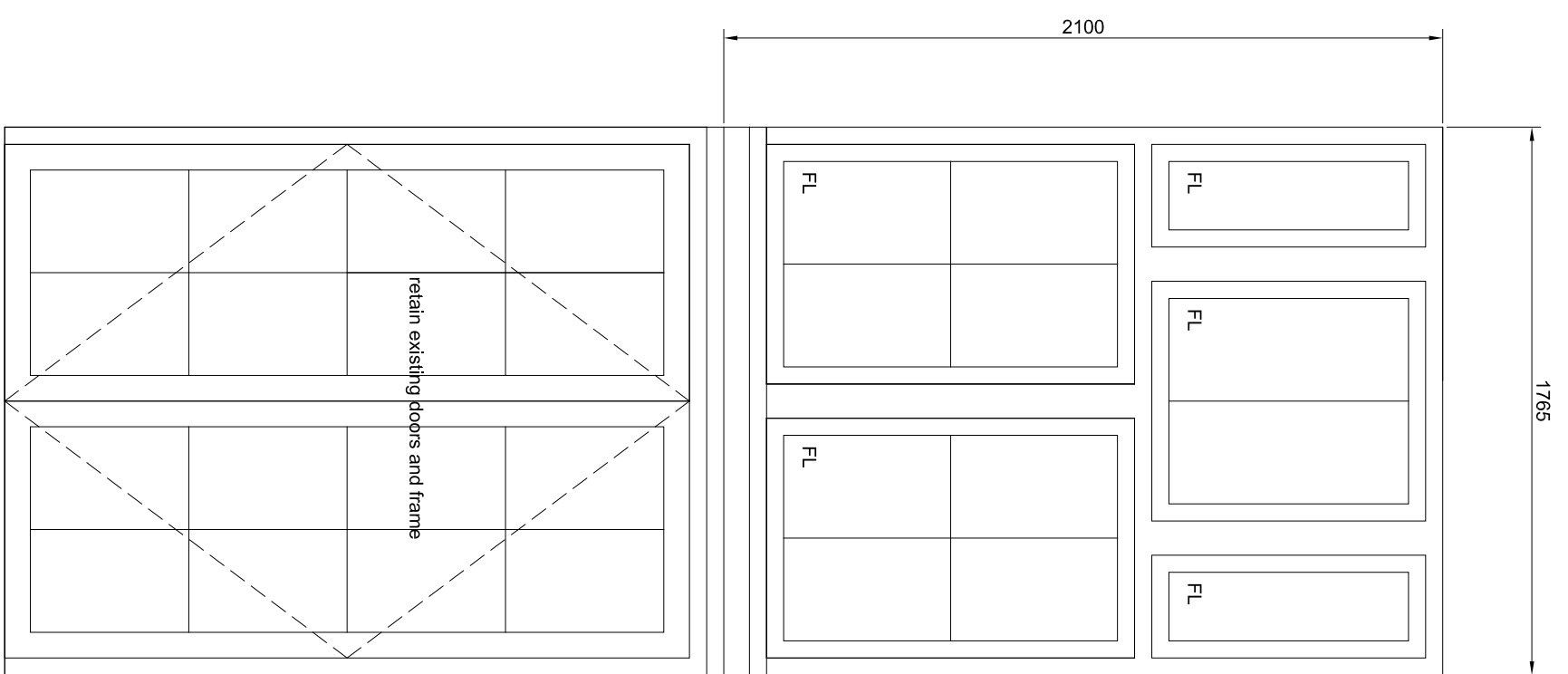


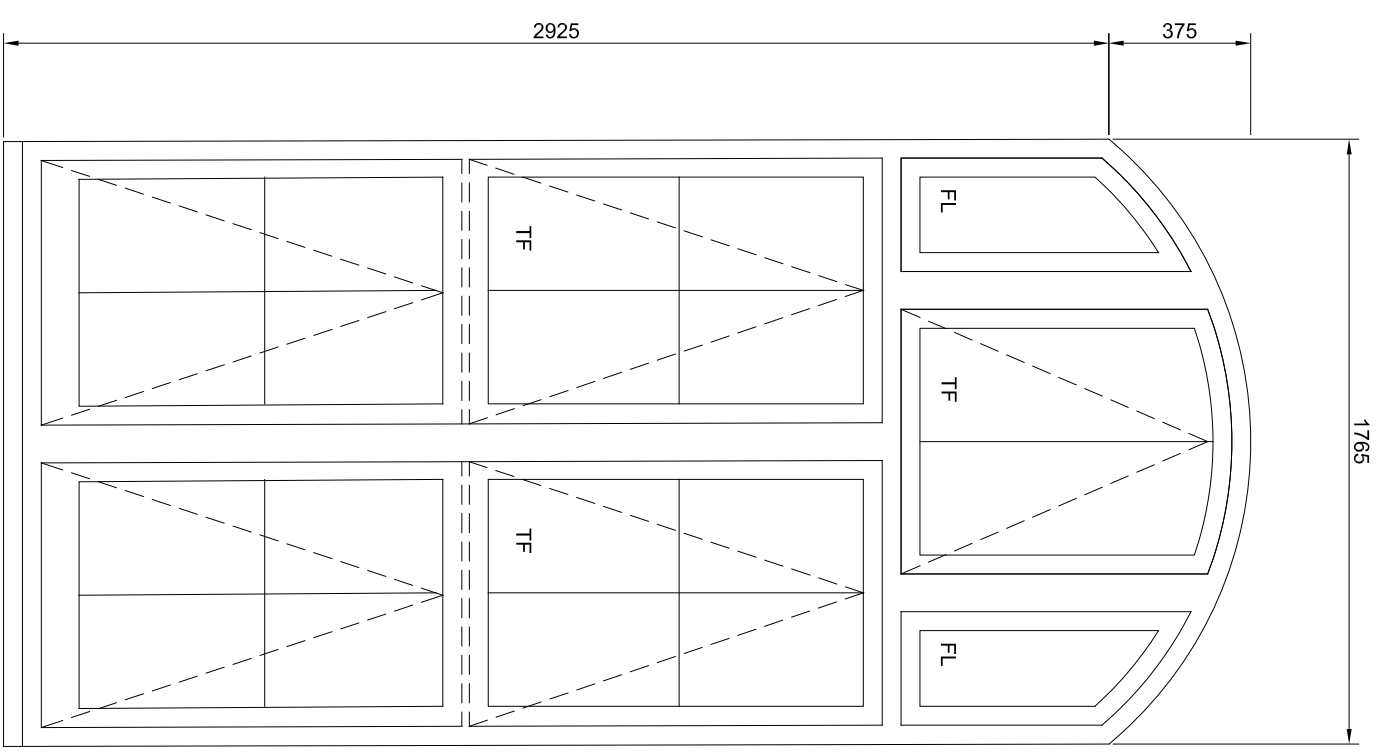
**NOTES:**



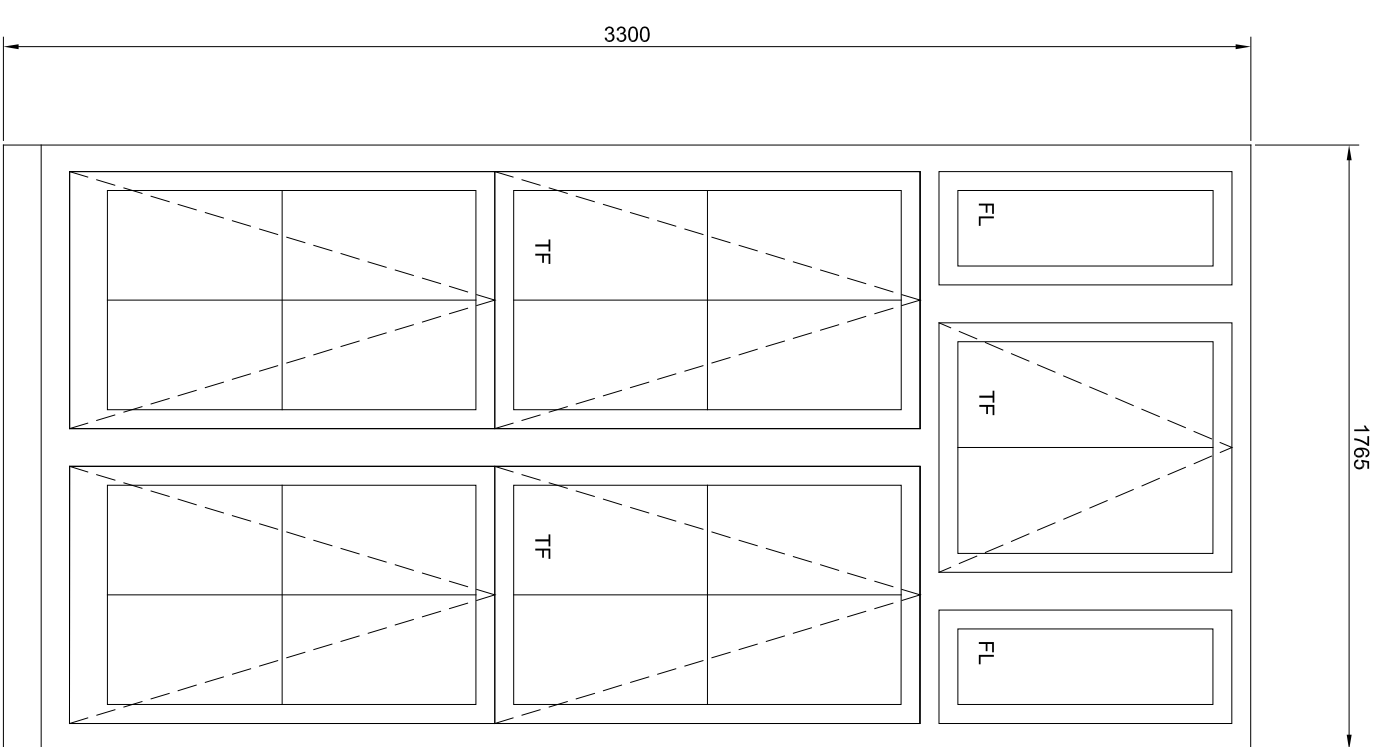
1 Window Type A  
 A104 Scale: 1:20



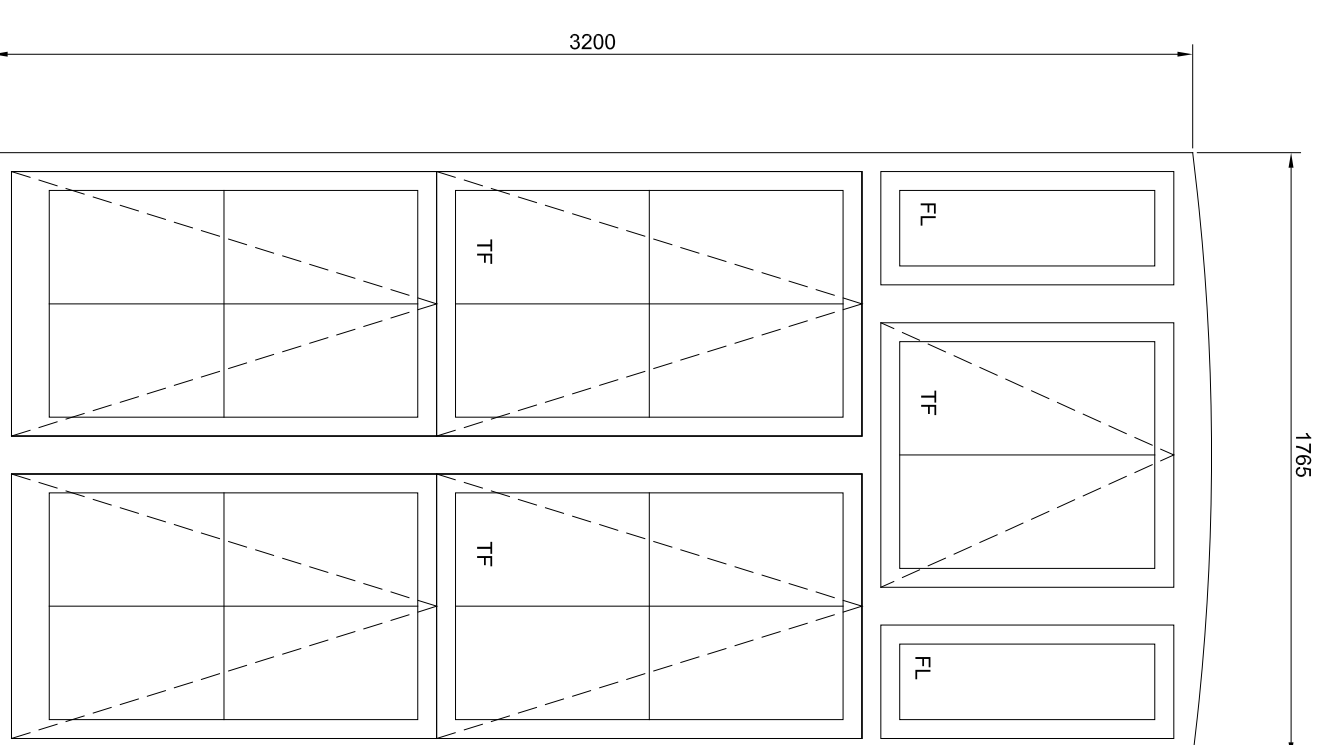
2 Window Type B  
 A104 Scale: 1:20



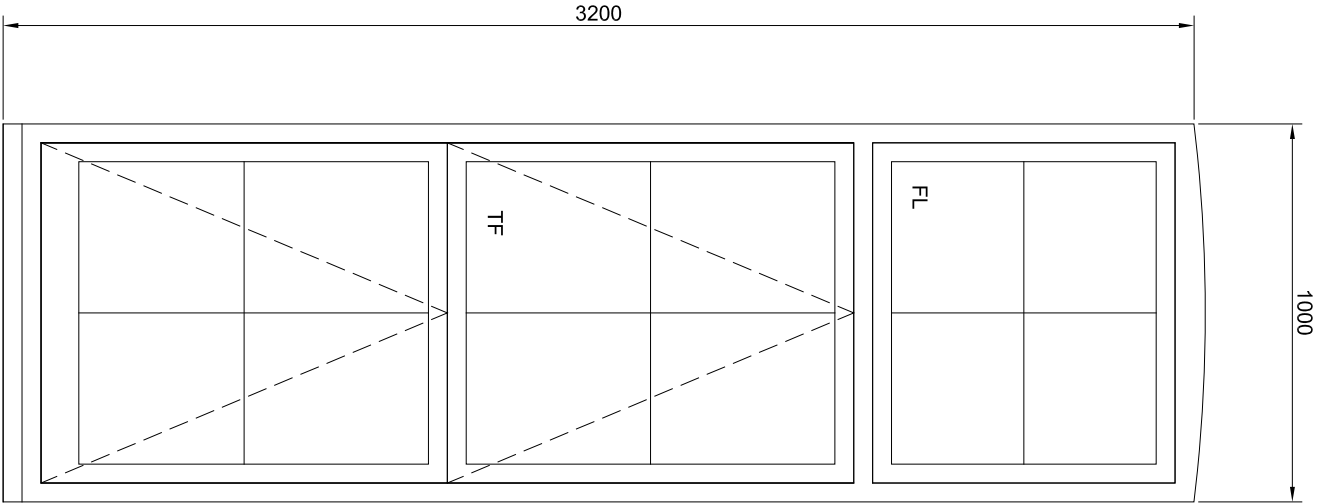
3 Window Type C  
 A104 Scale: 1:20



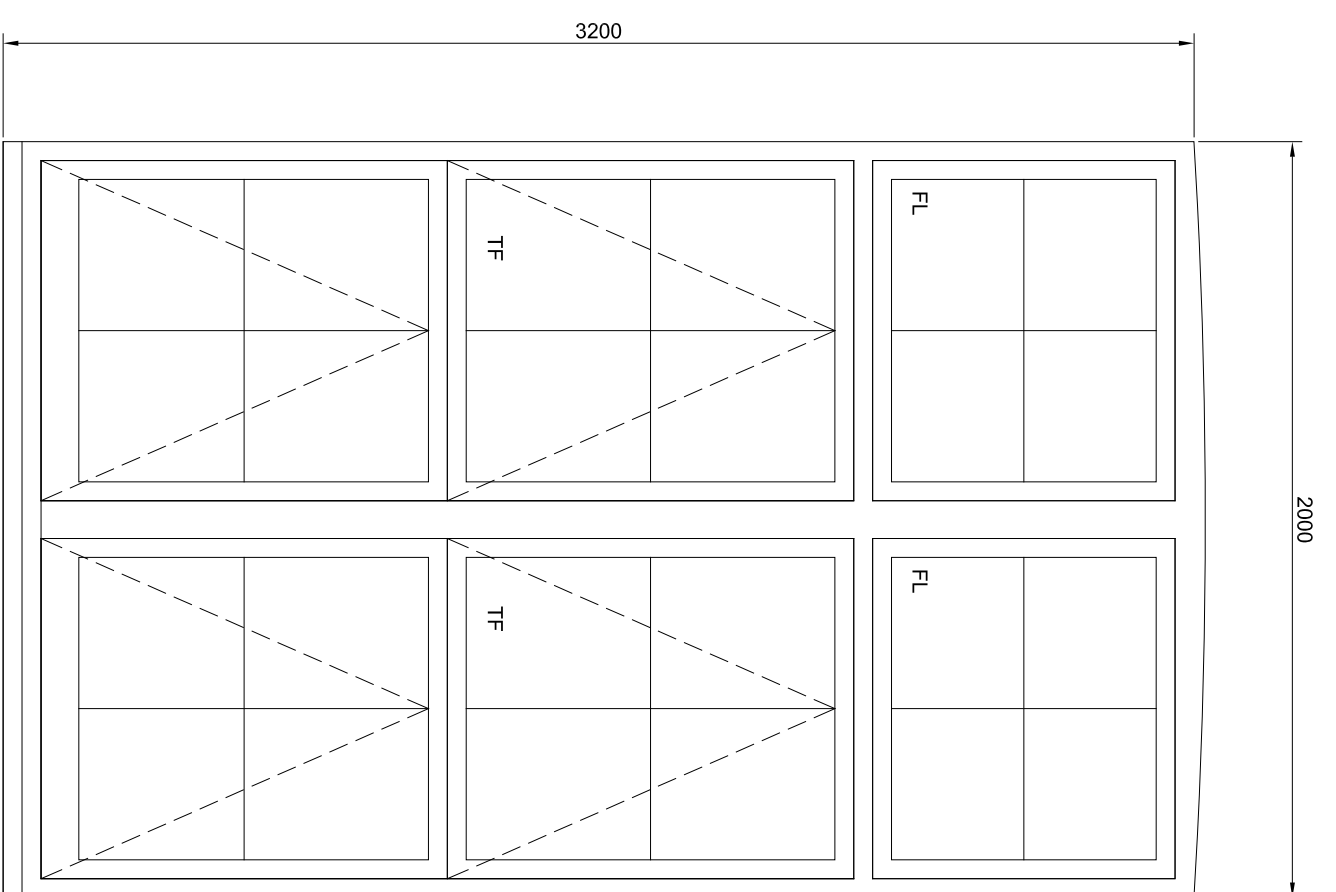
4 Window Type D  
 A104 Scale: 1:20



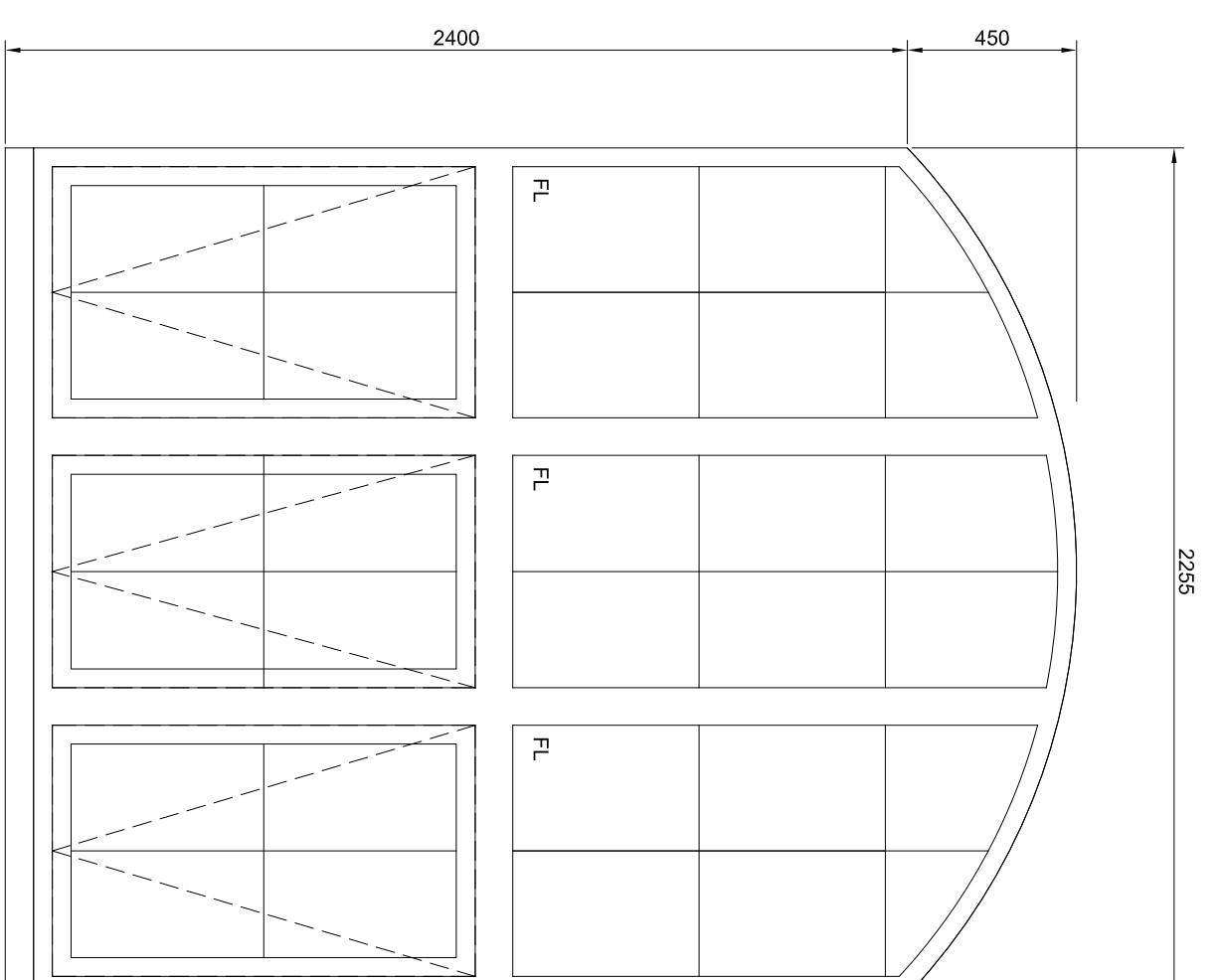
5 Window Type E  
 A104 Scale: 1:20



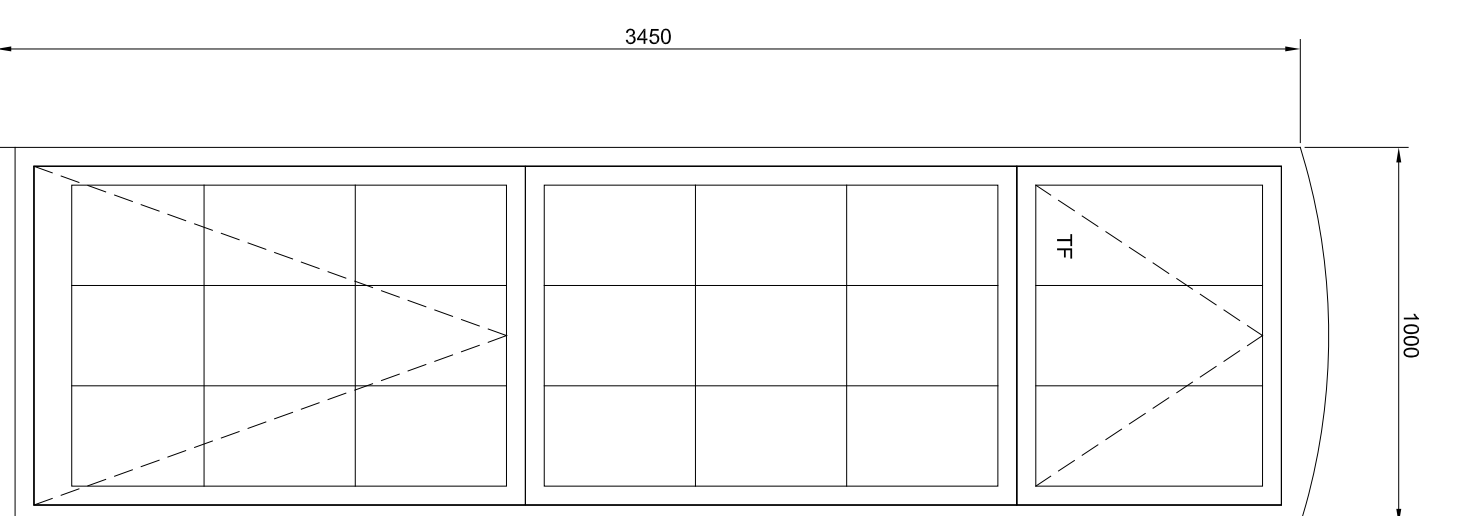
6 Window Type F  
 A104 Scale: 1:20



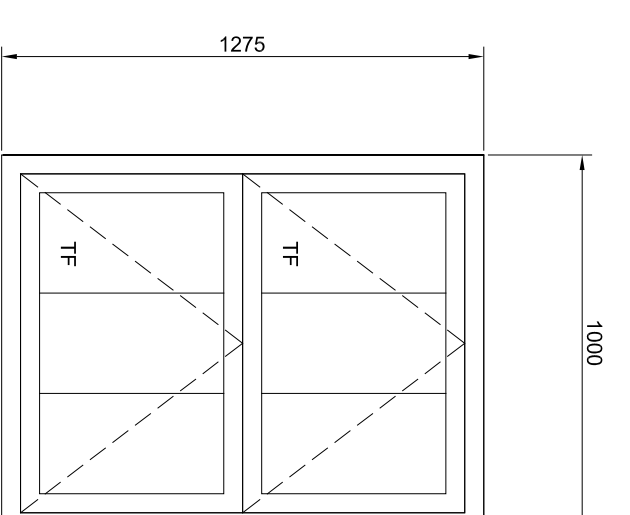
7 Window Type G  
 A104 Scale: 1:20



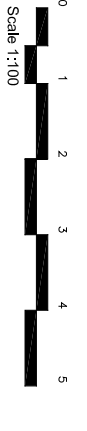
8 Window Type H  
 A104 Scale: 1:20



9 Window Type J  
 A104 Scale: 1:20



10 Window Type K  
 A104 Scale: 1:20



ARCHITECTS' LAYOUTS

**PinnacleESP**  
 consulting engineers

London Office:  
 Cargo Works, 3rd Floor, 1-2 Hanfords, London,  
 SE1 9PQ

Croydon Office:  
 11 Wren Yard, 119 High Street, Croydon, Surrey,  
 CR0 1QS

Tel: 020 8776 5500 | Fax: 020 8776 5533  
 Email: info@pinnacle-esp.co.uk | Web: www.pinnacle-esp.co.uk

PROJECT:  
**RICHARD COBDEN PRIMARY SCHOOL**

Client:  
**LONDON BOROUGH OF CAMDEN**

Title:  
**WINDOW ELEVATIONS**  
 SHEET 1 OF 3

Scale: 1:20  
 Drawn: LK  
 Date: MAR 16  
 Dwg.No. P3412 A 104

REVISION: