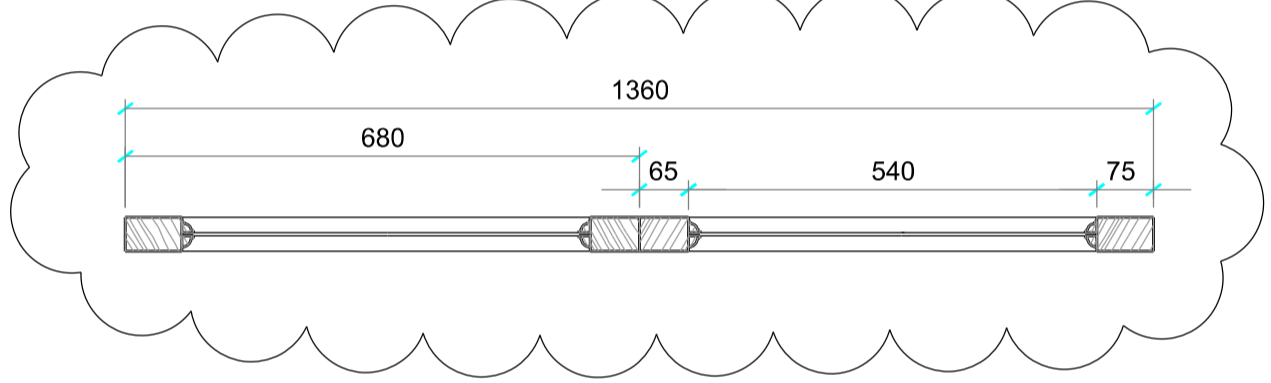
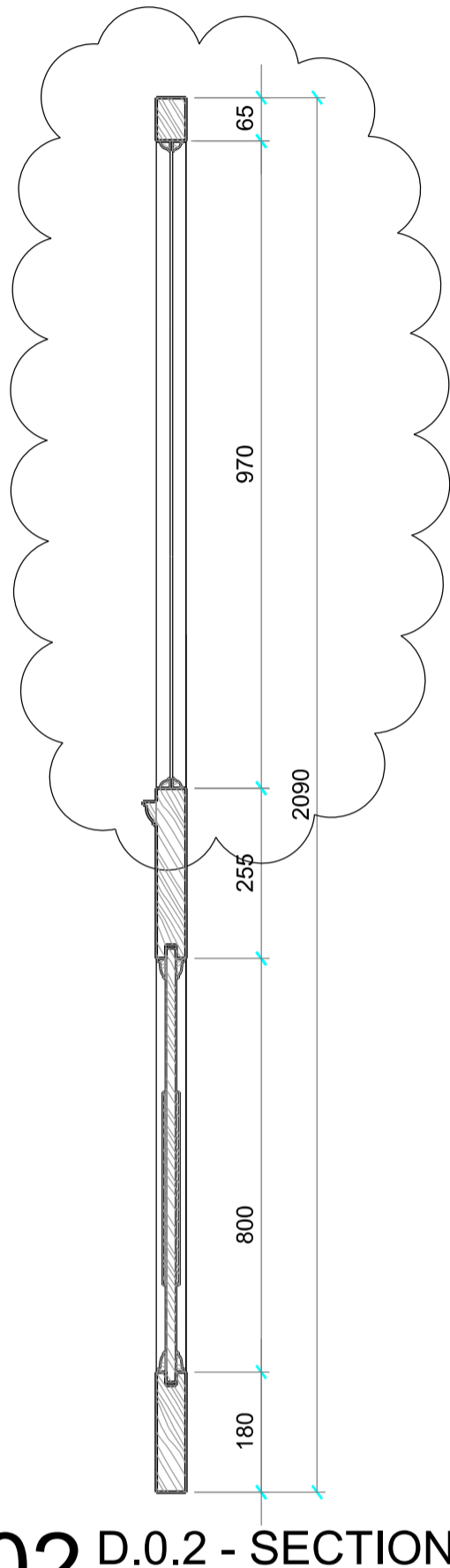
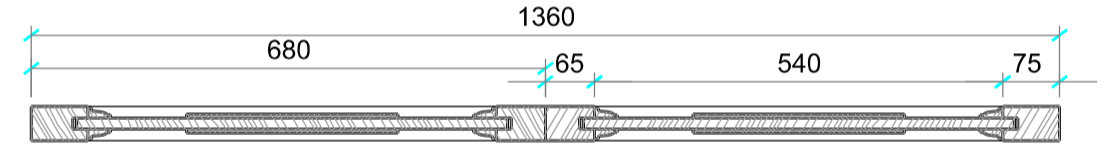


EXISTING TO BE RETAINED AND RESTORED (SHOWN IN GREY)



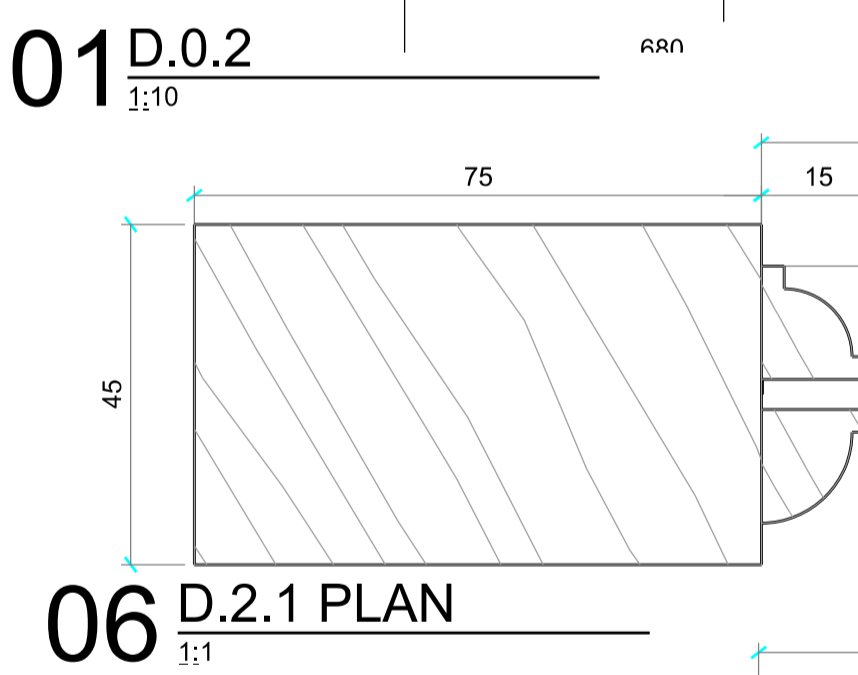
03 D.0.2 - PLAN  
1:10



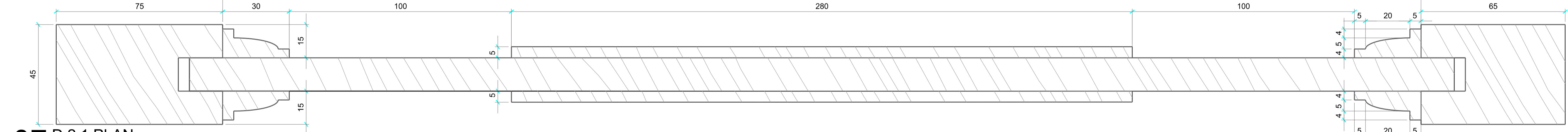
04 D.0.2 - PLAN  
1:10



05 D.0.2



06 D.2.1 PLAN  
1:1



07 D.2.1 PLAN  
1:1

**Disclaimer:**  
Do not scale from this drawing.  
Check all dimensions on site before fabrication or setting out.  
This document is copyright and may not be reproduced without permission of the owner.  
Ordnance Survey data contained herein is for use on this project only.  
Third parties involved in this project wishing to reproduce this data for the purposes of said project, may do so on display of the following:  
© Crown Copyright All rights reserved 2010 License No. 0100031673

**Notes:**  
All dimensions are indicative and must be checked on site.

Rev:	Notes:	Date:	Dwn:	Iss:
00	Construction	11.11.2015	MP	RM
A	Construction	27.11.2015	MP	RM
B	Type Added	07.01.16	MP	RM
C	PLANNING	10.03.2016	MP	RM
D	PLANNING	11.04.2016	MP	RM



**Flanagan Lawrence**  
86 Porchester Road, London W2 6ET, UK  
T +44 (0)20 7706 6166 F +44 (0)20 7706 6266 E info@flanaganlawrence.com

Client:  
SOUTH BLOOM LTD

<b>Project:</b> 6 Bloomsbury Square WC1A 2LP			
<b>Drawing Title:</b> Existing Door Detailing To Be Matched Type I.1			
<b>Drawn By:</b> MP	<b>Issued By:</b> RM	<b>Date of First Issue:</b> 11.11.2015	
<b>Project No:</b> 14-025	<b>Scale @ A1:</b> As Indicated		
<b>Drawing No:</b> A-30-703	<b>Revision:</b> D		